

Models
OLF46-AM
OLF66-AM
OLF86-AM

Installation and User's Guide



We value your feedback!

Your input helps to create even better products and experiences.

Share the warmth and leave a review.

[dimplex.com/sharethewarmth](https://www.dimplex.com/sharethewarmth)

 [YouTube/Dimplex](https://www.youtube.com/Dimplex) 



IMPORTANT SAFETY INFORMATION:

Read this manual first before attempting to install or use this electric fireplace. Always comply with the warnings and safety instructions contained in this manual to prevent personal injury or property damage.

To view the full line of Dimplex products, visit www.dimplex.com

Table of Contents

Welcome	3
⚠ IMPORTANT INSTRUCTIONS	4
Technical Specifications	6
Electrical Rating	6
Product Dimensions	6
Package Contents	7
Installation	9
Placement	9
Preparing the Firebox for Installation	10
Fresh Air Inlets	10
Framing	11
Installation Instructions	12
Water Supply Connection	13
Electrical Installation	14
Heater Hardware Disconnect	16
Flame Baffles	17
Media Arrangement	17
Front Glass Installation	18
Operation	19
General Operation	19
Resetting the Temperature Cutoff Switch	21
Factory Reset	22
Priming the Unit	22
Maintenance	23
Remote Control Battery Replacement	23
Cleaning	23
Transducer Replacement	23
Servicing	23
Troubleshooting	24
Wiring Diagrams	26
Warranty	28

Welcome

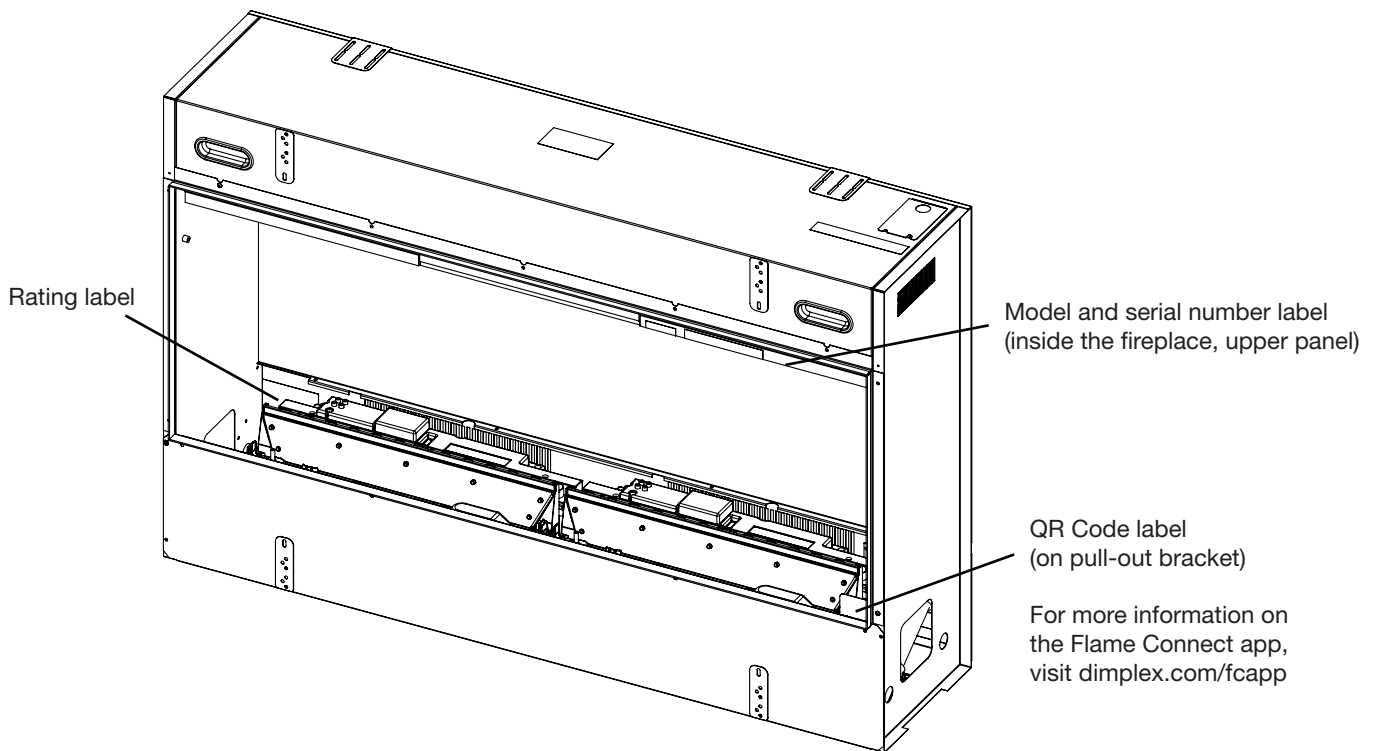
Thank you and congratulations for choosing to purchase a Dimplex fireplace.

Please carefully read and save these instructions.

⚠ WARNING: Read all instructions and warnings carefully before starting installation. Failure to follow these instructions may result in a possible electric shock, fire hazard and will void the warranty.

Please record your model and serial numbers for future reference. Model and serial numbers can be found on the label located at the top right corner inside the fireplace.

Model _____ MOD _____
Serial Number _____



STOP NO NEED TO RETURN TO THE STORE

If you have questions regarding the operation of this product or if you require service, before returning this product to the place of purchase,

Contact us at:  www.dimplex.com/support


For Troubleshooting and Technical Support

OR  **Toll-Free 1-888-346-7539**

Please have your model number and product serial number ready.

IMPORTANT INSTRUCTIONS

When using any electrical appliance, basic precautions should always be followed to reduce the risk of fire, electric shock, and injury to persons. These precautions include:

- ① Read all instructions before using this electric fireplace.
- ② This fireplace is hot when in use. To avoid burns, do not let bare skin touch hot surfaces. The trim around the heater outlet becomes hot during heater operation.
-  **DANGER:** High temperatures may be generated under certain abnormal conditions. Do not partially or fully cover or obstruct the front of the fireplace.
- ③ Extreme caution is necessary when the fireplace is used by or near children or people with disabilities and whenever the fireplace is left operating and unattended.
- ④ Always turn off the fireplace when it is not in use.
- ⑤ Do not operate the fireplace after it malfunctions, has been dropped, or damaged in any manner. Disconnect power at the service panel and have the fireplace inspected by a reputable electrician before using.
- ⑥ Do not operate any unit with a damaged cord or if the heater has malfunctioned, or if the heater has been dropped or damaged in any manner, contact Glen Dimplex Americas Technical Service at 1-888-346-7539.
- ⑦ Do not use this fireplace outdoors.
- ⑧ Never locate the fireplace where it may fall into a bathtub or other water container.

- ⑨ To disconnect the heater, turn the unit off with the controls and turn off the power to the heater circuit at the main disconnect panel.
 - ⑩ Do not insert or allow foreign objects to enter any ventilation or exhaust opening as this may cause an electric shock, fire, or damage to the fireplace.
 - ⑪ To prevent a possible fire, do not block air intakes or exhaust in any manner.
 - ⑫ All electrical heaters have hot and arcing or sparking parts inside. Do not use it in areas where gasoline, paint, or flammable liquids are used or stored.
 - ⑬ Do not modify this fireplace. Use it only as described in this manual. Any other use may cause fire, electric shock, or injury to persons.
 - ⑭ Always use a certified electrician should new circuits or outlets be required.
 - ⑮ Always use properly grounded, fused and polarized outlets.
 - ⑯ Disconnect all power coming to the fireplace at the main service panel before performing any cleaning, maintenance, or relocation of the unit.
 - ⑰ When transporting or storing the fireplace, keep it in a dry place, free from excessive vibration, and store to avoid damage.
 - ⑱ Regular cleaning and maintenance is required to ensure safe and correct operation.
- ! NOTE:** Changes or modifications not expressly approved by the party responsible for compliance could void user's authority to operate the equipment.

SAVE THESE INSTRUCTIONS



CAUTION
RISK OF ELECTRIC SHOCK
DO NOT OPEN
NO USER-SERVICEABLE PARTS INSIDE



IMPORTANT INSTRUCTIONS

FCC Compliance

⚠ CAUTION: This unit has been tested and found to comply with the limits for Class B digital device, pursuant to part 15 of the FCC Rules. These limits are designed to provide reasonable protection against harmful interference in a residential installation. This unit generates, uses and can radiate radio frequency energy and, if not installed and used in accordance with the instructions, may cause harmful interference to radio or television reception, which can be determined by turning the unit OFF and ON, the user is encouraged to try to correct the interference by one or more of the following measures:

Reorient or relocate the receiving antenna.

Increase the separation between the unit and the receiver.

Connect the unit into an outlet on a circuit different from that to which the receiver is connected.

Consult the dealer or an experienced radio/TV technician for help.

This unit complies with Part 15 of the FCC Rules. Operation is subject to the following two conditions: (1) This unit may not cause harmful interference, and (2) this unit must accept any interference received, including interference that may cause undesired operation.

⚠ FCC CAUTION: Any changes or modifications not expressly approved by the party responsible for compliance could void the user's authority to operate this equipment.

⚠ WARNING: This product can expose you to chemicals including nickel which is known to the State of California to cause cancer. For more information, visit www.P65Warnings.ca.gov

Conventions used in this manual:

! NOTE: Procedures and techniques that are considered important enough to emphasize.

⚠ CAUTION: Procedures and techniques which, if not carefully followed, will result in damage to the equipment.

⚠ WARNING: Procedures and techniques which, if not carefully followed, will expose the user to the risk of fire, serious injury, or death.

Technical Specifications

Electrical Rating

Voltage: 120 V (3-Wire) or 240 V (4-Wire)

Power:

Model	120 V	240 V	No heat (120 V)
OLF46-AM	1220 W	1920 W	520 W
OLF66-AM	1480 W	2180 W	760 W
OLF86-AM	1020 W (see note)	2400 W	1020 W

! NOTE: For OLF86-AM, when connected to 120 V, there will be no heat output, but heat functions will be active on the controls with only fans operating.

UL Listing

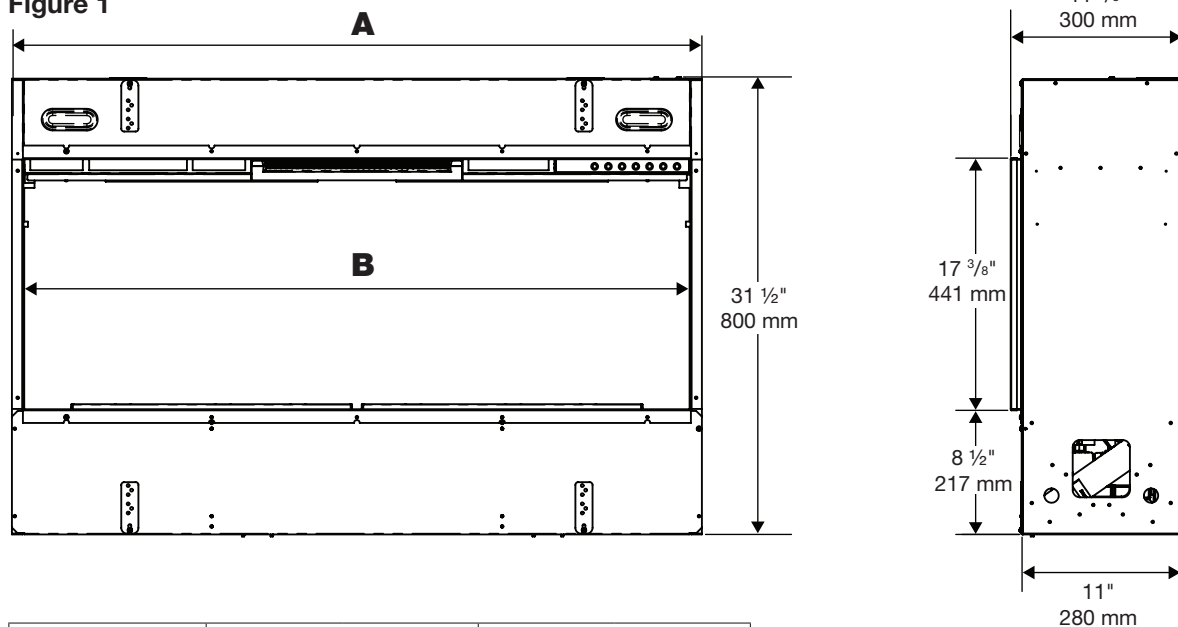
File Number: E71416



Model Reference	
OLF46-AM	6911540100
OLF66-AM	6911540200
OLF86-AM	6911540300

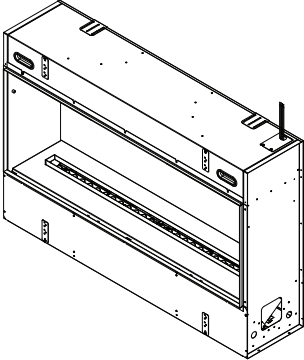
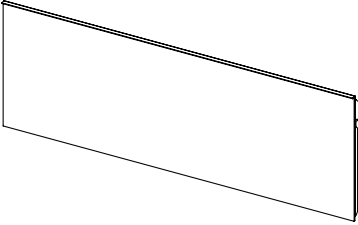




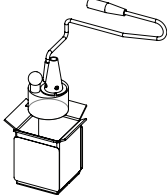
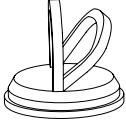
Product Dimensions

Figure 1

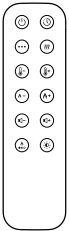
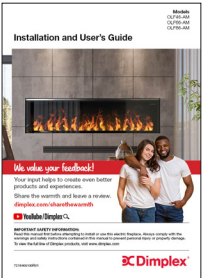
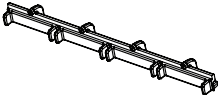

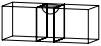



Model	A		B	
OLF46-AM	47 1/2"	1206 mm	46 1/8"	1170 mm
OLF66-AM	67 1/2"	1714 mm	66 1/8"	1678 mm
OLF86-AM	87 1/2"	2222 mm	86 1/8"	2186 mm

Package Contents

Image	Description	Quantity		
		OLF46-AM	OLF66-AM	OLF86-AM
	Firebox	1	1	1
	Front Glass	1	1	1
	Bag of Small Acrylic Crystals	2	3	4
	Bag of Large Acrylic Crystals	1	1	2
	Bag of Extra-Large Acrylic Crystals	1	1	1
	Driftwood	8	12	15
	Spare Transducer <i>Keep it in a secure location for future use.</i>	2	3	4
	Suction Cup <i>Do not dispose of the suction cup after installation. Keep it in a secure location as it will be helpful for maintenance and service of the unit.</i>	2	2	2

Package Contents

	<p>Remote Control <i>Includes two 3 V batteries</i></p>	1	1	1
	<p>User's and Installation Guide</p>	1	1	1
	<p>Breakable Flame Baffles</p>	4	6	8
	<p>Slotted Flame Baffles</p>	6	9	12
	<p>Bubble Level</p>	1	1	1
	<p>1 1/2" Wood Screws</p>	4	4	4

*Package contents are subject to change

Installation

Placement

! **NOTE:** For optimized viewing angle of the flame, it is recommended that the bottom of the unit be mounted between 5" (13 cm) and 50" (127 cm) from the ground. (Figure 2)

Installation in a Bathroom

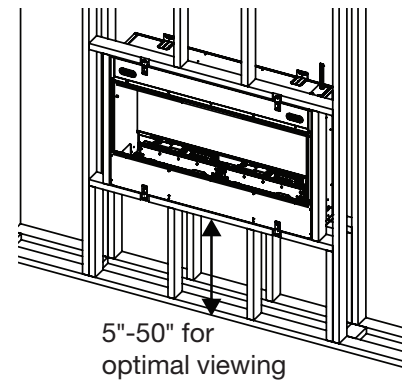
If this unit is installed in a bathroom, it must be protected by a GFCI receptacle or circuit. If a receptacle is used, it must be readily accessible.

This electrical appliance is NOT watertight. To prevent electric shock, it must be installed as to prevent water from entering unit, or installed away from showers, tubs, etc. Never locate fireplace where it may fall into a bathtub or other water container.

Installation Recommendations for Overhanging Objects

For overhanging temperature-sensitive objects, such as a television, a mantel, or artwork, always follow the recommendations provided by its manufacturer for installation over a heater.

Figure 2



Installation

Fresh Air Inlets

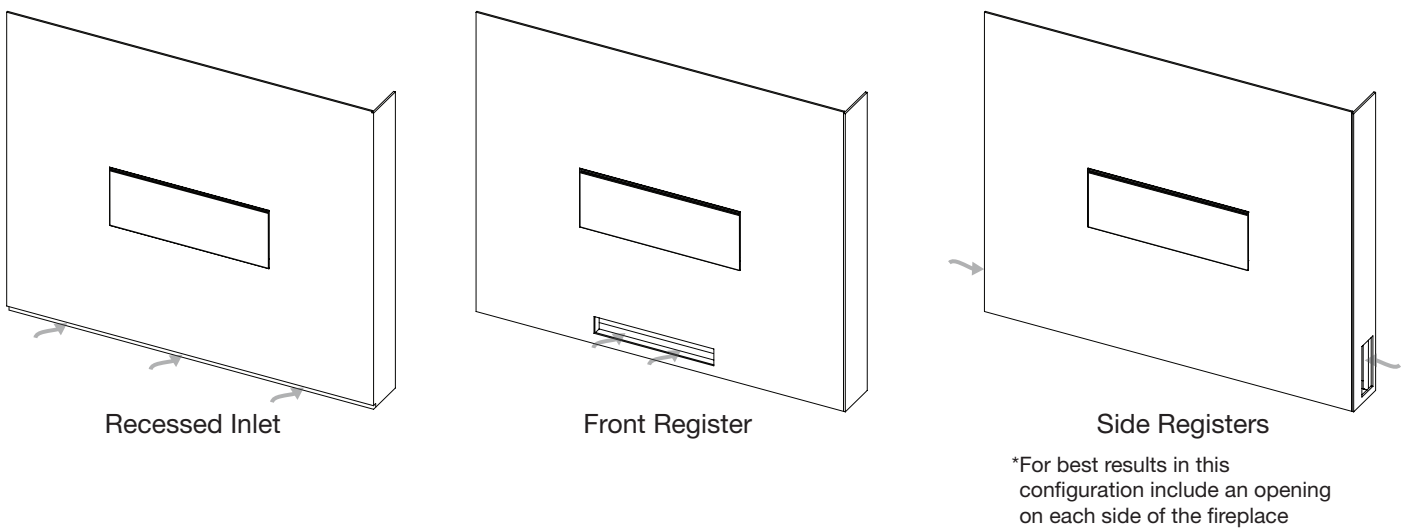
⚠ CAUTION: Failure to include a fresh air inlet will result in poor flame performance and damage to the fireplace.

A fresh air inlet is required. The air inlet must allow for the air path to reach the underside of the unit. This will have to be accounted for in the framing and drywall installation. See the table below for air inlet requirements for each model. See **Figure 3** for examples on incorporating fresh air inlets in the installation.

If the air inlet is concealed using a grille, the covered area must be compensated for by having a larger opening.

Model	Air inlet area required	
OLF46-AM	80 in ²	516 cm ²
OLF66-AM	120 in ²	774 cm ²
OLF86-AM	160 in ²	1032 cm ²

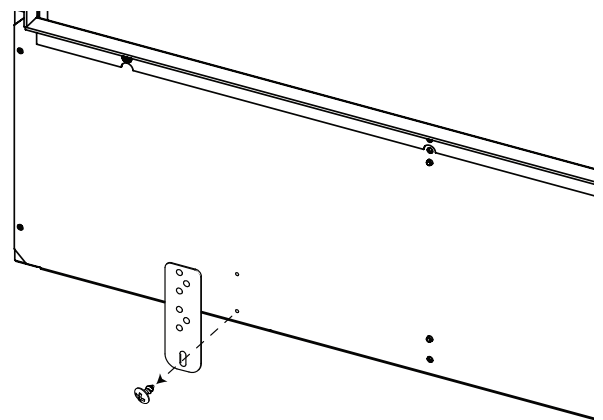
Figure 3



Preparing the Firebox for Installation

1. The unit is provided with mounting brackets attached (**Figure 4**). Remove the mounting brackets before installation. They will need to be reinstalled during installation once the firebox is placed into the framing.
2. If using the plug accessory kit (OLFPLUG, sold separately), wire it following the instructions for the plug kit in the *Electrical Installation* section (page 14).
3. For permanent heat disable only: follow the instructions for disconnecting the heat function in the section *Heater Hardware Disconnect* (page 16).

Figure 4



Installation

Framing

1. Prepare a wall with a framed opening, following the dimensions in the table below. Openings beneath the unit are required in order to allow for airflow to reach the underside of the unit. (Figure 6)

Model	Framing Dimensions			Drywall Opening	
	Width (minimum) A	Height B	Depth (minimum) C	Width D*	Height E*
OLF46-AM	48" 1219 mm	31 3/4" 806 mm	12" 305 mm	46 3/16" 1174 mm	17 1/2" 445 mm
OLF66-AM	68" 1727 mm			66 3/16" 1682 mm	
OLF86-AM	88" 2235 mm			86 3/16" 2190 mm	

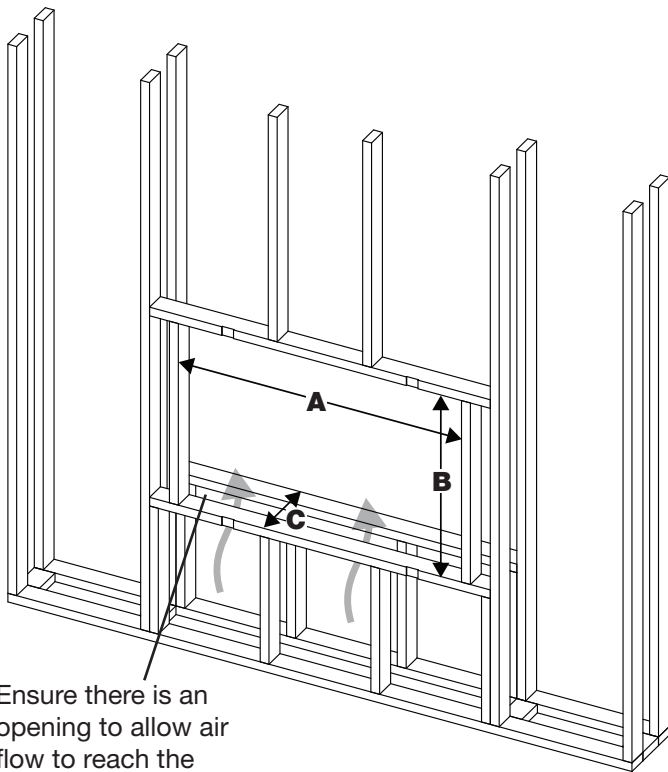
* Allows for a 2 mm clearance all around

⚠ CAUTION: This fireplace is NOT load-bearing. Ensure the opening for the fireplace is framed in such a way that the weight of the building materials will not create pressure on the top of the fireplace.

! NOTE: Field wiring is located at the top right back corner of the firebox. The connection to water supply is located at the bottom left back corner of the firebox. Plan the framing to allow routing the electrical power cable and the cold-water line to this location.

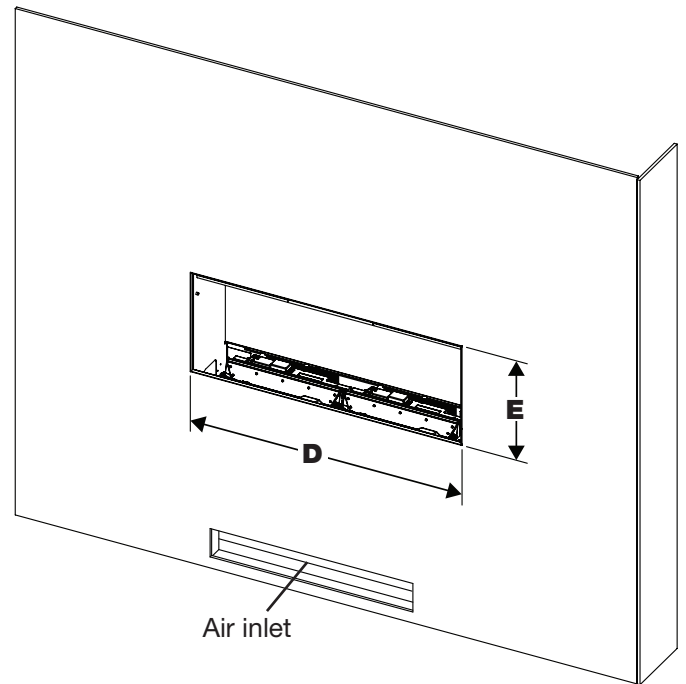
! NOTE: Ensure the unit is level and flush with the framing.

Figure 5



Ensure there is an opening to allow air flow to reach the underside of the unit

Figure 6



Installation Instructions

! **NOTE:** Two people are recommended for installation.

1. Follow the instructions in the section *Preparing the Firebox for Installation* (page 10) before beginning.
2. Prepare a wall with a framed opening, following the dimensions in the *Framing* section (page 11).

⚠ **CAUTION:** Ensure there is an air inlet with a path for air flow to reach the underside of the unit.

3. Place the firebox into the framed opening. Ensure the unit is level. A bubble level is included in the hardware kit provided.
4. Secure the firebox to the frame using the previously removed mounting brackets. The unit must be secured to the frame with the mounting brackets.

! **NOTE:** To avoid bulging of the finished surface, notch the framing to allow the mounting brackets to be flush with the framing. (Figure 7)

5. Connect the unit to the water supply, following the instructions in the section *Water Supply Connection* (page 13).
6. Locate the connector plate in the top right back corner of the unit. Remove the connector plate by removing the 2 securing screws. (Figure 8)
7. Install a cable connector (not included), suitable for installing in a $\frac{7}{8}$ " (22 mm) hole, to the plate and feed the supply cable through the cable connector.
8. Complete the wiring according to instructions in the *Electrical Installation* section (pages 14–15). Reinstall the connector plate after completing wiring.
9. Finish surrounding wall up to the trim if a permanent installation is desired. A removable trim can be used instead to cover the framing opening to allow the fireplace to be removed without damaging the finished wall.

⚠ **CAUTION:** Ensure air inlets are present in final installation (see *Fresh Air Inlets*, page 10).

! **NOTE:** It is recommended that all drywall installation and finishing be completed after unit is fully installed, inspected, and operational.

10. Finish the installation using the finishing materials of your choice.
11. Place the media as desired and install the front glass.

Figure 7

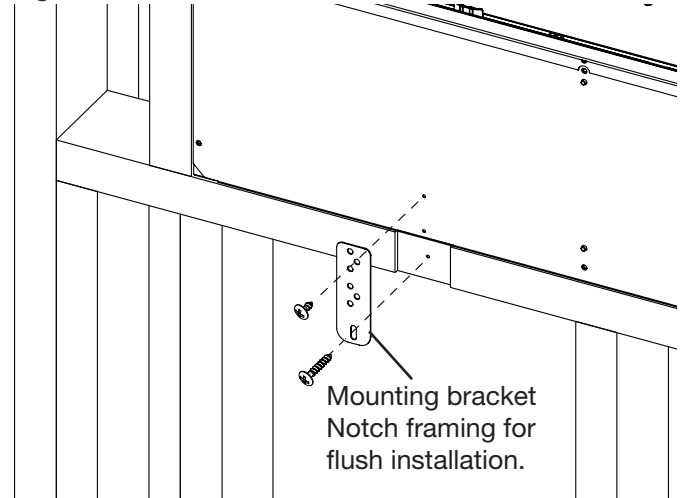
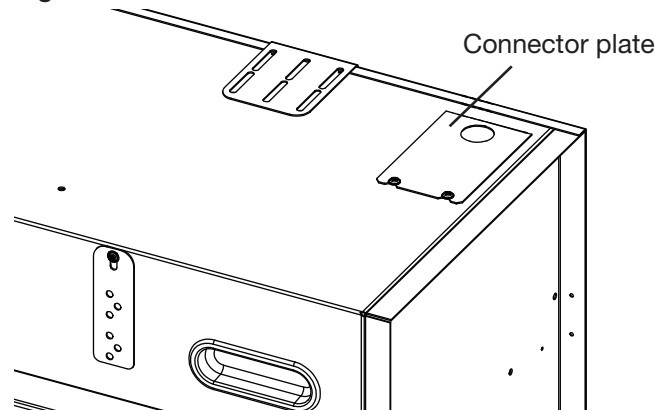


Figure 8



Installation

Water Supply Connection

⚠ CAUTION: Ensure that all plumbing connections meet local plumbing code requirements. Ensure that the location of the plumbing connection allows for easy access to allow for shutoff during scheduled maintenance.

Water Quality

Normal tap water can be used in the Opti-myst®. In areas with hard water, a water softener is recommended and more frequent cleaning and maintenance may be required. Unfiltered water supplied from a well or another unmonitored supply is not recommended. The product is provided with an in-line mesh filter to help remove contaminants and extend the life of the product.

Plumbing Instructions

The units are designed to be hard plumbed by connecting to a water source using standard ¼" (6.4 mm) O.D. tubing. A plumbing accessory kit CDFIPLUMB-KIT, designed for use with copper piping, is available from your Dimplex dealer.

1. Prepare a cold-water line in the vicinity of the desired installation location of the fireplace. Ensure that the location of the plumbing connection allows for easy access to allow for shutoff during scheduled maintenance.

! NOTE: Once the new plumbing connections are complete ensure that the lines are flushed to prevent any debris from going into the unit.

2. Lift the media tray out of the unit and set it aside.

3. Connect the water line, reduced to ¼" tubing, to the main valve located in the bottom left side of the unit. (Figure 6)

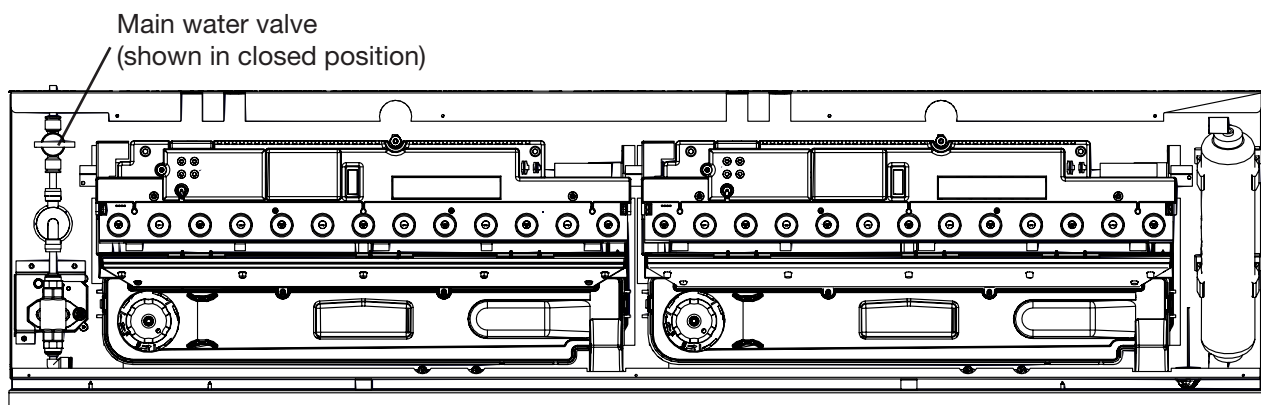
⚠ CAUTION: Ensure that the end of the tubing is cut square to prevent leaking.

4. Connect the water supply tubing to the main water valve by removing the locking ring and inserting the tubing so that it is fully inserted (approximately ½" [12 mm]). Reinstall the locking ring.

5. Complete electrical installation steps before opening the main water valve.

6. Priming (pre-filling with water) is required. See *Priming the Unit* on page 22.

Figure 9



Refillable Water Containers

! NOTE: Not recommended for applications with frequent use.

If direct connection to a water supply is not possible, the reservoir can be manually filled using an Opti-Myst refillable container (9601350100RP) (not provided) which can be purchased at www.dimplex.com/replacement_parts. One container will be needed for each flame module in the fireplace. One refill will provide up to 6 hours of flame operation. The front glass and media tray will need to be removed each time the containers need to be refilled.

Installation

Electrical Installation

⚠ WARNING:

The installation of the electric fireplace must comply with the applicable Local and/or National Electrical Codes and utility requirements.

Use the appropriate wire to meet local and national electrical codes for rated power consumption.

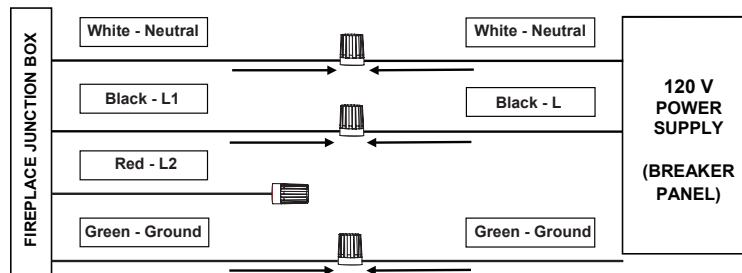
⚠ CAUTION: A dedicated, properly fused 15 Amp circuit is recommended, rated for the appropriate voltage (120 V, 240 V). A dedicated circuit will be required if, after installation, the circuit breaker trips or fuse blows on a regular basis when the heater is operating. Additional appliances on the same circuit may exceed the current rating of the circuit breaker.

120 V Hardwire Installation

! NOTE: For OLF86-AM, when connected to 120 V, there will be no heat output, but heat functions will be active on the controls with only fans operating.

1. Connect the black L1 wire from the unit to the live wire from the power supply with a wire connector.
2. Connect the white N wire from the unit to the neutral wire from the power supply with a wire connector.
3. Connect the green G wire from the unit to the ground wire from the power supply with a wire connector or attach the grounding wire to the cover with the provided grounding screw, by placing the wire in between screw and lock washer and tighten.
4. Ensure all wire connections are tight.

Figure 10



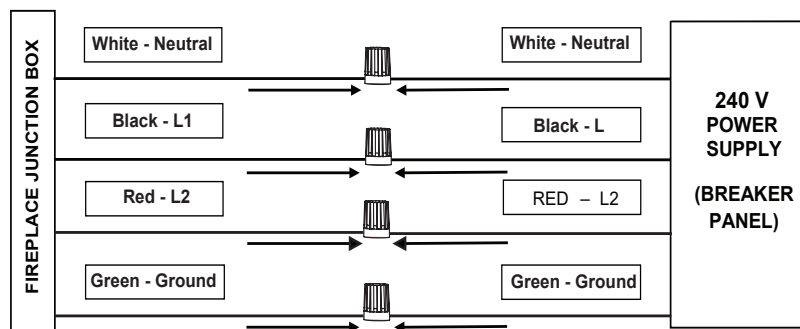
Installation

240 V Hardwire Installation

You will need a 4-wire 240 V supply (L1, L2, Neutral, and Ground).

1. Connect the black L1 wire from the unit to the L1 wire from the power supply with a wire connector.
2. Connect the red L2 wire from the unit to the L2 wire from the power supply with a wire connector.
3. Connect the white N wire from the unit to the neutral wire from the power supply.
4. Connect the green G wire from the unit to the ground wire from the power supply with a wire connector or attach the grounding wire.
5. Ensure all wire connections are tight.

Figure 11



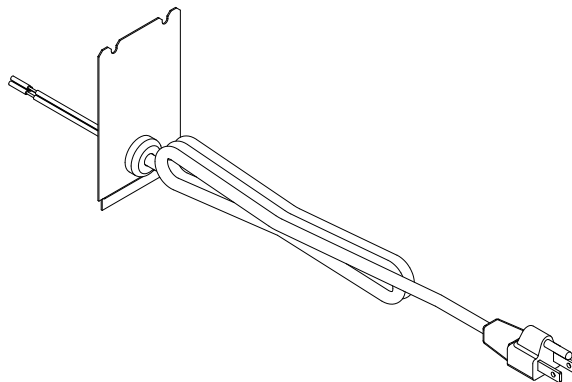
Optional Plug Kit (OLFPLUG, sold separately)

⚠ WARNING: Power cord option is only suitable for 120 V installations.

1. Remove the 3 screws that hold the connector plate.
2. Connect the black L1 wire from the unit to the black wire of the plug kit.
3. Connect the white N wire from the fireplace to the white wire from the plug kit.
4. Connect green G wire from the fireplace to the green wire from the plug kit.
5. Ensure all wire connections are tight.
6. Secure the power cord's pre-installed cover plate using the screws removed when removing the connector plate. The previously removed connector plate can be disposed of.

⚠ WARNING: This heater is not intended for use with an extension cord. Plug the cord directly into an appropriate wall receptacle.

Figure 12



Heater Hardware Disconnect

The fireplace heater can be permanently disabled by removing the electronic jumper on the main control board.

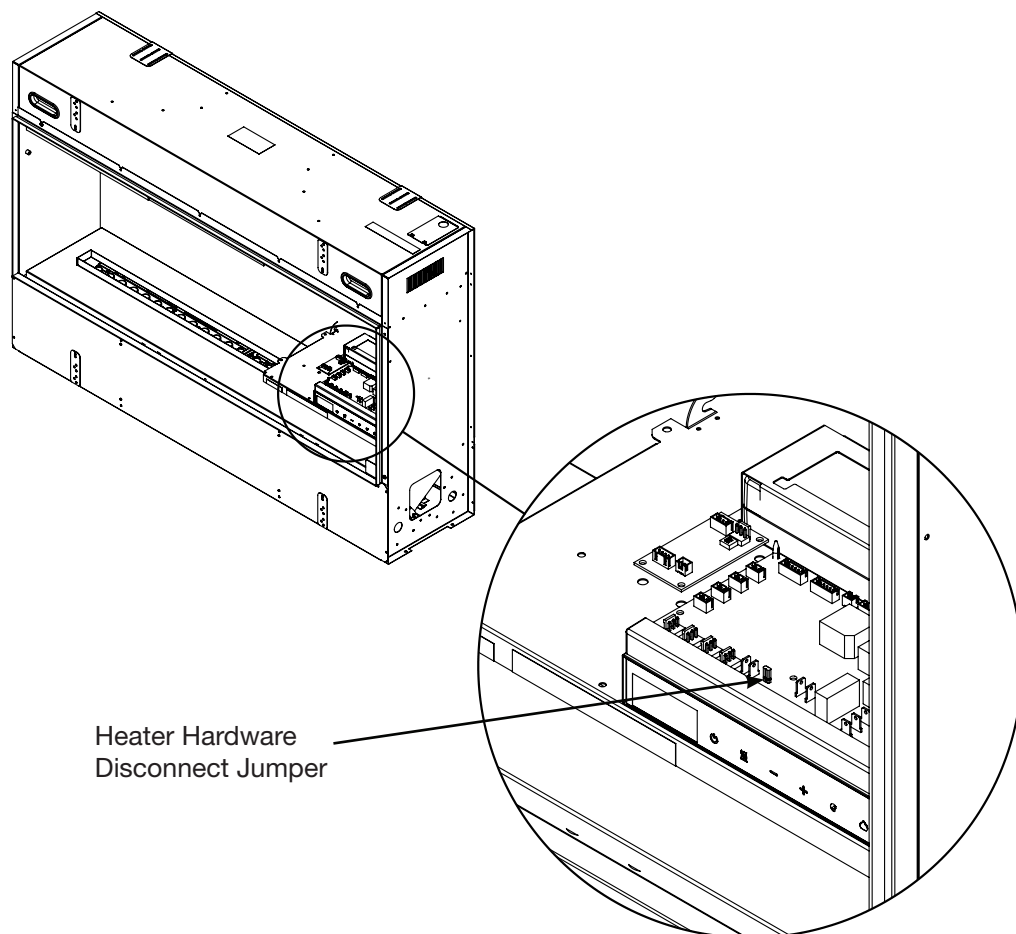
Heater hardware disconnect will permanently disable the heater and fan function. Follow these instructions **ONLY** when an installation without heat is required. Temporary disabling of the heater can be achieved through the hidden touch controls. See “Heat Disable” in *Operation* section (page 20) for instructions.

The recirculating fan and the element in the flame module will not be disabled.

To disconnect the heater and fan permanently:

1. Remove the 4 screws that secure the right-side upper LED lights and disconnect the wire.
2. Remove the 5 screws that secure the right-side upper panel. Carefully lower the upper panel, which is held by hinges to the housing.
3. Locate the main control board. The heater hardware disconnect jumper location is labeled “J2”. (Figure 13)
4. Remove the heater hardware disconnect jumper.
5. Secure the upper panel back in its original position.
6. Reconnect the wire for the upper LED lights, and secure in place.

Figure 13



Installation

Flame Baffles

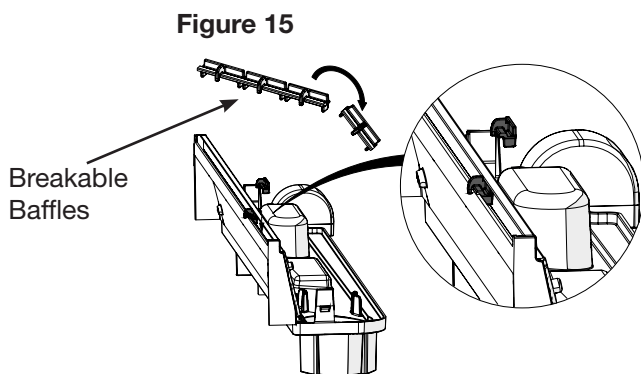
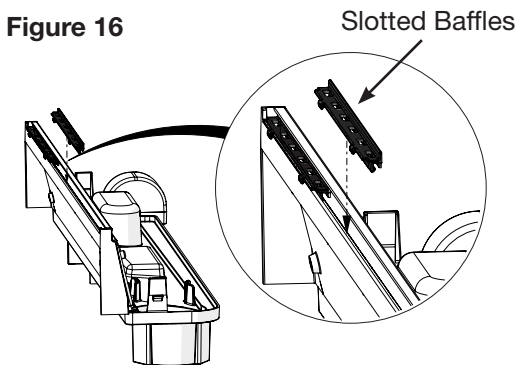
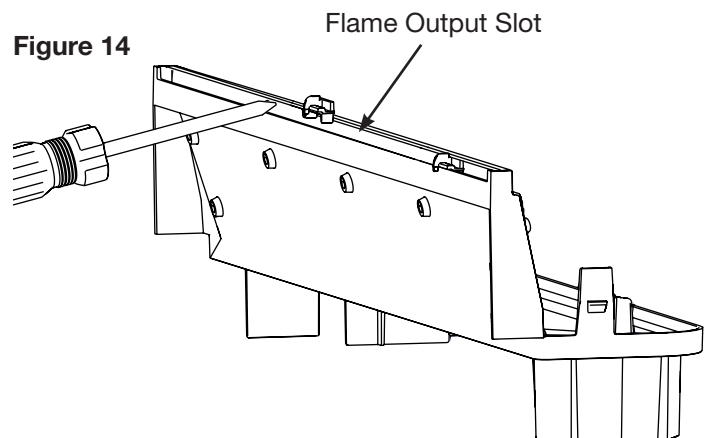
The unit comes with breakable and slotted baffles to create a customized flame. The unit can be operated with or without the baffles. The baffles will create spacing to customize a unique flame appearance.

Separate the **breakable baffles** by bending the strip until it breaks into 4 single baffles. (Figure 15) The **slotted baffles** are not breakable.

To insert the baffles, use a screwdriver to carefully pry open the flame output slot on the top cover. (Figure 14) Install the baffle by putting the side with the two tabs down, and inserting it so that the lip on the top cover goes over the baffle. (Figure 16)

Place the breakable baffles across the flame output slot as desired to create the desired flame appearance.

Three slotted baffles are required to cover each flame output slot.



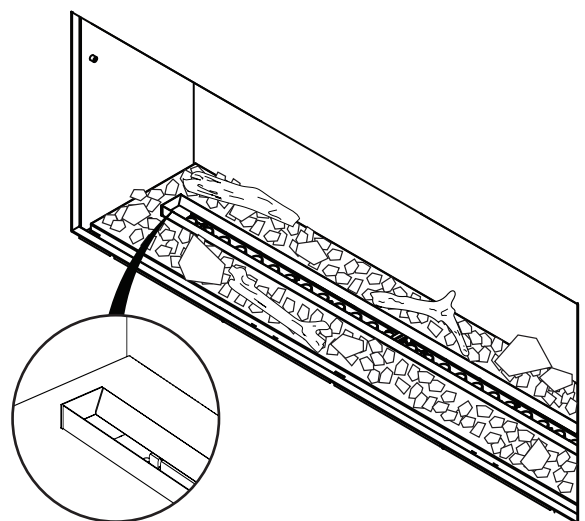
Media Arrangement

1. Install media bed with the angled side of the slot toward the back of the fireplace. (Figure 17)
2. Evenly disperse the small crystals to entirely cover the media bed.
3. Place the driftwood pieces across the crystals.
4. Place the large and extra-large crystals as desired over the smaller crystals and beside the driftwood.

! NOTE: It is not recommended to position the driftwood pieces across the flame output slot. If this configuration is desired, use the provided baffles to block the mist beneath the log(s) to prevent condensation.

It is possible to use custom media ornaments to decorate your fireplace. The custom media must fit easily without scratching the glass or bowing the media bed, and must not be composed of sand or liquid, which could interfere with the safety of the fireplace.

Figure 17



Front Glass Installation

! **NOTE:** Two people are required for installation of the front glass.

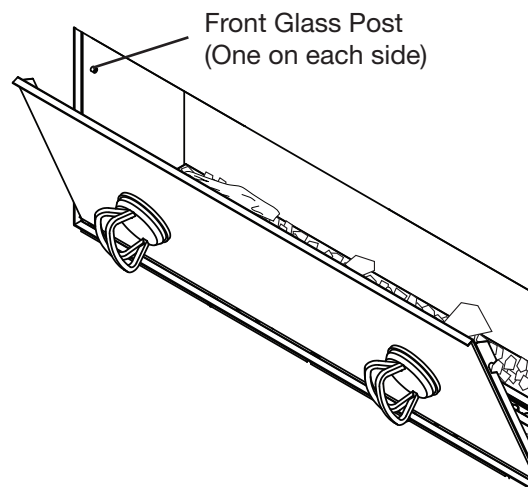
1. Ensure there are no debris or finger prints on the inner side of the front glass before you begin.
2. Attach the provided suction cups to the outer side of the front glass. Ensure the suction cups are securely attached.
3. Using the suction cups to assist, lift the glass and place it directly in front of the media bed at a slight angle.
4. Lift the front glass slightly to hook the front glass onto the posts on each side of the fireplace. (Figure 18)

! **NOTE:** When installed correctly, the front glass should not obstruct the hidden touch controls.

5. Remove the suction cups and clean any fingerprints or debris off the glass with a nonabrasive glass cleaner.

! **NOTE:** Do not dispose of the suction cups! Keep them in a secure location, as they may be needed for maintenance and service on this fireplace.

Figure 18



Operation

General Operation

⚠ WARNING: This electric firebox must be properly installed before it is used.

This firebox operates with ComfortSaver™ technology, which automatically adjusts the fan speed and heater wattage to safely and precisely match the requirements of the room based on the thermostat setting.

! NOTE: The element retains heat after shutdown. When the heat is turned off, there is a 30-second cool down period before the fan shuts off completely.

! NOTE: After a power interruption the fireplace will return to Standby mode and retain the previously used settings.

Power Switch

The main power (On/Off) switch is located behind the front glass in the upper right corner inside the fireplace.

Hidden Touch Controls

The hidden touch controls are located on the upper right of the fireplace. (Figure 19) To activate the controls touch the area next to the display. After 20 seconds of inactivity, the controls return to the hidden state.

! NOTE: When in standby mode, the  remains illuminated.

Remote Operation

The fireplace is supplied with a multifunction Bluetooth remote control. (Figure 20)

App

The fireplace is capable of being controlled using the Flame Connect app for mobile devices. For up-to-date information about the app, please visit www.dimplex.com/fcapp.

! NOTE: The fireplace will not operate using the provided remote control when the app is open on a paired mobile device. A blue LED indicator will illuminate on the fireplace display when the app is in use.

Figure 19

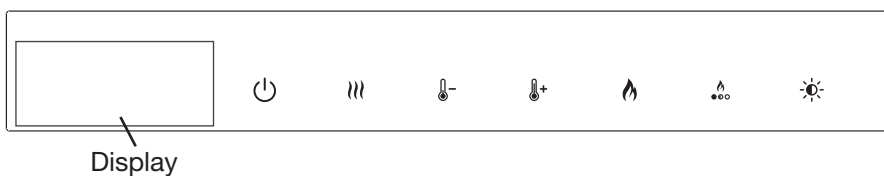
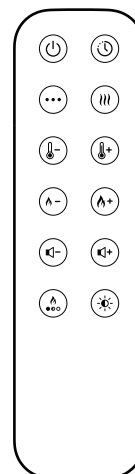


Figure 20



Operation

! NOTE: The touch screen display needs to be touched once before activating any functions below.


	Standby	<p>Press to turn on the unit or to put it in standby mode. There is a brief delay after pressing before the unit turns on.</p> <p>When the unit is turned on, there is a 3-minute warm-up sequence before the flame effect starts.</p>
	Heat	<p>Press to turn the heat on or off.</p> <p>When the heat is turned on, the display briefly indicates the set temperature (<i>##5T</i>), followed by the ambient room temperature.</p> <p>When the heat is turned off, the fan continues to operate for a further 30 seconds to dissipate residual heat.</p>
	Heat Disable	<p>Press and hold and at the same time for 3 seconds to disable or enable the heat function. This action must be performed on the hidden touch controls.</p> <p>When the heat is disabled and is pressed, <i>[-] 52</i> appears on the display.</p>
	Increase Temperature	<p>Press to increase the temperature setting.</p> <p>The temperature can be set from 15° C to 30° C (59° F to 86° F).</p>
	Decrease Temperature	<p>Press to decrease the temperature setting.</p>
	Temperature Display (°C ↔ °F)	<p>Press and hold and at the same time for 3 seconds to change the displayed temperature unit. This action must be performed on the hidden touch controls.</p>
	Flame Intensity	<p>Press repeatedly to adjust the flame intensity setting. The display indicates <i>LOW</i>, <i>MED</i> (medium), or <i>HIGH</i>.</p> <p>! NOTE: Allow 15 minutes of operation before adjusting the flame intensity.</p>
	Extractor Fan Boost	<p>The extractor fan boost clears any excess fogging that may appear in the fireplace.</p> <p>Press and hold for 5 seconds to turn on the extractor fan boost. Once finished, the flame will resume on the low setting. This action must be performed on the hidden touch controls.</p>
	Ambient & Flame Theme	<p>Press repeatedly to cycle the 8 different Ambient & flame color themes:</p> <ul style="list-style-type: none"> 1 - Natural Flame 2 - Blue 3 - Violet 4 - Red 5 - Aquamarine 6 - Prism Mode - media and overhead lights cycle through colors 7 - Kaleidoscope Mode - media and overhead lights cycle through colors at different rates. 8 - Custom (app required)
	Brightness	<p>Press repeatedly to cycle the top light brightness settings:</p> <ul style="list-style-type: none"> 1 - Brightness level 1 2 - Brightness level 2 3 - Brightness level 3 4 - Brightness level 4 5 - Brightness level 5 6 - Pulsating effect

Operation

Additional Functions to be Performed from the Remote Control



Timer

Press  repeatedly to set the duration of the timer. The fireplace goes into standby after the time has elapsed. The timer can be set from 30 minutes (display shows 0.5HR) to 8 hours in intervals of 30 minutes.

To turn the timer off, press  after 8 and the display indicates OFF.

While the timer is active, press the timer button to see the time remaining.



Heat Mode Selection

Press  repeatedly to cycle through the different heat modes:

Normal: The heater automatically adjusts to achieve and maintain the set temperature.

Eco: The heater will work at reduced power to save energy.

Heat Boost: The heat is on at maximum power for a preset amount of time before reverting to normal heat mode. Select *BST1* for 5 minutes, *BST2* for 10 minutes, or *BST3* for 15 minutes.

Frost Protection: The heater maintains the ambient temperature at 7° C (45° F). To indicate this mode, overhead lights are blue and the display indicates -FP- continually. The flame effect cannot be turned on in this mode.

Fan: The fan runs without heat to circulate the air in the room.



Increase Flame Intensity

Press  to increase the flame intensity setting to *MED* (medium) or *HIGH*.




Decrease Flame Intensity

Press  to decrease the flame intensity setting to *LOW* or *MED* (medium).




Increase Volume

Press  repeatedly (or press and hold) to decrease the volume level of the crackling sound effect.



Decrease Volume

Press  repeatedly (or press and hold) to increase the volume level of the crackling sound effect.

The volume of the crackling sound effect can be set from OFF to level 6.

Press  or  to briefly display the current volume setting.

Resetting the Temperature Cutoff Switch



Should the heater overheat, a manual limit cut-out will turn the unit off and it will not come back on without being reset. It can be reset by turning the unit off from the main ON/OFF switch or at the main disconnect panel and waiting 10 minutes before turning the unit back on.

⚠ CAUTION: If you need to continuously reset the heater, turn the unit off at the main disconnect panel and call technical support at: 1-888-346-7539.

Factory Reset

Performing a factory reset will restore all settings to default, disconnect the unit from the mobile app if connected, and remove any primary and guest users. This can also help resolve issues connecting to the Flame Connect App.






To reset all the settings to factory default:

1. Turn the power off for 10 seconds at the main power switch.
2. Turn the power back on. The unit will start the warm-up sequence.
3. Once the warm-up sequence is complete, press and hold  and  at the same time for 10 seconds. This action must be performed on the **hidden touch controls**.

Priming the Unit

The unit will need to be primed with water prior to the first use and whenever the sumps are fully emptied (such as after cleaning or maintenance).

Once the unit is connected to water and electrical supply, prime the unit using the hidden touch controls (**Figure 19**) by following these steps:

1. Ensure the water valve is open. (**Figure 9, page 13**)
2. Put the power switch in the “on” position.
3. While the unit is in standby mode, press and hold  for 5 seconds. The unit will remain in standby and the flame intensity icon () will illuminate.
4. Press and hold  for 3 seconds. “*FILLING*” will scroll across the display for the duration of the priming. Once the filling is complete, the display will show “*FULL*”, the  icon will disappear, and 4 beeps will follow. The unit will return in standby mode.
5. To start the unit press  once. The warm up sequence will start.

Remote Control Battery Replacement

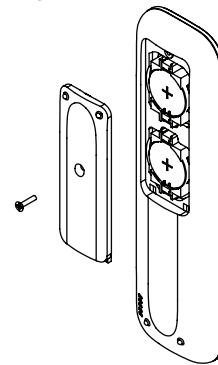
To replace the batteries:

1. Remove battery cover of the remote control using a Philips screwdriver.
2. Correctly install two 3 Volt (CR2032 or similar) battery in the battery holder with the + side facing up.
3. Secure the battery cover using the previously removed screw.



Batteries must be recycled or disposed of properly. Check with your Local Authority or Retailer for recycling advice in your area.

Figure 21



Cleaning

⚠ WARNING: Disconnect power and allow heater to cool before attempting any maintenance or cleaning to reduce the risk of fire, electric shock or damage to persons.

⚠ CAUTION: The heater should not be operated with an accumulation of dust or dirt on or in the unit, as this can cause a build-up of heat and eventual damage. For this reason the heater must be inspected regularly, depending upon conditions and at a minimum yearly intervals.

Fireplace Surface Cleaning

Use only a damp cloth to clean the glass and painted surfaces of the fireplace. The inner side of the glass may occasionally get cloudy and require cleaning. Do not use abrasive cleaners.

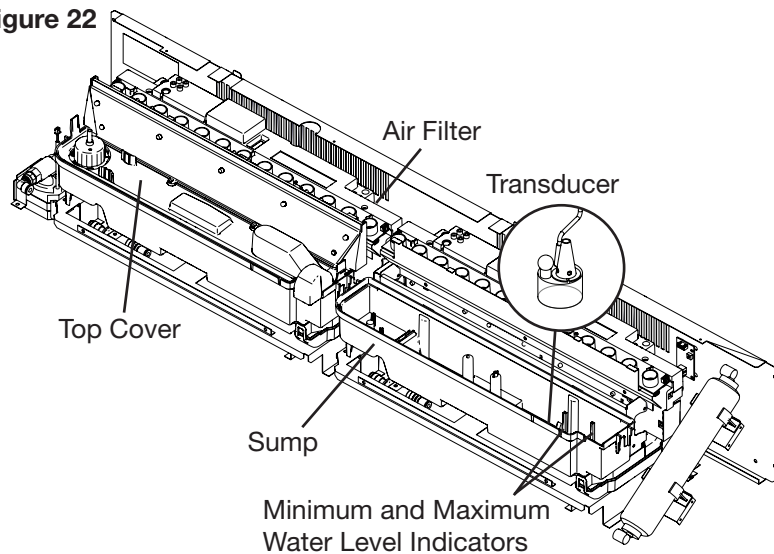
Component Cleaning

It is required that the top cover, sump, water bottle (if used), and transducers are cleaned with soap and water on a regular basis, **at a minimum once per month**. More frequent cleaning may be required depending on water quality.

⚠ CAUTION: Do not put plastic components in the dishwasher.

The air filters can be removed and gently rinsed with water to clean and dried on a towel before reinstalling. Reinstall the filter so that the coarse black side of the filter is facing the back of the unit.

Figure 22



Transducer Replacement

After prolonged use, the ability for the unit to produce mist may become reduced. If cleaning does not improve the performance of the flame effect, replacement of the transducer may be required. This unit comes with replacement transducers. Additional transducers may be purchased at www.dimplex.com/replacement_parts (9601210100RP).

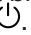
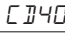
! NOTE: To remove the transducer, release the retaining tab in the sump and remove transducer.

Servicing



Except for installation and cleaning described in this manual, an authorized service representative should perform any other servicing.

Troubleshooting

For more troubleshooting, consult the OLF Service Manual which can be found at www.dimplex.com/customer_support/technical_and_troubleshooting

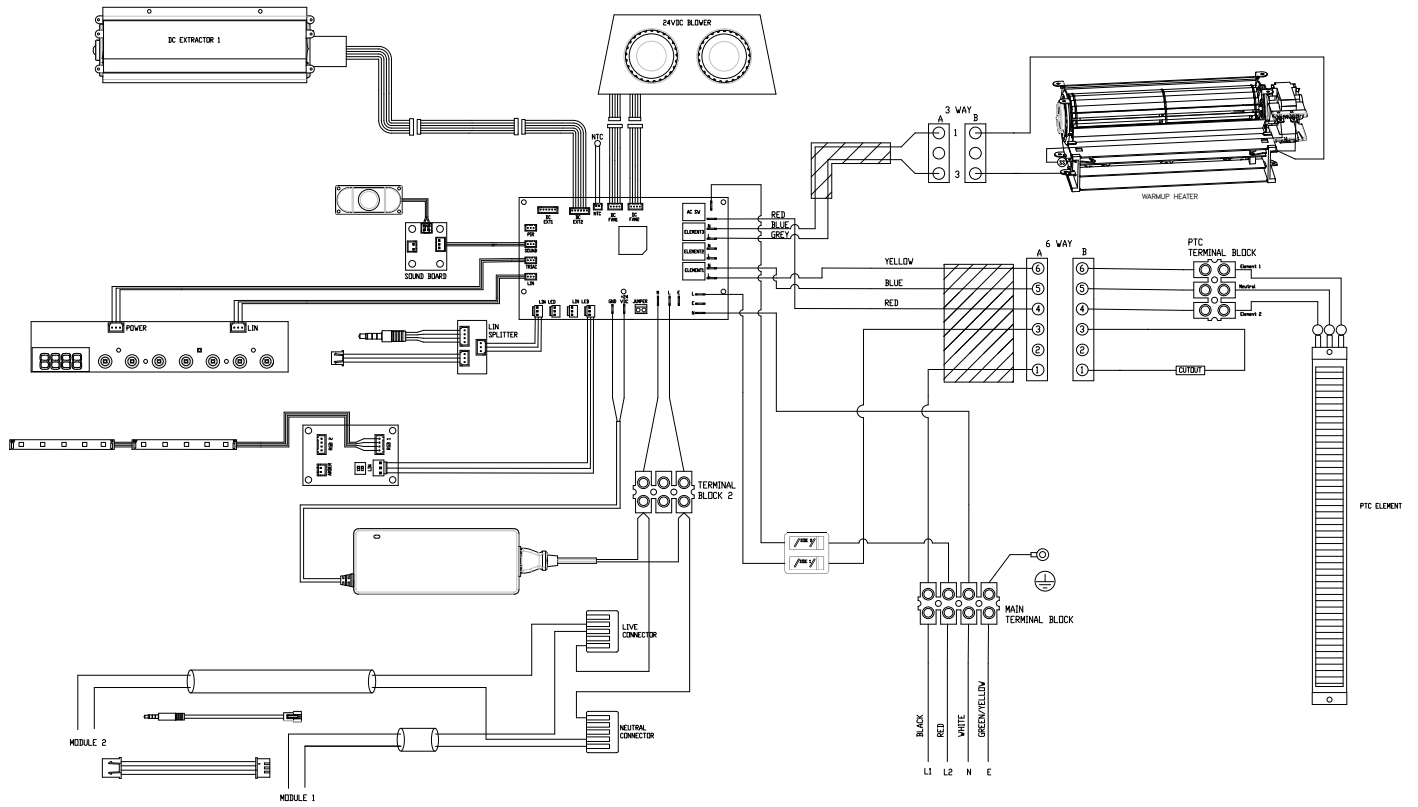
Problem	Display	Cause	Solution
Fireplace does not turn on with the manual touch controls	N/A	Normal operation	There is a brief delay after pressing  .
		No incoming power	Ensure the power switch is on. Ensure unit is wired correctly. Check main disconnect panel.
	 40	Hidden touch controls error	See service manual.
Fireplace does not respond to commands given from the remote control	N/A	The batteries in the remote control are dead or installed incorrectly.	Replace remote control batteries. Ensure batteries are installed with + facing up.
	Blue LED	The Flame Connect app is open on a mobile device.	Close the Flame Connect app on all mobile devices to enable use of the remote control.
	N/A	Remote control not synced to fireplace.	Restart the unit by turning the power off from the power switch or breaker for 10 seconds before turning it back on. Press any button on the remote control.
Heater is on, but there is no heat	-##5T-	The temperature setpoint is below the ambient temperature.	Increase the temperature setting, so that it is above the ambient temperature.
Circuit breaker trips or fuse blows when unit is turned on	N/A	Improper circuit current rating	Install unit on a dedicated minimum 15 amp circuit.
The glass is fogging	N/A	Excess humidity	Use the Extractor Fan Boost as needed to clear excess humidity within the unit. (See page 20) If fogging persists, reduce the flame intensity.
The flame effect is not uniform across all modules	N/A	Normal operation; a slight variation in the thickness and height of the flame effect from one module to the other is expected.	No action required.
		Normal operation upon startup.	Allow the unit to warm up for 10 to 15 minutes for the height of flame effect to stabilize.
		Transducer is not operating optimally.	Clean module components, including transducer. If problem persists, replace transducer.

Troubleshooting

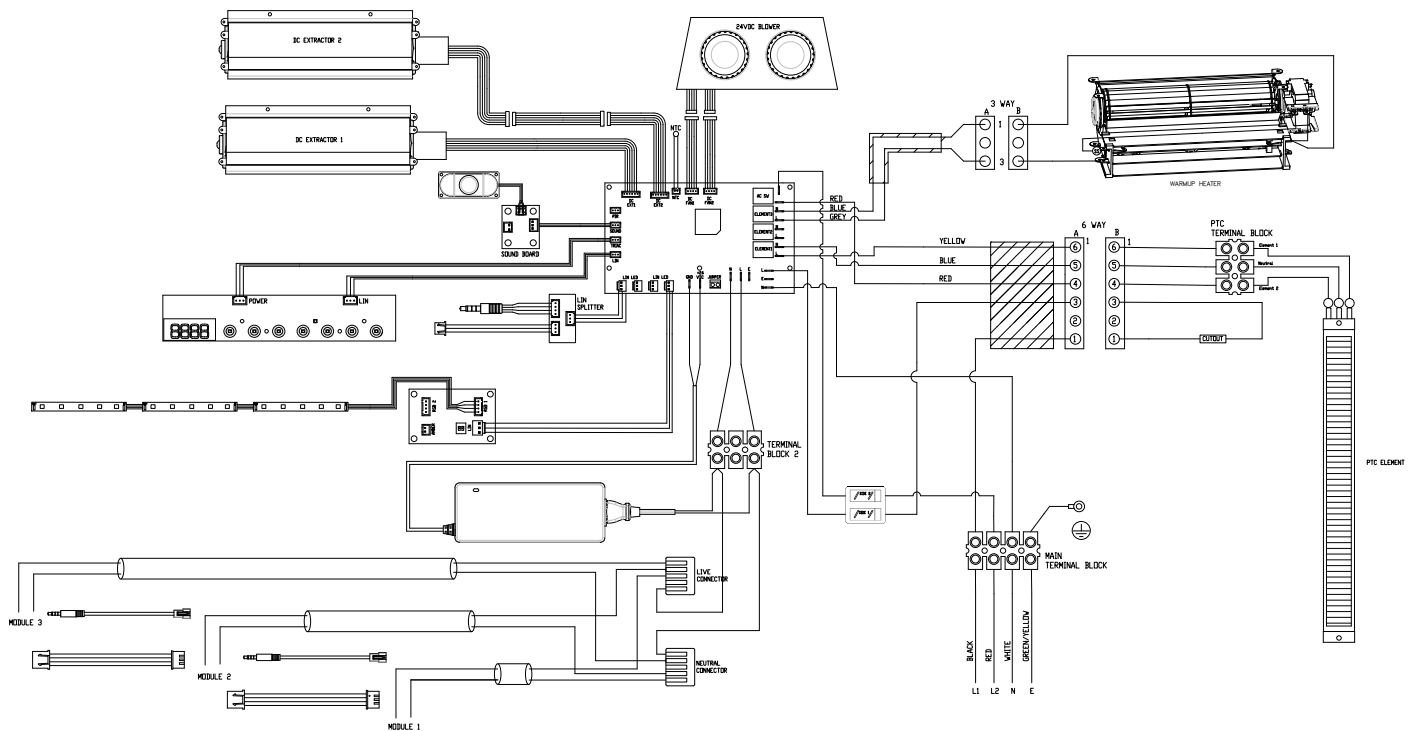
Problem	Display	Cause	Solution
Heat does not turn on	E152	Heater is disabled.	Press and hold  and  at the same time on the hidden touch controls for 3 seconds to disable or enable the heat function.
	E143	Heater has been permanently disabled.	If installation with heat is desired, reinstall jumper wire on main board if available or purchase new main board.
	E120	Ambient temperature NTC error	See service manual.
	E123	Onboard NTC error	Turn unit off from power switch. Check for heater exhaust blockage. Allow the unit to cool for 30 minutes. If error persists, see service manual.
	E133	Main PCB overheat detected	Turn unit off from power switch. Allow the unit to cool for 30 minutes. If error persists, see service manual.
Flame effect does not turn on In some cases, the display an error code followed by an # to indicate which sump(s) registered the error. For example, where there are three flame modules and the middle one is affected, the display will flash the error code, followed by _#_.	E134	Heater fan error	See service manual.
	E144	Extractor fan(s) error	See service manual.
	E145	Incorrect number of modules detected.	See service manual.
	E151	Low water level in one of the sumps.	Restart the unit by turning the power off from the power switch or breaker for 10 seconds before turning it back on. Check plumbing connections. If error persists, see service manual.
	E15b	The timing for filling the sump has been maxed out.	Restart the unit by turning the power off from the power switch or breaker for 10 seconds before turning it back on. Check water pressure and plumbing connections. If error persists, see service manual.
	E157	Possible leak in the unit.	Inspect the modules for any leaks. If error persists, replace reed switch.
Flame Connect App-related error	E158	Overflow has been detected.	Inspect the modules and carefully remove excess water. See service manual.
	E153	Fireplace settings are out of sync with the app.	Open the app on your mobile device to synchronize settings.

Wiring Diagrams

OLF46-AM

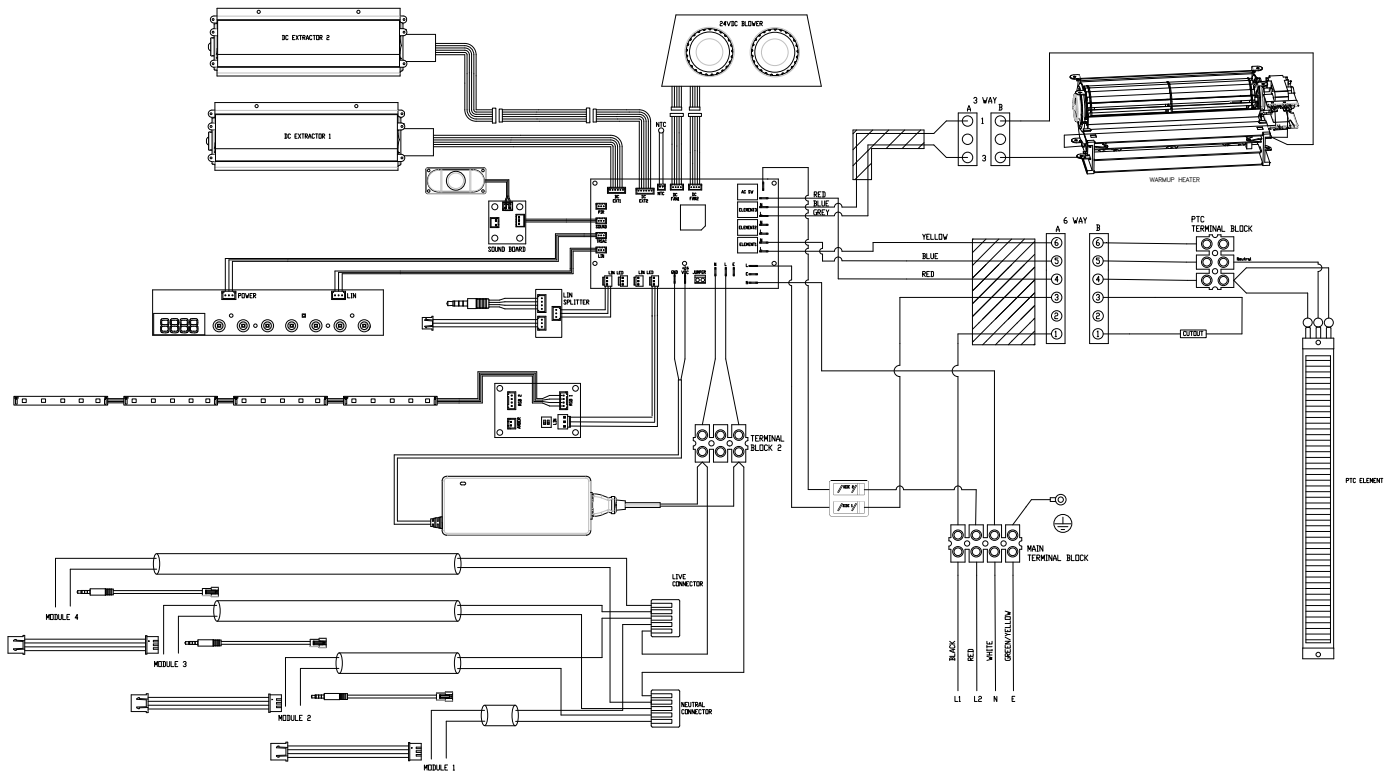


OLF66-AM



Wiring Diagrams

OLF86-AM



Warranty

OPTI-MYST LINEAR™ 2-YEAR LIMITED WARRANTY

Section 1 Products to which this Limited Warranty Applies

This Limited Warranty applies to your newly purchased Dimplex electric fireplace with model numbers OLF46-AM, OLF66-AM, and OLF86-AM.

This Limited Warranty applies only to purchases made in any province of Canada except for Yukon Territory, Nunavut, or Northwest Territories or in any of the 50 States of the USA and the District of Columbia except for Hawaii and Alaska. This Limited Warranty applies to the original purchaser of the product only and is not transferable.

Section 2 Products excluded from this Limited Warranty

Products purchased in Yukon Territory, Nunavut, Northwest Territories, Hawaii, or Alaska are not covered by this Limited Warranty. Products purchased in these States, Provinces, or Territories are sold AS IS without Warranty or condition of any kind including, without limitation, any implied warranties or conditions of merchantability or fitness for a particular purpose. The entire risk of as to the quality and performance of the products is with the purchaser. In the event of a defect, the purchaser assumes the entire cost of all necessary servicing or repair.

Section 3 What this Limited Warranty covers and for How Long

Opti-Myst Linear™ products OLF46-AM, OLF66-AM, and OLF86-AM excluding trims and accessory packages are covered by this Limited Warranty, have been tested and inspected prior to shipment and, subject to the provisions of this Warranty, Glen Dimplex Americas Ltd. (herein called Glen Dimplex Americas) warrants such products to be free from defects in material and workmanship for a period of 5 years from the date of the first purchase of such products. The 5-year Limited Warranty entitles the purchaser to On-site or In-home Warranty Services. Accordingly, Glen Dimplex Americas will be responsible for all labor and transportation associated with repairing or replacing the product or part. Exceptions to this are outlined in Section 5. Some jurisdictions do not allow limitations on how long an implied Warranty lasts, so the above limitation may not apply to the purchaser.

Section 4 What this Limited Warranty Does Not Cover

This Limited Warranty does not apply to products that have been repaired (except by Glen Dimplex Americas or its authorized service representatives) or otherwise altered. This Limited Warranty does further not apply to defects resulting from misuse, abuse, accident, neglect, incorrect installation, improper maintenance or handling, or operation with an incorrect power source.

Section 5 How to notify us of a Warranty Concern

Defects must be brought to the attention of Dimplex Customer Service online at dimplex.com/en/contact_us or by telephone at 1-888-346-7539. Please have proof of purchase, catalogue/model and serial numbers available for representatives to assist. **Limited In-home Warranty Services require proof of purchase.

In the event a product or part covered by this Limited Warranty is proven to be defective in material or workmanship during (i) the 2-year Limited Warranty period for products outlined in Section 1, you have the following rights:

- Glen Dimplex Americas will in its sole discretion either repair or replace such defective product or part without charge. If Glen Dimplex Americas is unable to repair or replace such product or part, or if repair or replacement is not commercially practicable or cannot be timely made, Glen Dimplex Americas may, in lieu of repair or replacement, choose to refund the purchase price for such product or part.
- Limited Warranty service will be performed solely by dealers or service agents of Glen Dimplex Americas authorized to provide Limited Warranty services.
- This 2-year Limited Warranty entitles the purchaser to On-site or In-home Warranty services. Accordingly, Glen Dimplex Americas will be responsible for all labor and transportation associated with repairing or replacing the product or part except as follows: (i) charges which may be levied for travel costs incurred to travel to the purchaser's site where the product is located if the purchaser's site is beyond 30 miles (48 km) from the closest service depot of Glen Dimplex Americas dealer or service agent; and (ii) the purchaser is solely responsible for providing clear access to all serviceable parts of the product.
- Glen Dimplex Americas will not be responsible for, and this Limited Warranty shall not include, any expense incurred for installation or removal of the surrounds (mantels) or trims or any part thereof (or any replacement product or part) including, without limitation, all shipping costs and transportation costs to and from the authorized dealer's or service agent's place of business and all labor costs. Such costs shall be the purchaser's sole responsibility.

Section 6 When Glen Dimplex Americas and its Dealers and Service Agents are not Liable

IN NO EVENT WILL GLEN DIMPLEX AMERICAS, OR ITS DIRECTORS, OFFICERS, OR AGENTS, BE LIABLE TO THE PURCHASER OR ANY THIRD PARTY. WHETHER IN CONTRACT, IN TORT, OR ON ANY OTHER BASIS, FOR ANY INDIRECT, SPECIAL, PUNITIVE, EXEMPLARY, CONSEQUENTIAL, OR INCIDENTAL LOSS, COST, OR DAMAGE ARISING OUT OF OR IN CONNECTION WITH THE SALE, MAINTENANCE, USE, OR INABILITY TO USE THE PRODUCT, EVEN IF GLEN DIMPLEX AMERICAS OR ITS DIRECTORS, OFFICERS, OR AGENTS HAVE BEEN ADVISED OF THE POSSIBILITY OF SUCH LOSSES, COSTS OR DAMAGES, OR IF SUCH LOSSES, COSTS, OR DAMAGES ARE FORESEEABLE. IN NO EVENT WILL GLEN DIMPLEX AMERICAS, OR ITS OFFICERS, DIRECTORS, OR AGENTS BE LIABLE FOR ANY DIRECT LOSSES, COSTS, OR DAMAGES THAT EXCEED THE PURCHASE PRICE OF THE PRODUCT. SOME JURISDICTIONS DO NOT ALLOW THE EXCLUSION OR LIMITATION OF INCIDENTAL OR CONSEQUENTIAL DAMAGES, SO THE ABOVE LIMITATION OR EXCLUSION MAY NOT APPLY TO THE PURCHASER.

How State and Provincial law(s) apply

This Limited Warranty gives you specific legal rights, and you may also have other rights which vary from jurisdiction to jurisdiction. The provisions of the United Nations Convention on Contracts for the Sale of Goods shall not apply to this Limited Warranty or the sale of products covered by this Limited Warranty.

We value your feedback!

Your input helps to create even better products and experiences.

Share the warmth and leave a review.

dimplex.com/sharethewarmth

 [YouTube/Dimplex](https://www.youtube.com/Dimplex) 



QR label

For more information on the Flame Connect app, visit dimplex.com/fcapp



1-888-346-7539 | www.dimplex.com

In keeping with our policy of continuous product improvement, we reserve the right to make changes without notice.

© 2023 Glen Dimplex Americas

 A BRAND OF GLEN DIMPLEX AMERICAS

Modèles
OLF46-AM
OLF66-AM
OLF86-AM

Guide d'installation et d'utilisation



Vos commentaires sont précieux!

Votre contribution aide à créer des produits et des expériences encore meilleurs.

Transmettez de la chaleur et laissez un commentaire.

dimplex.com/transmettezdelachaleur

 [YouTube/Dimplex](https://www.youtube.com/Dimplex) 

CONSIGNES DE SÉCURITÉ IMPORTANTES :

Toujours lire le présent manuel avant d'essayer d'installer ou d'utiliser ce foyer. Pour votre sécurité, toujours respecter tous les avertissements et suivre les consignes de sécurité compris dans le présent manuel afin de prévenir les blessures ou les dommages matériels.

Pour découvrir la gamme complète de produits Dimplex, visiter www.dimplex.com

 **Dimplex**[®]

Table des matières

Bienvenue	3
⚠️ CONSIGNES DE SÉCURITÉ	4
Spécifications techniques	6
Caractéristiques électriques	6
Dimensions du produit	6
Contenu de l'emballage	7
Installation	9
Emplacement	9
Préparation du foyer pour l'installation	10
Entrées d'air	10
Préparation de la charpente	11
Instructions d'installation	12
Raccordement à l'alimentation en eau	13
Installation électrique	14
Désactivation permanente du chauffage	16
Déflecteurs de flamme	17
Disposition des ornements	17
Installation de la vitre frontale	18
Utilisation	19
Fonctionnement général	19
Réarmement du disjoncteur du circuit de la température	21
Réinitialisation d'usine	22
Amorçage du réservoir d'eau	22
Entretien	23
Remplacement de la pile de la télécommande	23
Nettoyage	23
Remplacement du transducteur	23
Entretien	23
Dépannage	24
Schémas de câblage	26
Garantie	28

Bienvenue

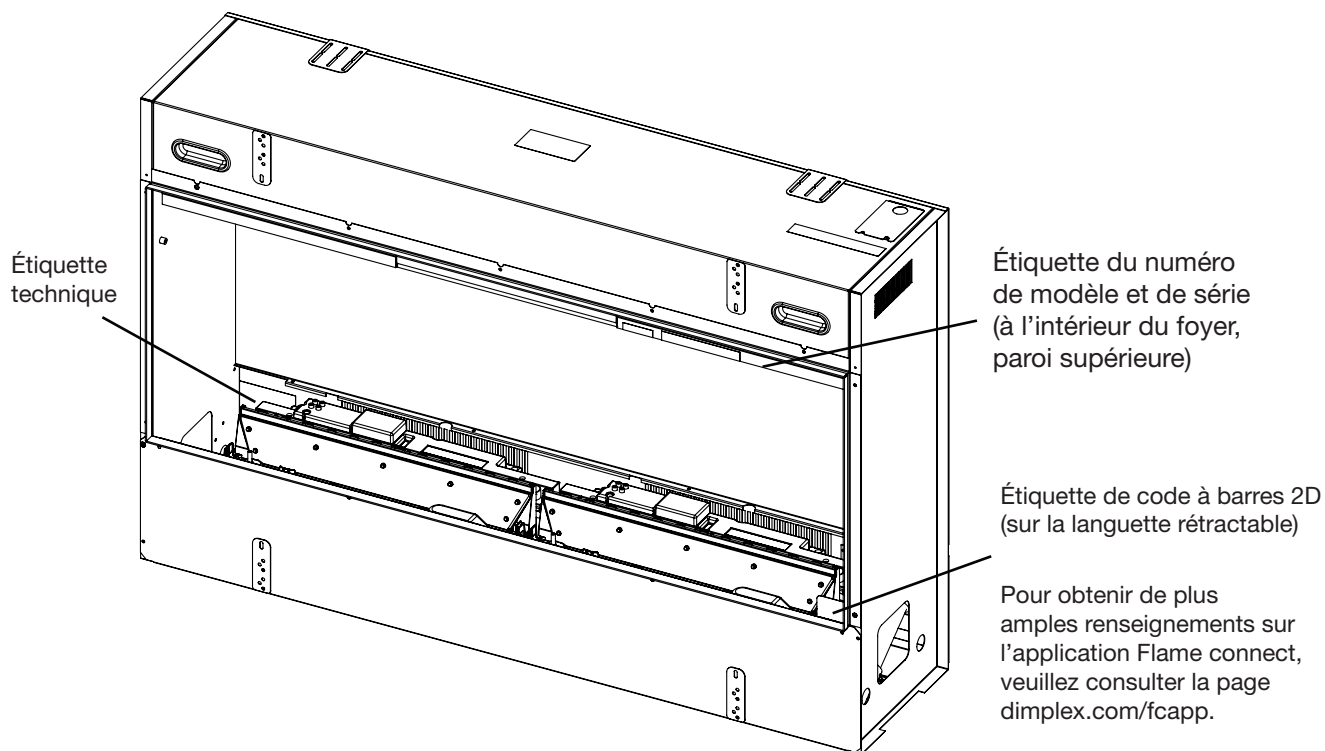
Merci et félicitations d'avoir choisi un foyer électrique fabriqué par Dimplex.

Lire ces consignes attentivement et les conserver.

⚠ AVERTISSEMENT : Lire attentivement toutes les consignes et tous les avertissements avant de procéder à l'installation. Le non-respect de ces consignes pourrait entraîner un risque de décharge électrique ou d'incendie et annulera la garantie.


Veillez prendre en note les numéros de modèle et de série du foyer à des fins de consultation ultérieure. Ceux-ci se trouvent sur l'étiquette situé sur le coin droit supérieur à l'intérieur de l'appareil.

Modèle _____	MOD _____
Numéro de série _____	



STOP IL N'EST PAS NÉCESSAIRE D'ALLER AU MAGASIN

Des questions à propos de l'utilisation ou du montage?
Besoin d'information sur les pièces? Besoin d'information à propos d'un produit sous une garantie du fabricant?

Communiquer avec nous à :  www.dimplex.com/soutien
pour le dépannage et le Service d'assistance technique

OU  **sans frais au 1 888 346-7539**

Afin que nous puissions mieux vous servir, veuillez avoir votre modèle et votre numéro de série à portée de main.

CONSIGNES DE SÉCURITÉ

Lorsqu'un appareil électrique est utilisé, il est important de toujours prendre des précautions de base pour réduire les risques d'incendie, de décharges électriques et de blessures, notamment :

- ① Lire toutes les instructions avant d'installer ou d'utiliser ce foyer électrique.
- ② Le foyer devient chaud lorsqu'il est en marche. Pour éviter les brûlures, ne pas toucher les surfaces chaudes. La bordure autour de la bouche de chaleur devient chaude lorsque les éléments chauffent.
- ⚠ DANGER :** Dans certaines conditions, des températures anormalement élevées peuvent être générées. Ne pas couvrir ni obstruer partiellement ou complètement la partie frontale de cet appareil de chauffage.
- ③ Faire preuve d'une grande prudence lorsque l'appareil de chauffage est utilisé par des enfants ou des personnes handicapées, s'il est en marche à proximité d'eux, ou s'il est en marche et laissé sans surveillance.
- ④ Toujours éteindre le foyer lorsqu'il n'est pas utilisé.
- ⑤ Ne pas utiliser le foyer suite à une défaillance, une chute, ou autre endommagement. Débrancher le foyer à partir du panneau principal et le faire inspecter par un électricien réputé.
- ⑥ Ne pas utiliser si le cordon est endommagé, si l'appareil a fait défaillance ou si le radiateur est tombé ou est endommagé de quelque manière que ce soit, contacter le service technique de Glen Dimplex Americas au 1-888-346-7539.
- ⑦ Ne pas utiliser à l'extérieur.
- ⑧ Ne jamais installer le foyer à un endroit où il est susceptible de tomber dans une baignoire ou dans tout autre réservoir d'eau.
- ⑨ Pour débrancher le foyer, l'éteindre à partir des commandes, puis couper le circuit au panneau principal.

- ⑩ Ne pas introduire ou permettre l'introduction de corps étrangers dans la prise d'air de ventilation ou la bouche de sortie d'air, car cela peut occasionner des décharges électriques, provoquer un incendie ou endommager le foyer.
- ⑪ Pour éviter un incendie, ne pas obstruer les entrées ou la sortie d'air d'aucune façon.
- ⑫ Tous les appareils de chauffage électriques contiennent des pièces qui chauffent et qui peuvent produire un arc électrique ou des étincelles. Ne pas faire fonctionner le foyer dans des endroits où de l'essence, de la peinture ou d'autres produits inflammables sont utilisés ou entreposés.
- ⑬ Ne pas modifier ce foyer. L'utiliser seulement de la manière décrite dans ce manuel. Tout autre usage peut provoquer un incendie, une décharge électrique ou des blessures.
- ⑭ Toujours faire appel à un électricien certifié si de nouveaux circuits ou prises sont nécessaires.
- ⑮ Toujours utiliser des prises correctement mises à la terre, munies d'un fusible et polarisées.
- ⑯ Fermer toute source d'alimentation électrique du foyer avant de le nettoyer, de le réparer ou de le déplacer.
- ⑰ Pendant le transport ou l'entreposage du foyer, le conserver dans un endroit sec et à l'abri de vibrations excessives, et le ranger de façon à éviter qu'il ne s'endommage.
- ⑱ Un nettoyage et un entretien réguliers sont nécessaires pour assurer un fonctionnement sûr et correct.

! NOTE : Les changements ou les modifications n'ayant pas fait l'objet d'une approbation expresse de la partie responsable de la conformité auront pour effet d'annuler le droit d'utilisation de l'appareil par l'utilisateur.

CONSERVER CES INSTRUCTIONS




MISE EN GARDE
RISQUE DE DÉCHARGES ÉLECTRIQUES
NE PAS OUVRIR
AUCUNE PIÈCE DONT L'ENTRETIEN PEUT ÊTRE EFFECTUÉ
PAR L'UTILISATEUR NE SE TROUVE À L'INTÉRIEUR




CONSIGNES DE SÉCURITÉ


Conformité à la FCC

 MISE EN GARDE : Cet appareil a été testé et jugé conforme aux limites autorisées pour un dispositif numérique de classe B, en vertu de la partie 15 des règlements de la FCC. Ces limites visent à offrir une protection raisonnable contre les interférences nuisibles dans une installation résidentielle. Cet appareil génère, utilise et peut émettre de l'énergie radioélectrique. S'il n'est pas installé et utilisé selon les instructions, il peut causer des interférences nuisibles à la réception des signaux de radio ou de télévision, ce qui peut être vérifié en mettant le commutateur de l'appareil en position de marche, puis d'arrêt. Nous recommandons à l'utilisateur de tenter d'éliminer les interférences à l'aide d'une ou de plusieurs des mesures suivantes :

- Changer l'orientation ou l'emplacement de l'antenne réceptrice.
- Augmenter la distance entre l'appareil et le récepteur.
- Brancher l'appareil dans une prise sur un circuit autre que celui où le récepteur est branché.
- Consulter le détaillant ou un technicien radio/télévision expérimenté pour obtenir de l'aide.

L'appareil est conforme à la partie 15 des règlements de la FCC. L'utilisation de l'appareil est assujettie aux deux conditions suivantes : (1) L'appareil ne doit pas causer d'interférences nuisibles. (2) L'appareil doit accepter toute interférence captée, y compris les interférences susceptibles de causer un fonctionnement indésirable.


 MISE EN GARDE DE LA FCC : Les changements ou les modifications n'ayant pas fait l'objet d'une approbation expresse de la partie responsable de la conformité auront pour effet d'annuler le droit d'utilisation de l'appareil par l'utilisateur.

 AVERTISSEMENT : Ce produit peut vous exposer à des agents chimiques, y compris le nickel identifié par l'État de Californie comme pouvant causer le cancer. Pour de plus amples informations, prière de consulter www.P65Warnings.ca.gov

Conventions utilisées dans ce manuel :

! NOTE : Marches à suivre et techniques considérées suffisamment importantes pour qu'on les souligne.

 MISE EN GARDE : Marches à suivre et techniques dont le non-respect pourrait causer des dommages matériels.

 AVERTISSEMENT : Marches à suivre et techniques qui, si elles ne sont pas bien respectées, exposeront l'utilisateur à des risques d'incendie, de blessure grave ou de décès.

Spécifications techniques

Caractéristiques électriques

Tension : 120 V (3-fils) ou 240 V (4-fils)

Puissance :

Modèle	120 V	240 V	Sans chauffage (120 V)
OLF46-AM	1220 W	1920 W	520 W
OLF66-AM	1480 W	2180 W	760 W
OLF86-AM	1020 W (voir note)	2400 W	1020 W

! NOTE : Lorsque le modèle OLF86-AM est connecté à 120 V, il n'y aura pas de chaleur, mais les fonctions de chauffage seront actives sur les commandes avec uniquement les ventilateurs en fonctionnement.

Homologation UL

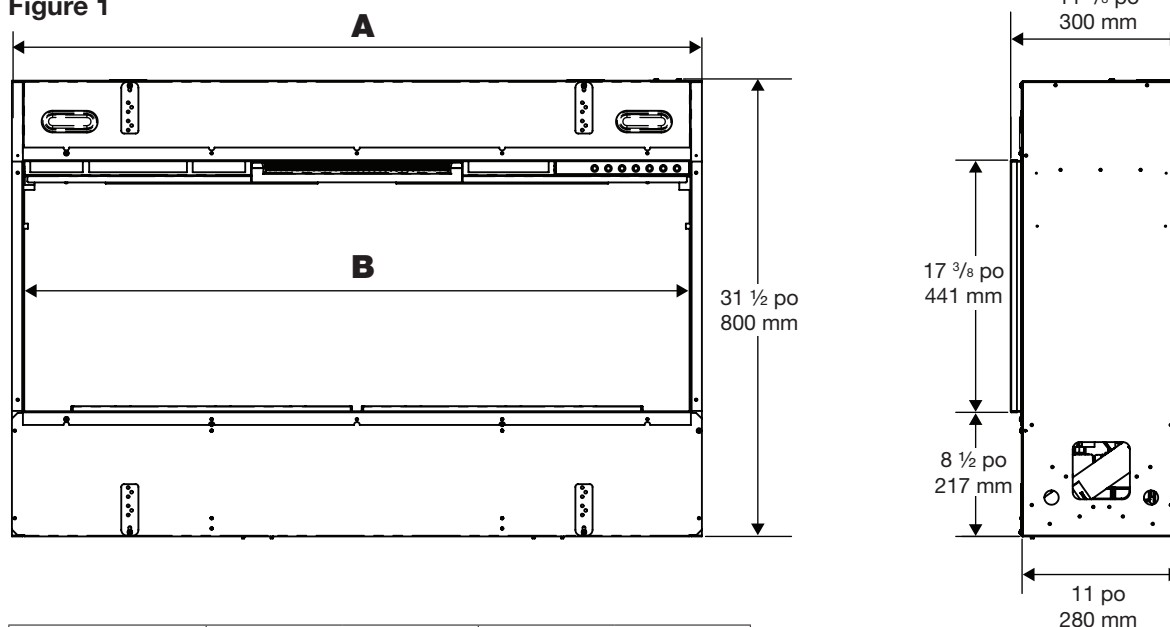
Numéro de dossier : E71416



Référence au modèle	
OLF46-AM	6911540100
OLF66-AM	6911540200
OLF86-AM	6911540300

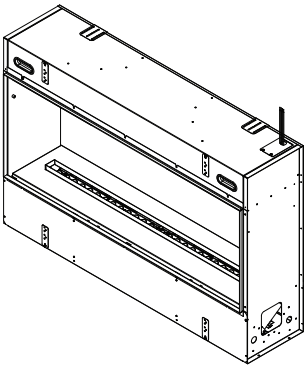
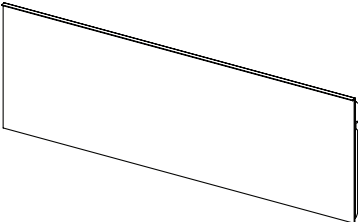




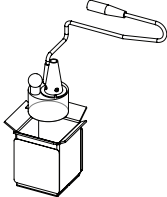
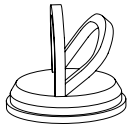
Dimensions du produit

Figure 1

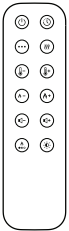
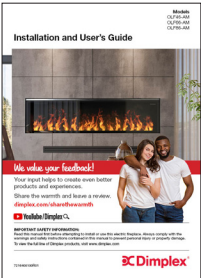
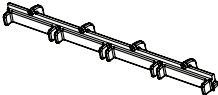

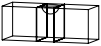



Modèle	A		B	
OLF46-AM	47 1/2 po	1206 mm	46 1/8 po	1170 mm
OLF66-AM	67 1/2 po	1714 mm	66 1/8 po	1678 mm
OLF86-AM	87 1/2 po	2222 mm	86 1/8 po	2186 mm

Contenu de l'emballage

Image	Description	Quantité		
		OLF46-AM	OLF66-AM	OLF86-AM
	Foyer	1	1	1
	Vitre frontale	1	1	1
	Sac de petits cristaux en acrylique	2	3	4
	Cristaux en acrylique larges	1	1	2
	Cristaux en acrylique extra-larges	1	1	1
	Bois de grève	8	12	15
	Transducteur de recharge <i>Le conserver dans un endroit sûr pour une utilisation ultérieure.</i>	2	3	4
	Ventouse <i>Ne pas jeter la ventouse suite à l'installation. La conserver dans un endroit sûr, car elle sera utile lors de l'entretien du foyer.</i>	2	2	2

Contenu de l'emballage

	<p>Télécommande <i>Comprend deux piles 3 V</i></p>	1	1	1
	<p>Guide d'utilisation et d'installation</p>	1	1	1
	<p>Déфлекteurs de vapeur</p>	4	6	8
	<p>Déфлекteurs de flamme fendus</p>	6	9	12
	<p>Niveau à bulle</p>	1	1	1
	<p>Vis à bois de 1 po (2,5 cm)</p>	4	4	4

*Le matériel inclus est sujet à changement

Emplacement

! **NOTE** : Il est recommandé d'installer le bas du foyer à une distance de 5 po (13 cm) à 50 po (127 cm) du sol afin d'obtenir une vue optimale de la flamme. (Figure 2)

Installation dans une salle de bain

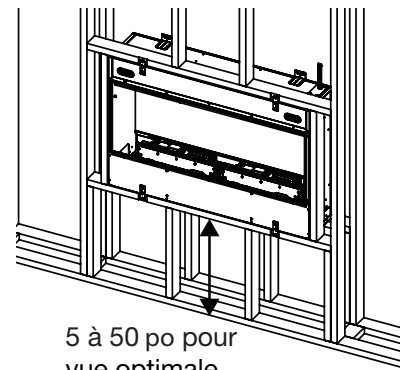
Si le foyer est installé dans une salle de bain, il doit être protégé par une prise à disjoncteur de fuite à la terre. Si une prise est utilisée, elle doit être facilement accessible.

Cet appareil électrique n'est PAS étanche. Pour éviter les décharges électriques, il doit être installé de manière à empêcher que de l'eau pénètre ou s'éloigne de la douche, de la baignoire, etc. Ne jamais installer le foyer à un endroit où il est susceptible de tomber dans une baignoire ou dans tout autre réservoir d'eau.

Recommandations d'installation pour les objets surplombants

Pour les objets surplombants sensibles à la température, comme un téléviseur, un manteau de foyer ou une œuvre d'art, toujours suivre les recommandations relatives à l'installation au-dessus d'un appareil de chauffage fournies par le fabricant.

Figure 2



5 à 50 po pour
vue optimale

Entrées d'air

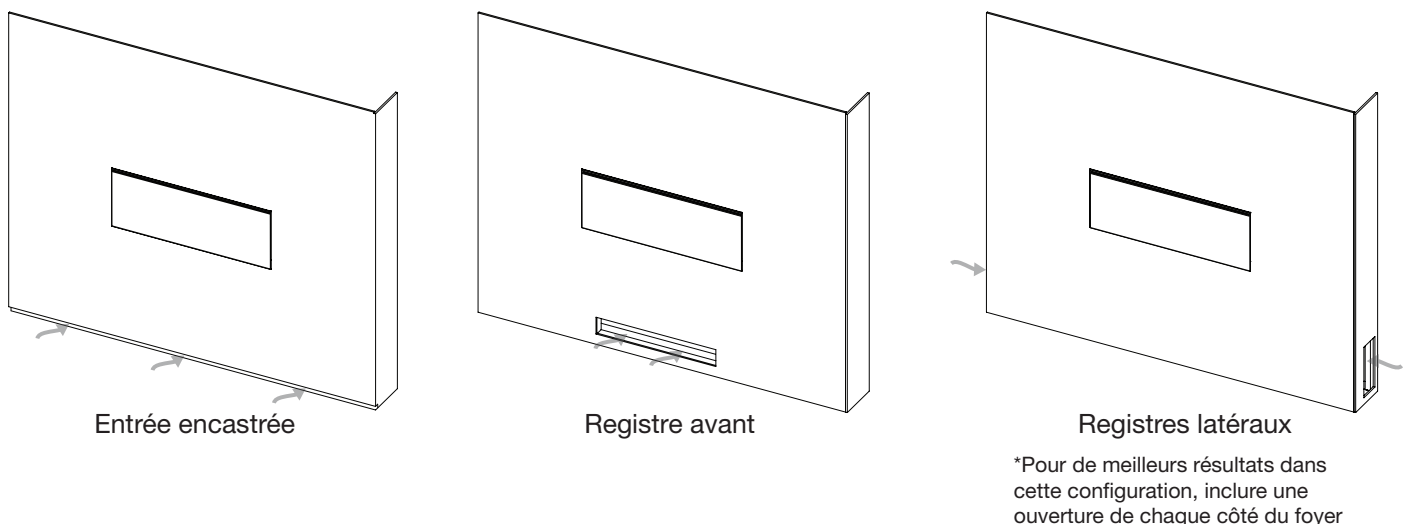
⚠ MISE EN GARDE : L'absence d'une entrée d'air entraînera une mauvaise performance de la flamme et endommagera le foyer.

Une entrée d'air est nécessaire. L'entrée d'air doit permettre au débit d'air d'atteindre le dessous de l'appareil. Cela devra être pris en compte dans l'installation de la charpente et des cloisons sèches. Voir le tableau ci-dessous pour les exigences d'entrée d'air pour chaque modèle. Voir la figure 3 pour des exemples d'incorporation d'entrées d'air frais dans l'installation.

Si l'entrée d'air est dissimulée à l'aide d'une grille, la zone couverte doit être compensée par une ouverture plus large.

Modèle	Aire requise pour l'entrée d'air	
OLF46-AM	80 po ²	516 cm ²
OLF66-AM	120 po ²	774 cm ²
OLF86-AM	160 po ²	1032 cm ²

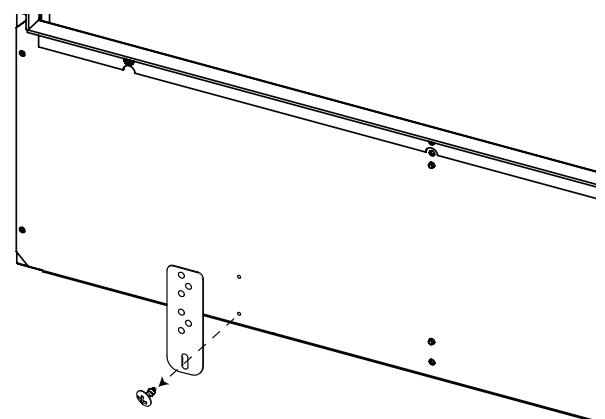
Figure 3



Préparation du foyer pour l'installation

1. L'appareil est fourni avec des supports de montage attachés (Figure 4). Retirer les supports de montage avant l'installation. Ils devront être réinstallés lors de l'installation une fois la chambre de combustion placée dans la charpente.
2. Installer le cordon d'alimentation facultatif, au besoin, (OLFPLUG, vendu séparément) en suivant les instructions dans la section *Installation électrique* (page 14).
3. Pour la désactivation permanente du chauffage uniquement : suivre les instructions pour déconnecter la fonction de chauffage dans la section *Déconnexion du matériel de chauffage* (page 16).

Figure 4



Préparation de la charpente

1. Préparer une charpente en suivant les dimensions du tableau ci-dessous. Des ouvertures sous l'appareil sont nécessaires pour permettre au flux d'air d'atteindre le dessous de l'appareil. (Figure 6)

Modèle	Dimensions de la charpente			Ouverture de cloison sèche	
	Largeur (minimum) A	Hauteur B	Profondeur (minimum) C	Largeur D*	Hauteur E*
OLF46-AM	48 po 1219 mm	31 ¾ po 806 mm	12 po 305 mm	46 ⅜ po 1174 mm	17 ½ po 445 mm
OLF66-AM	68 po 1727 mm			66 ⅜ po 1682 mm	
OLF86-AM	88 po 2235 mm			86 ⅜ po 2190 mm	

* Permet un dégagement de 2 mm tout autour

⚠ MISE EN GARDE : Ce foyer n'est PAS porteur. Assurer que l'ouverture du foyer est encadrée de manière à ce que le poids des matériaux de construction n'appuie pas de pression sur le dessus du foyer.

! NOTE : Le câblage est effectué dans le coin supérieur droit arrière du foyer. L'alimentation en eau est effectuée dans le coin inférieur gauche du foyer. Planifier la charpente pour permettre d'acheminer le câble d'alimentation électrique et l'alimentation en eau vers leur emplacement respectif.

! NOTE : S'assurer que l'appareil est de niveau et qu'il affleure l'ossature.

Figure 5

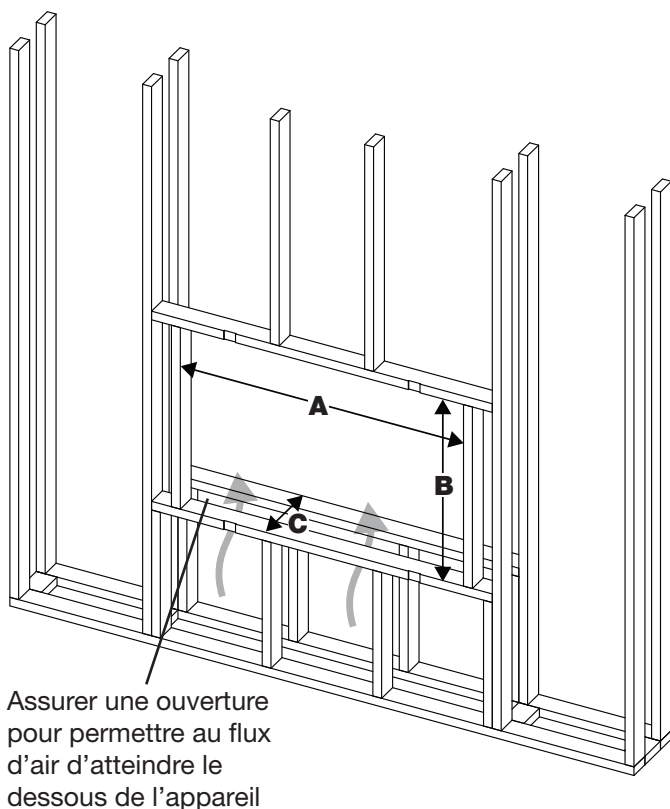
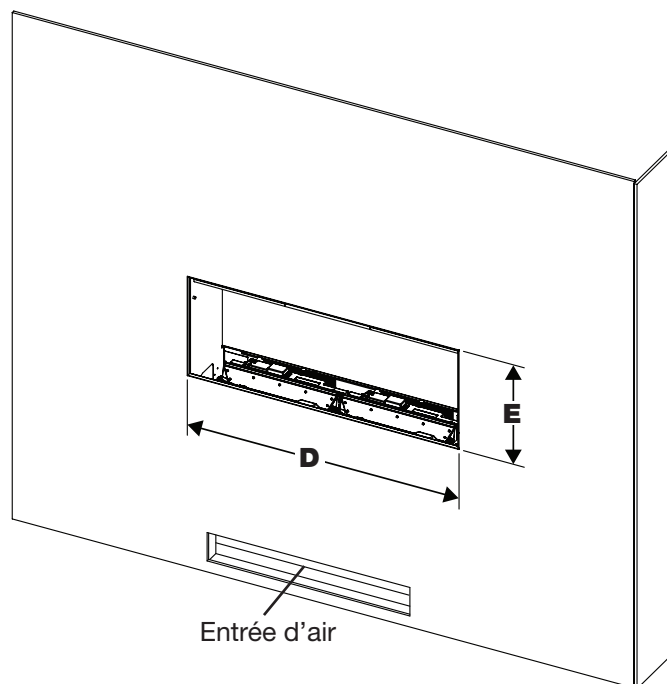


Figure 6



Instructions d'installation

! **NOTE** : Il est recommandé que l'installation soit effectuée par deux personnes.

1. Suivre les instructions de la section *Préparation du foyer pour l'installation* (page 10) avant de commencer.
2. Préparer une charpente, en suivant les dimensions de la section *Préparation de la charpente* (page 11).

⚠ **MISE EN GARDE** : Assurer qu'il y a une entrée d'air qui permet que le flux d'air atteigne le dessous de l'appareil.

3. Placer le foyer dans l'ouverture de la charpente. Assurer que l'appareil est de niveau. Un niveau à bulle est fourni.
4. Fixer le foyer à la charpente à l'aide des supports de montage précédemment retirés. L'appareil doit être fixé au châssis avec les supports de montage.

! **NOTE** : Pour éviter le renflement de la surface finie, encocher la charpente pour permettre aux supports de montage d'être affleurés contre la charpente. (Figure 7)

5. Raccorder l'appareil à l'alimentation en eau en suivant les instructions de la section *Raccordement à l'alimentation en eau* (page 13).
6. Retirer la plaque de connexion (dans le coin arrière supérieur droit de l'appareil) en retirant les 2 vis de fixation. (Figure 8)
7. Installer un connecteur de câble (non inclus) adapté à une installation dans un trou de 7/8 po (22 mm) sur la plaque et faire passer le câble d'alimentation à travers le connecteur de câble.
8. Effectuer le câblage conformément aux instructions de la section *Installation électrique* (pages 14–15). Réinstaller la plaque de connexion après avoir terminé le câblage.
9. Finir le mur jusqu'à la garniture si une installation permanente est souhaitée. Une garniture amovible peut être utilisée si désiré pour couvrir l'ouverture de la charpente afin de permettre le retrait du foyer sans endommager le mur fini.

⚠ **MISE EN GARDE** : Vérifier que les entrées d'air sont présentes lors de l'installation finale (voir *Entrées d'air*, page 10).

! **NOTE** : Il est recommandé que toute l'installation et la finition des cloisons sèches soient terminées une fois que l'appareil est entièrement installé, inspecté et opérationnel.

10. Terminer l'installation en utilisant les matériaux de finition de votre choix.
11. Placer les ornements et installer la vitre frontale.

Figure 7

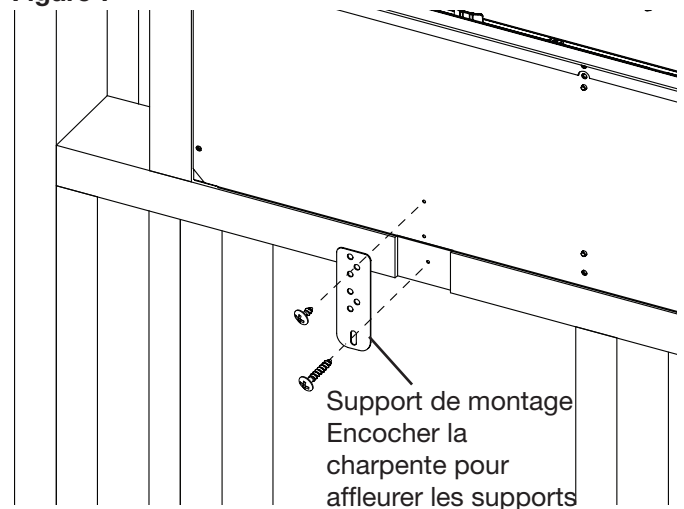
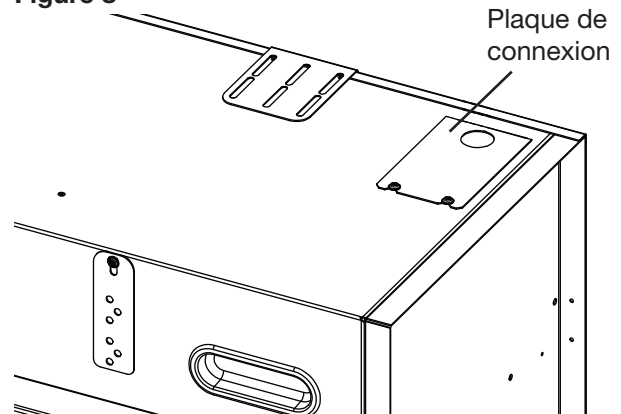


Figure 8



Raccordement à l'alimentation en eau

⚠ MISE EN GARDE : Assurer que tous les raccordements de plomberie répondent aux exigences du code de plomberie local. Assurer que l'emplacement de la connexion de plomberie permet un accès facile pour permettre l'arrêt lors de l'entretien régulier.

Qualité d'eau

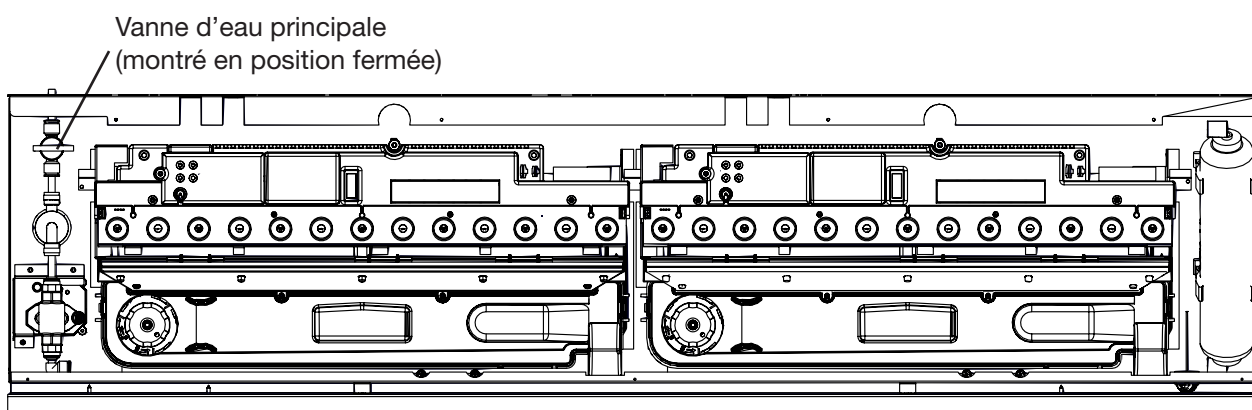
L'eau du robinet normale peut être utilisée dans l'Opti-myst®. Dans les zones où l'eau est dure, un adoucisseur d'eau est recommandé et un nettoyage et un entretien plus fréquents peuvent être nécessaires. L'eau non filtrée provenant d'un puits ou d'un autre approvisionnement non surveillé n'est pas recommandée. Le produit est fourni avec un filtre à mailles en ligne pour aider à éliminer les contaminants et prolonger la durée de vie du produit.

Instructions de plomberie

Les appareils sont conçus pour être raccordés en se connectant à une source d'eau à l'aide d'un tube de diamètre extérieur standard de 1/4 po (6,4 mm). Un kit d'accessoires de plomberie CDFIPLUMB-KIT, conçu pour être utilisé avec des tuyaux en cuivre, est disponible auprès de votre revendeur Dimplex.

1. Préparer une conduite d'eau froide à proximité de l'emplacement d'installation souhaité du foyer. Assurer que l'emplacement de la connexion de plomberie permet un accès facile pour permettre l'arrêt lors de l'entretien régulier.
! NOTE : Une fois les nouveaux raccordements de plomberie terminés, vérifier que les conduites sont rincées pour éviter que des débris ne pénètrent dans l'appareil.
 2. Soulever le plateau à ornements le mettre de côté.
 3. Connecter la conduite d'eau, réduite à un tube de 1/4 po, à la vanne principale située dans le coin inférieur gauche de l'appareil. (Figure 9)
- ⚠ MISE EN GARDE :** Couper l'extrémité du tube d'équerre pour éviter les fuites.
4. Connecter le tuyau d'alimentation en eau à la vanne d'eau principale en retirant la bague de verrouillage et en insérant le tuyau de manière à ce qu'il soit complètement inséré (environ 1/2 po [12 mm]). Réinstaller la bague de verrouillage.
 5. Terminer les étapes d'installation électrique avant d'ouvrir la vanne d'eau principale.
 6. Un amorçage (pré-remplissage d'eau) est nécessaire. Consulter Amorçage du réservoir d'eau à la page 22.

Figure 9



Bidons d'eau remplissables

! NOTE : Non recommandé pour les applications à usage fréquent.

Si un raccordement direct à une alimentation en eau n'est pas possible, le réservoir peut être rempli manuellement à l'aide de bidons remplissables Opti-Myst (9601350100RP) (non fourni) qui peuvent être achetés sur www.dimplex.com/replacement_parts. Un contenant sera nécessaire pour chaque module de flamme dans le foyer. Une recharge fournira jusqu'à 6 heures de fonctionnement de la flamme. La vitre avant et le plateau de support devront être retirés chaque fois que les contenants doivent être remplis.

Installation électrique

⚠ AVERTISSEMENT :

L'installation du foyer électrique doit être conforme aux codes de l'électricité locaux et/ou nationaux applicables et aux exigences des services publics..

Utiliser le câblage approprié aux codes de l'électricité locaux et nationaux et conforme à la consommation énergétique.

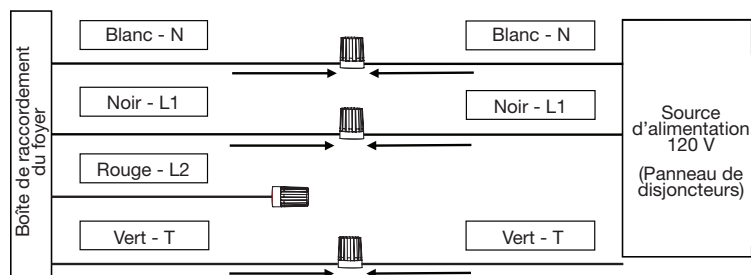
⚠ MISE EN GARDE : Un circuit dédié de 15 A relié à un fusible adéquat est recommandé, avec une tension nominale appropriée (120 V, 240 V). Un circuit dédié sera nécessaire si, après l'installation, le disjoncteur se déclenche ou si le fusible saute régulièrement pendant le fonctionnement de l'appareil de chauffage. L'ajout d'appareils sur le même circuit risque de dépasser la puissance nominale du disjoncteur.

Raccordement direct 120 V

! NOTE : Pour le OLF86-AM, la fonction de chauffage ne peut pas être utilisée lorsqu'il est alimenté en 120 V.

1. Raccorder le fil noir L1 du foyer au fil de charge de l'alimentation principale avec un capuchon de connexion.
2. Raccorder le fil blanc N du foyer au fil neutre de l'alimentation principale avec un capuchon de connexion.
3. Raccorder le fil de mise à la terre vert G du foyer au fil de mise à la terre de l'alimentation principale avec un capuchon de connexion ou relier le fil de mise à la terre au panneau à l'aide de la vis fournie, en insérant le fil entre la vis et la rondelle de blocage, et serrer.
4. S'assurer que tous les raccords sont bien serrés.

Figure 10



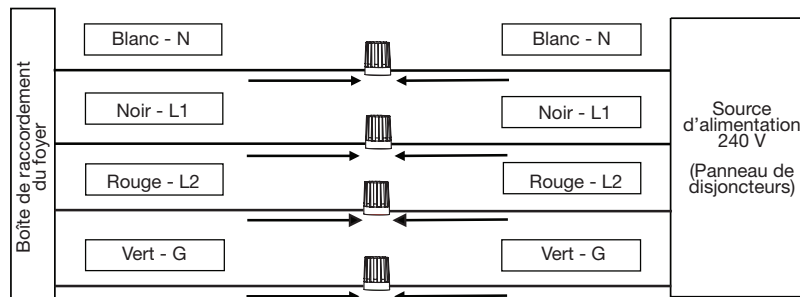
Installation

Raccordement direct 240 V

Un câble d'alimentation à 4 fils de 240 V (L1, L2, neutre et terre) est requis.

1. Raccorder le fil noir L1 du foyer au fil de charge de l'alimentation principale avec un capuchon de connexion.
2. Raccorder le fil jaune L2 du foyer au deuxième fil de charge de l'alimentation principale avec un capuchon de connexion.
3. Raccorder le fil blanc N du foyer au fil neutre de l'alimentation principale avec un capuchon de connexion.
4. Raccorder le fil de mise à la terre vert G du foyer au fil de mise à la terre de l'alimentation principale avec un capuchon de connexion ou relier le fil de mise à la terre au panneau à l'aide de la vis fournie, en insérant le fil entre la vis et la rondelle de blocage, et serrer.
5. S'assurer que tous les raccords sont bien serrés.

Figure 11



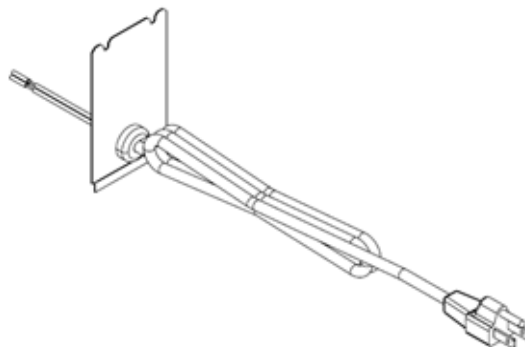
Ensemble de prise accessoire (OLFPLUG, vendu séparément)

⚠ AVERTISSEMENT : Le cordon d'alimentation facultatif ne convient qu'aux installations de 120 V.

1. Retirer les trois vis de la plaque de protection des composants électriques.
2. Raccorder le fil L noir de l'appareil au fil noir de l'ensemble de prise.
3. Raccorder le fil N blanc du foyer au fil blanc de l'ensemble de prise.
4. Raccorder le fil G vert du foyer au fil vert de l'ensemble de prise.
5. S'assurer que tous les raccords sont serrés.
6. Fixer en place la plaque de protection préinstallée du cordon d'alimentation à l'aide des vis retirées lors du retrait de la plaque de protection des composants électriques. La plaque de protection des composants électriques précédemment retirée peut être mise au rebut.

⚠ AVERTISSEMENT : Cet appareil de chauffage n'est pas conçu pour être utilisé avec une rallonge. Brancher le cordon directement dans une prise de courant murale appropriée.

Figure 12



Désactivation permanente du chauffage

L'appareil de chauffage du foyer peut être désactivé en permanence en retirant le cavalier électronique sur la carte de commande principale.

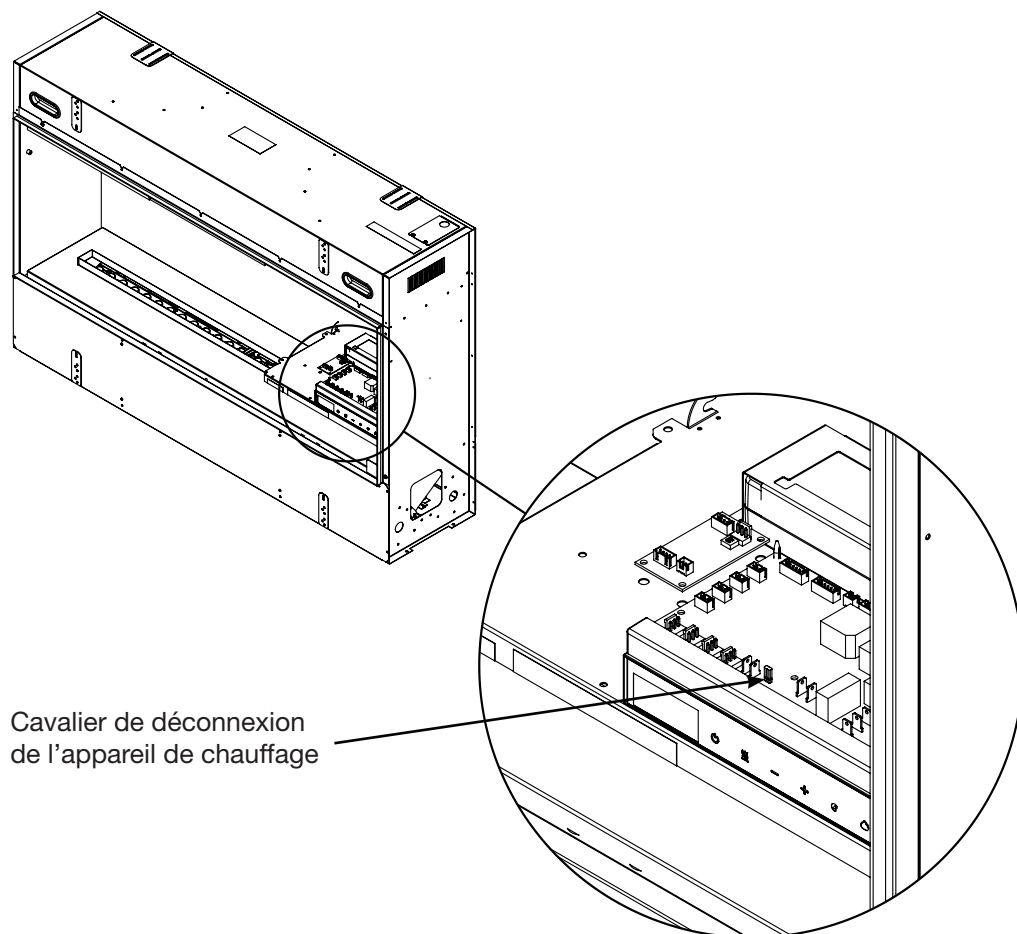
La déconnexion du chauffage désactivera de façon permanente la fonction de chauffage et le ventilateur. Suivre ces instructions UNIQUEMENT lorsqu'une installation sans chauffage est requise. La désactivation temporaire de l'appareil de chauffage peut être obtenue grâce aux commandes tactiles dissimulées. Voir « Désactivation du chauffage » dans la section *Utilisation* (page 20) pour obtenir des instructions.

Le ventilateur de recirculation et l'élément dans le module de flamme ne seront pas désactivés.

Pour déconnecter le chauffage et le ventilateur de façon permanente :

1. Retirer les 4 vis qui fixent les lumières DEL supérieures du côté droit et débrancher le fil.
2. Retirer les 5 vis qui fixent le panneau supérieur droit. Abaisser soigneusement le panneau supérieur, qui est maintenu par des charnières au boîtier.
3. Localiser la carte de commande principale. L'emplacement du cavalier de déconnexion du matériel de chauffage porte l'étiquette « J2 ». (Figure 13)
4. Retirer le cavalier de déconnexion de l'appareil de chauffage.
5. Fixer le panneau supérieur.
6. Rebrancher le fil pour les lumières DEL supérieures et les fixer en place.

Figure 13



Défecteurs de flamme

L'appareil est équipé de déflecteurs cassables et fendus pour créer une flamme personnalisée. L'appareil peut fonctionner avec ou sans les déflecteurs. Les déflecteurs créent un espacement qui permet de personnaliser l'apparence de la flamme.

Séparez les déflecteurs cassables en pliant la bande jusqu'à ce qu'elle se brise en 4 déflecteurs individuels. (Figure 15) Les déflecteurs à fente ne sont pas cassables.

Pour insérer les déflecteurs, utilisez un tournevis pour ouvrir avec précaution la fente de sortie de la flamme sur le couvercle supérieur. (Figure 14) Installez le déflecteur en plaçant le côté avec les deux languettes vers le bas, et en l'insérant de manière à ce que la lèvre du couvercle supérieur passe par-dessus le déflecteur. (Figure 16)

Placez les déflecteurs en travers de la fente de sortie de flamme comme vous le souhaitez pour créer l'apparence de flamme désirée.

Trois déflecteurs à fentes sont nécessaires pour couvrir chaque fente de sortie de flamme.

Figure 14

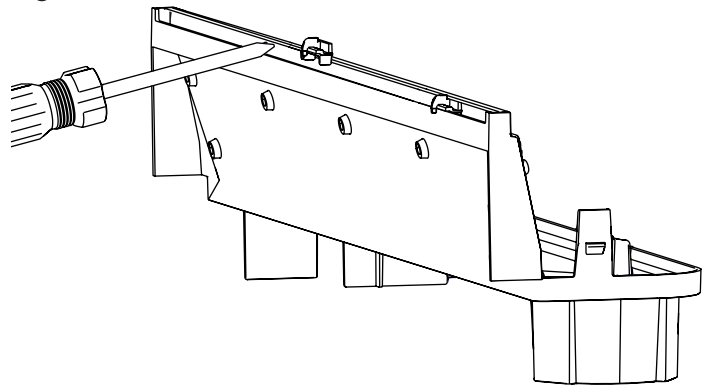


Figure 15

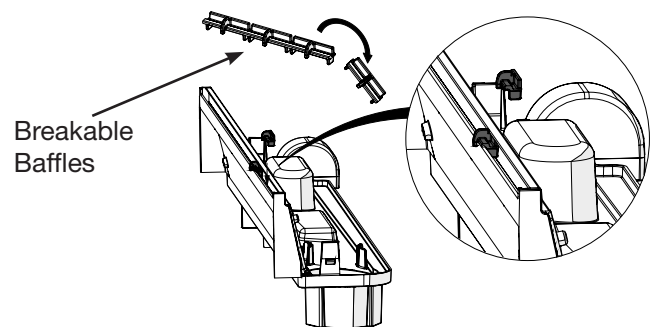
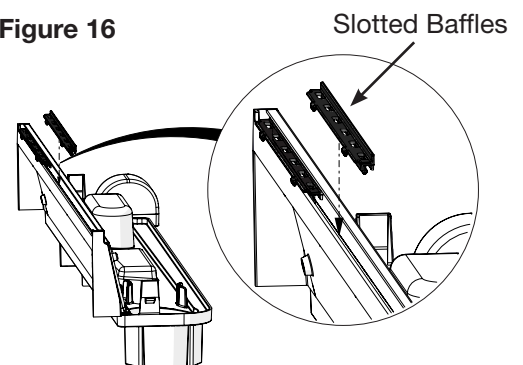


Figure 16



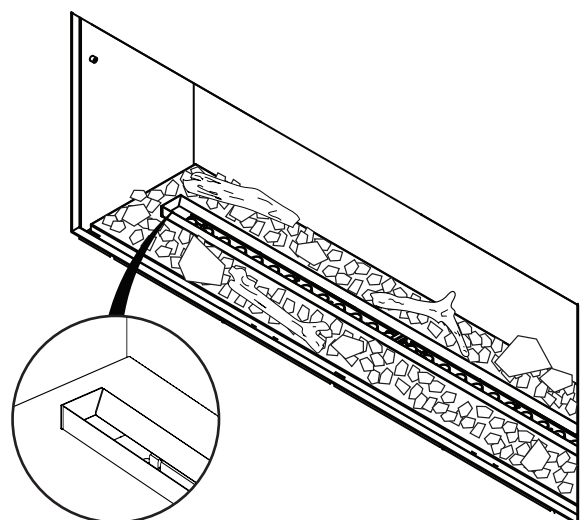
Disposition des ornements

1. Installer le plateau à ornement avec le côté incliné de la fente vers l'arrière du foyer. (Figure 17)
2. Disperser uniformément les plus petits cristaux pour couvrir entièrement le lit de braises.
3. Placer le bois flotté sur les cristaux.
4. Placer les cristaux larges et extralarges comme souhaité sur les plus petits cristaux et à côté du bois de grève.

! NOTE : Il n'est pas recommandé de positionner les morceaux de bois flotté à travers la fente de sortie de flamme. Si cette configuration est souhaitée, utiliser les déflecteurs fournis pour bloquer la vapeur sous la/ les bûche(s) afin d'éviter la condensation.

Il est possible d'utiliser des ornements personnalisés pour décorer votre foyer. Les ornements personnalisés doivent entrer facilement sans rayer la vitre et sans faire courber le lit de braises, et ne doit pas être composés de sable ou de liquide, ce qui pourrait nuire à la sécurité du foyer.

Figure 17



Installation de la vitre frontale

! **NOTE** : Deux personnes sont nécessaires pour l'installation de la vitre frontale.

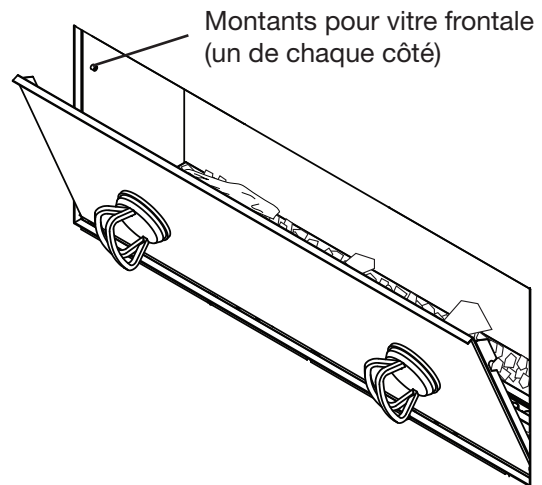
1. Veiller à ce qu'il n'y ait pas de débris ou de traces de doigts sur le côté intérieur de la vitre frontale avant de commencer l'installation.
2. Placer la ventouse fournie sur le côté extérieur de la vitre frontale. S'assurer que la ventouse est fixée solidement.
3. À l'aide de la ventouse, soulever la vitre et la placer directement devant le plateau à ornements à un léger angle.
4. Soulever légèrement la vitre avant pour accrocher la vitre avant sur les montants de chaque côté du foyer. (Figure 18)

! **NOTE** : Lorsqu'elle est installée correctement, la vitre avant ne doit pas obstruer les commandes tactiles cachées.

5. Retirer la ventouse et nettoyer les empreintes digitales ou les débris de la vitre avec un nettoyant pour vitres non abrasif.

! **NOTE** : Ne pas jeter la ventouse suite à l'installation. La conserver dans un endroit sûr, car elle sera utile lors de l'entretien du foyer.

Figure 18



Fonctionnement général

⚠ AVERTISSEMENT : Ce foyer électrique doit être correctement installé avant d'être utilisé.

Ce foyer utilise la technologie ComfortSaver^{MC}, qui ajuste automatiquement la vitesse du ventilateur et la puissance du radiateur pour correspondre en toute sécurité et avec précision aux exigences de la pièce en fonction du réglage du thermostat.

! NOTE : L'élément retient la chaleur après l'arrêt. Lorsque le chauffage est éteint, il y a une période de refroidissement de 30 secondes avant que le ventilateur ne s'arrête complètement.

! NOTE : Après une panne de courant l'appareil sera en mode veille et retiendra les réglages définis précédemment.

Interrupteur

L'interrupteur d'alimentation principal (Marche/Arrêt) est situé derrière la vitre avant dans le coin supérieur droit à l'intérieur du foyer.

Commandes tactiles dissimulées

Les commandes tactiles dissimulées sont situées à droite dans le haut du foyer. (Figure 19)

Pour activer les commandes, toucher la zone à côté de l'écran. Après 20 secondes d'inactivité, les commandes reviennent à l'état masqué.

! NOTE : En mode veille, le  reste allumé.

Télécommande

Le foyer est livré avec une télécommande Bluetooth multifonction. (Figure 20)

Application mobile

Le foyer peut être contrôlé à l'aide de l'application Flame connect pour appareils mobiles. Pour obtenir des renseignements à jour sur l'application, visiter la page www.dimplex.com/fcapp.

! NOTE : Le foyer ne fonctionnera pas avec la télécommande fournie lorsque l'application est ouverte sur un appareil mobile jumelé. Un voyant bleu s'allumera sur l'affichage du foyer lorsque l'application est utilisé.

Figure 19

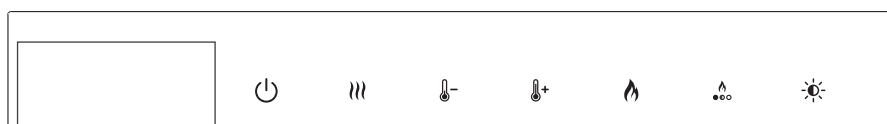
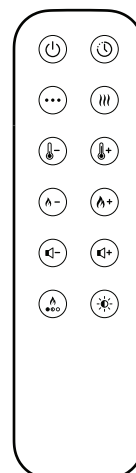


Figure 20

















Utilisation

	Veille	Appuyer sur pour allumer l'appareil ou pour le mettre en mode veille. Il y a un bref délai après avoir appuyé sur avant que l'appareil ne s'allume. Lorsque l'appareil est allumé, il y a une séquence de préchauffage de 3 minutes avant que l'effet de flamme ne commence.
	Chauffage	Appuyer sur pour activer ou désactiver la fonction de chauffage. Lorsque le chauffage est allumé, la température réglée clignote brièvement (##5T), suivi de la température ambiante de la pièce. Lorsque le chauffage est éteint, le ventilateur continue de fonctionner pendant 30 secondes supplémentaires pour dissiper la chaleur résiduelle.
Désactivation du chauffage		Appuyer simultanément sur les touches et pendant trois secondes pour désactiver ou activer la fonction de chauffage. Cette action doit être effectuée au moyen des commandes tactiles dissimulées . Lorsque le chauffage est désactivé et que l'utilisateur appuie sur , OFF s'affiche à l'écran.
	Augmentation de la température	Appuyer sur pour augmenter le réglage de la température. La température peut être réglée entre 15 °C et 30 °C (59 °F à 86 °F).
	Diminution de la température	Appuyer sur pour diminuer le réglage de la température.
Affichage de la température (°C ↔ °F)		Appuyer simultanément sur les touches et pendant trois secondes pour changer l'unité de température affichée. Cette action doit être effectuée au moyen des commandes tactiles dissimulées .
	Intensité de la flamme	Appuyer plusieurs fois sur pour ajuster le réglage de l'intensité de la flamme. L'affichage indique LOW (faible), MED (moyen) or HIGH (élevé). ! NOTE : Attendre 15 minutes de fonctionnement avant de régler l'intensité de la flamme.
Boost du ventilateur d'extraction		Le boost du ventilateur d'extraction réduit l'excès de buée pouvant apparaître dans le foyer. Appuyer sur pendant 5 secondes pour activer le boost du ventilateur d'extraction. Une fois terminé, la flamme reprendra sur le réglage faible. Cette action doit être effectuée au moyen des commandes tactiles dissimulées .
	Ambiances et thèmes de flamme	Appuyer plusieurs fois sur pour faire défiler les huit Ambiances et thèmes de flamme : 1 - Flamme naturelle 2 - Bleu 3 - Violet 4 - Rouge 5 - Bleu vert 6 - Mode Prism - le lit de braises et l'éclairage supérieur alternent entre les couleurs 7 - Kaléidoscope - le lit de braises et l'éclairage supérieur alternent entre les couleurs à différentes vitesses 8 - Personnalisé (application requise)
	Luminosité	Appuyer plusieurs fois sur pour alterner entre les modes de luminosité : 1 - Luminosité niveau 1 2 - Luminosité niveau 2 3 - Luminosité niveau 3 4 - Luminosité niveau 4 5 - Luminosité niveau 5 6 - Effet pulsant

Utilisation

Fonctions supplémentaires à partir de la télécommande

	Minuterie	<p>Appuyer plusieurs fois sur  jusqu'à ce que le nombre d'heures souhaité pour la minuterie soit affiché. Lorsque cette fonction est active, le foyer s'éteint après une durée prédéterminée. La minuterie peut être réglée pour des plages de temps allant de 30 minutes (<i>0.5Hr</i> sera affiché à l'écran) à 8 heures, par intervalles de 30 minutes.</p> <p>Pour désactiver la minuterie, appuyer sur  à plusieurs reprises jusqu'à ce que <i>OFF</i> soit affiché à l'écran.</p> <p>Lorsque la minuterie est active, appuyer sur la touche de la minuterie pour afficher le temps résiduel.</p>
	Mode de chauffage	<p>Appuyer plusieurs fois sur ••• pour alterner entre les quatre modes de chauffage :</p> <p>Normal : Le chauffage s'ajustera automatiquement pour atteindre et maintenir la température définie.</p> <p>Mode Éco : Le chauffage fonctionnera à puissance réduite pour économiser de l'énergie.</p> <p>Mode Boost : Le chauffage fonctionnera à la puissance maximale pendant une période prédéterminée, puis reviendra au mode de chauffage normal. <i>5T1</i> indique 5 minutes, <i>5T2</i> indique 10 minutes et <i>5T3</i> indique 15 minutes.</p> <p>Protection contre le gel : L'appareil de chauffage maintient la température ambiante à 7 ° C (45 ° F). Pour indiquer ce mode, les DELs supérieurs sont bleus et l'afficheur indique <i>-FP-</i> en permanence. L'effet de flamme ne peut pas être activé dans ce mode.</p> <p>Ventilateur : Le ventilateur fonctionne sans chaleur pour faire circuler l'air dans la pièce.</p>
	Augmentation de l'intensité de la flamme	Appuyer sur  pour augmenter le réglage de l'intensité de la flamme à <i>MED</i> (moyen) ou <i>HIGH</i> (élevé).
	Diminution de l'intensité de la flamme	Appuyer sur  pour diminuer le réglage de l'intensité de la flamme à <i>LOW</i> (faible) ou <i>MED</i> (moyen).
	Augmentation du volume	Appuyer plusieurs fois (ou maintenez enfoncé)  pour augmenter le niveau de volume de l'effet sonore de crépitement.
	Diminution du volume	Appuyer plusieurs fois (ou maintenez enfoncé)  pour diminuer le niveau de volume de l'effet sonore de crépitement.
		<p>Le volume de l'effet sonore de crépitement peut être réglé pour désactiver le son et jusqu'au niveau 6.</p> <p>Appuyez sur  ou  pour afficher brièvement le réglage de volume actuel.</p>

Réarmement du disjoncteur du circuit de la température



En cas de surchauffe de l'appareil de chauffage, un limiteur manuel éteindra l'appareil et il ne se rallumera pas sans être réinitialisé. Il peut être réinitialisé en éteignant l'appareil à partir de l'interrupteur d'alimentation principal ou sur le panneau de déconnexion principal et en attendant 10 minutes avant de rallumer l'appareil.

⚠ MISE EN GARDE: S'il est nécessaire de réarmer constamment l'appareil, le désactiver au panneau principal et communiquer avec le Service d'assistance technique au : 1 888 346-7539.

Réinitialisation d'usine

Effectuer une réinitialisation d'usine restaurera tous les paramètres par défaut, déconnectera l'unité de l'application mobile si elle est connectée et supprimera tous les utilisateurs principaux et invités. Cela peut également aider à résoudre les problèmes de connexion à l'application Flame Connect.



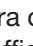

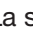
Pour réinitialiser tous les paramètres par défaut :

1. Couper l'alimentation pendant 10 secondes à partir de l'interrupteur d'alimentation.
2. Remettre le courant. L'appareil commencera la séquence de préchauffage.
3. Une fois la séquence de préchauffage terminée, appuyer simultanément sur les touches  et  pendant dix secondes. Cette action doit être effectuée au moyen des **commandes tactiles dissimulées**.

Amorçage du réservoir d'eau

L'appareil devra être amorcée avec de l'eau avant la première utilisation et chaque fois que les réservoirs sont complètement vidés (comme après le nettoyage ou l'entretien).

Une fois que l'appareil est connectée à l'alimentation en eau et en électricité, amorcer les réservoirs à l'aide des commandes tactiles dissimulées (**Figure 19**) en suivant ces étapes :

1. Vérifier que le robinet d'eau est ouvert. (**Figure 9, page 13**)
2. Mettre l'interrupteur d'alimentation en position de marche.
3. Lorsque l'appareil est en mode veille, appuyer sur  pendant 5 secondes. L'appareil restera en mode veille et l'icône d'intensité de la flamme () s'allumera.
4. Appuyer sur  pendant 3 secondes. L'affichage fera défiler le texte « *FILLING* » (remplissage) pendant la durée de l'amorçage. Une fois le remplissage terminé, l'affichage montre « *FULL* » (plein), l'icône  disparaîtra et 4 bips suivront. L'appareil reviendra en mode veille.
5. Pour démarrer l'appareil, appuyer sur  une fois. La séquence de préchauffage commencera.

Remplacement de la pile de la télécommande

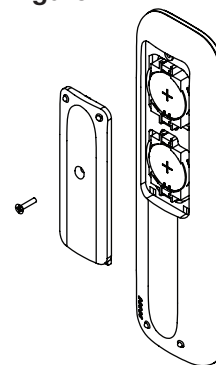
Pour remplacer les piles :

1. Retirer le couvercle de la batterie de la télécommande à l'aide du tournevis cruciforme.
2. Installer correctement une pile de 3 volts (CR2032 ou semblable) dans le compartiment à pile, assurant que le + soit orienté vers le haut.
3. Refermer le compartiment à piles à l'aide de la vis retirée précédemment.



La pile usagée doit être recyclée ou éliminée de façon adéquate. Vérifier auprès des autorités locales ou de votre détaillant s'ils peuvent vous donner des conseils en matière de recyclage dans votre région.

Figure 21



Nettoyage

⚠ AVERTISSEMENT : Débrancher l'appareil et laisser refroidir l'appareil de chauffage avant tout entretien ou nettoyage afin de réduire le risque d'incendie, de décharges électriques ou de blessures.

⚠ MISE EN GARDE : L'appareil de chauffage ne doit pas être utilisé si de la poussière ou de la saleté se sont accumulées sur l'appareil. Cela pourrait entraîner une accumulation de chaleur qui pourrait à son tour causer des dommages. Pour cette raison, le foyer doit être inspecté régulièrement, selon ses conditions d'utilisation, et au moins une fois par année.

Nettoyage des surfaces du foyer

Utiliser uniquement un chiffon humide pour nettoyer la vitre et les surfaces peintes du foyer. La face intérieure de la vitre peut parfois devenir trouble et nécessiter un nettoyage. Ne pas utiliser de nettoyeurs abrasifs.

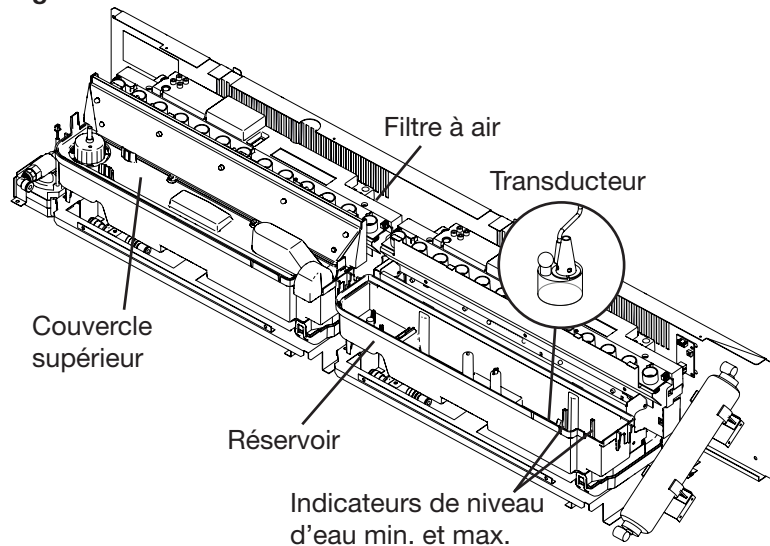
Nettoyage des composants

Il est nécessaire que le couvercle supérieur, le réservoir, le bidon d'eau (le cas échéant) et les transducteurs soient nettoyés régulièrement à l'eau et au savon, **au moins une fois par mois**. Un nettoyage plus fréquent peut être nécessaire en fonction de la qualité de l'eau.

⚠ MISE EN GARDE : Ne pas mettre de composants en plastique dans le lave-vaisselle.

Les filtres à air peuvent être retirés et rincés doucement à l'eau pour nettoyer et sécher sur une serviette avant de les réinstaller. Réinstaller le filtre de sorte que le côté noir du filtre soit face à l'arrière de l'appareil.

Figure 22



Remplacement du transducteur

Après une utilisation prolongée, la capacité de l'appareil à produire de la vapeur peut être réduite. Si le nettoyage n'améliore pas les performances de l'effet de flamme, le remplacement du transducteur peut être nécessaire. Le foyer est livré avec des transducteurs de remplacement. Des transducteurs supplémentaires peuvent être achetés sur www.dimplex.com/replacement_parts (9601210100RP).


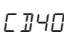
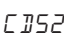
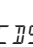

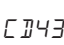
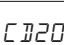
! NOTE : Pour retirer le transducteur, relâcher la languette de retenue dans le réservoir et retirer le transducteur.

Entretien

À l'exception de l'installation et du nettoyage décrits dans ce manuel, un représentant de service agréé doit effectuer tout autre entretien.

Dépannage

Pour obtenir d'autres renseignements relatifs au dépannage, consulter le guide d'entretien du modèle OLF, qui se trouve à l'adresse www.dimplex.com/customer_support/technical_and_troubleshooting

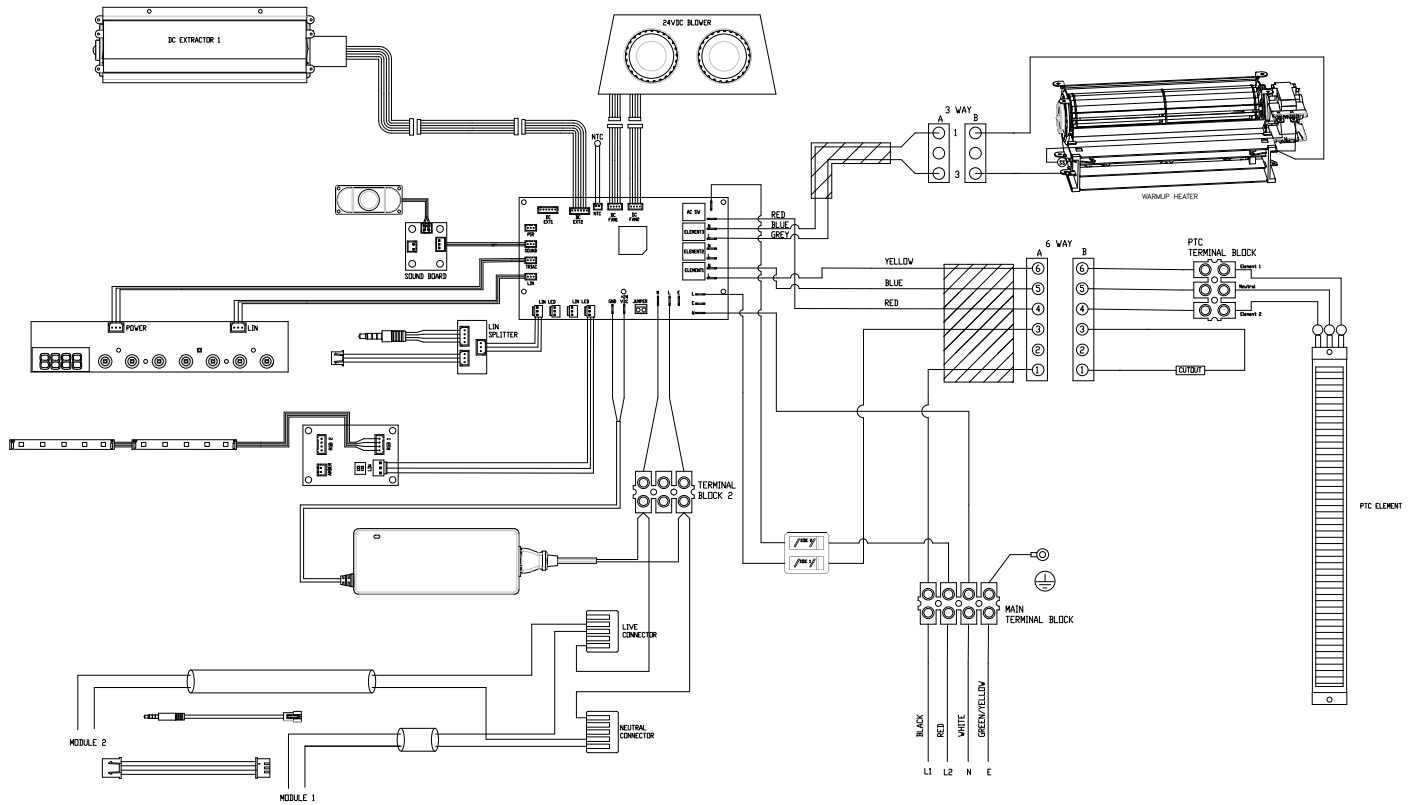
Problème	Affichage	Cause	Solution
Le foyer ne s'allume pas avec les commandes tactiles manuelles	S. O.	Fonctionnement normal	Il y a un bref délai suite à l'appui du 
		Aucune alimentation entrante	S'assurer que l'appareil est câblé correctement. Vérifier le tableau électrique. S'assurer que l'interrupteur est allumé.
		Erreur relative au commandes tactiles dissimulées	Consulter le guide d'entretien.
Le foyer ne s'allume pas avec la télécommande	S. O.	La pile de la télécommande est épuisée ou mal installée	Remplacer la pile de la télécommande. S'assurer que la pile est installée de façon à ce que le symbole + soit vers le haut.
	Voyant Bleu	L'application Flame Connect est ouverte sur un appareil mobile.	Fermer l'application Flame Connect sur tous les appareils mobiles pour permettre l'utilisation de la télécommande.
	S.O.	La télécommande n'est pas synchronisée avec le foyer.	Redémarrer l'appareil en coupant l'alimentation à l'aide de l'interrupteur d'alimentation ou du disjoncteur pendant 10 secondes avant de la rallumer. Appuyer sur n'importe quel bouton de la télécommande.
Le chauffage est allumé, mais il n'y a aucune chaleur	-##5T-	La consigne de température est inférieure à la température ambiante.	Augmenter la consigne afin qu'elle soit supérieure à la température ambiante.
Le disjoncteur se déclenche ou le fusible saute lorsque le foyer est mis en marche	S. O.	La puissance nominale du disjoncteur est inadéquate.	Installer l'appareil sur un circuit dédié d'une tension minimale de 15 A.
La vitre s'embue	S.O.	Excès d'humidité	Utiliser le Boost du ventilateur d'extraction au besoin pour éliminer l'excès d'humidité à l'intérieur de l'appareil. (Consulter la p. 20) Si la buée persiste, réduire l'intensité de la flamme.
L'effet de flamme n'est pas uniforme sur tous les modules	S. O.	Fonctionnement normal; une légère variation de l'épaisseur et de la hauteur de l'effet de flamme d'un module à l'autre est à prévoir.	Aucune action requise.
		Fonctionnement normal au démarrage.	Laisser l'appareil se réchauffer pendant 10 à 15 minutes afin que l'effet de flamme se stabilise.
		Le transducteur ne fonctionne pas de façon optimale.	Nettoyer les composants du module, y compris le transducteur. Si le problème persiste, remplacer le transducteur.
La chaleur ne s'allume pas		L'appareil de chauffage est désactivé.	Appuyer simultanément sur les touches  et  pendant trois secondes pour désactiver ou activer la fonction de chauffage.
		La fonction de chauffage a été désactivée en permanence.	Si une installation avec la fonction de chauffage est désirée, replacer le cavalier sur la carte de commande principale, le cas échéant, ou acheter une nouvelle carte de commande principale.
		Erreur relative à la thermistance ambiante CTN	Consulter le guide d'entretien.

Dépannage

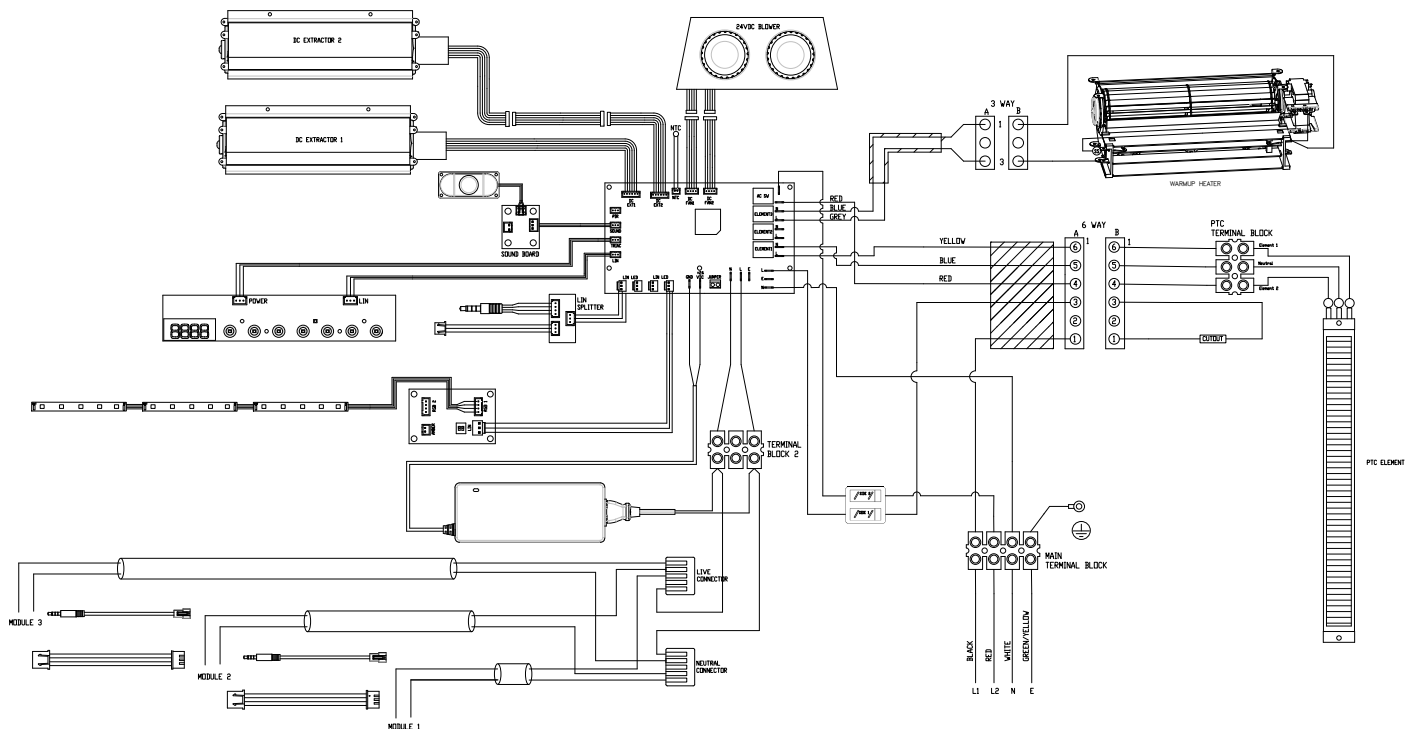
Problème	Affichage	Cause	Solution
La chaleur ne s'allume pas	Ⓛ 123	Erreur relative à la thermistance CTN à bord	Éteindre l'appareil à partir de l'interrupteur d'alimentation. Vérifier qu'il n'y a pas de blocage de l'échappement du radiateur. Laisser l'appareil refroidir pendant 30 minutes. Si l'erreur persiste, consulter le guide d'entretien.
	Ⓛ 133	Surchauffe de la carte de commande principale détectée	Éteindre l'appareil à partir de l'interrupteur d'alimentation. Laisser l'appareil refroidir pendant 30 minutes. Si l'erreur persiste, consulter le guide d'entretien.
	Ⓛ 134	Erreur relative au ventilateur de l'appareil de chauffage	Consulter le guide d'entretien.
L'effet de flamme ne démarre pas Dans certains cas, l'écran affiche un code d'erreur suivi d'un X pour indiquer quel(s) réservoir(s) a/ont enregistré l'erreur. Par exemple, lorsqu'il y a trois modules de flamme et que celui du milieu est affecté, l'écran affichera le code d'erreur, suivi de _X_.	Ⓛ 144	Erreur relative au(x) ventilateur(s) extracteur(s).	Consulter le guide d'entretien.
	Ⓛ 145	Nombre incorrect de modules détectés.	Consulter le guide d'entretien.
	Ⓛ 151	Faible niveau d'eau dans l'un des réservoirs.	Redémarrer l'appareil en coupant l'alimentation à l'aide de l'interrupteur d'alimentation ou du disjoncteur pendant 10 secondes avant de la rallumer. Vérifier les connexions de plomberie. Si l'erreur persiste, consulter le guide d'entretien.
	Ⓛ 15b	Le temps de remplissage du réservoir a été dépassé.	Redémarrer l'appareil en coupant l'alimentation à l'aide de l'interrupteur d'alimentation ou du disjoncteur pendant 10 secondes avant de la rallumer. Vérifier la pression de l'eau et les raccordements de plomberie. Si l'erreur persiste, consulter le guide d'entretien.
	Ⓛ 157	Fuite possible dans l'appareil.	Inspecter les modules pour détecter d'éventuelles fuites. Si l'erreur persiste, consulter le guide d'entretien.
	Ⓛ 158	Un débordement a été détecté.	Inspecter les modules et retirer soigneusement l'excès d'eau. Consulter le guide d'entretien.
Erreur liée à l'application Flame Connect	Ⓛ 153	Les paramètres de la minuterie ne sont pas synchronisés avec l'application.	Ouvrir l'application sur un appareil mobile pour synchroniser les paramètres.

Schémas de câblage

OLF46-AM

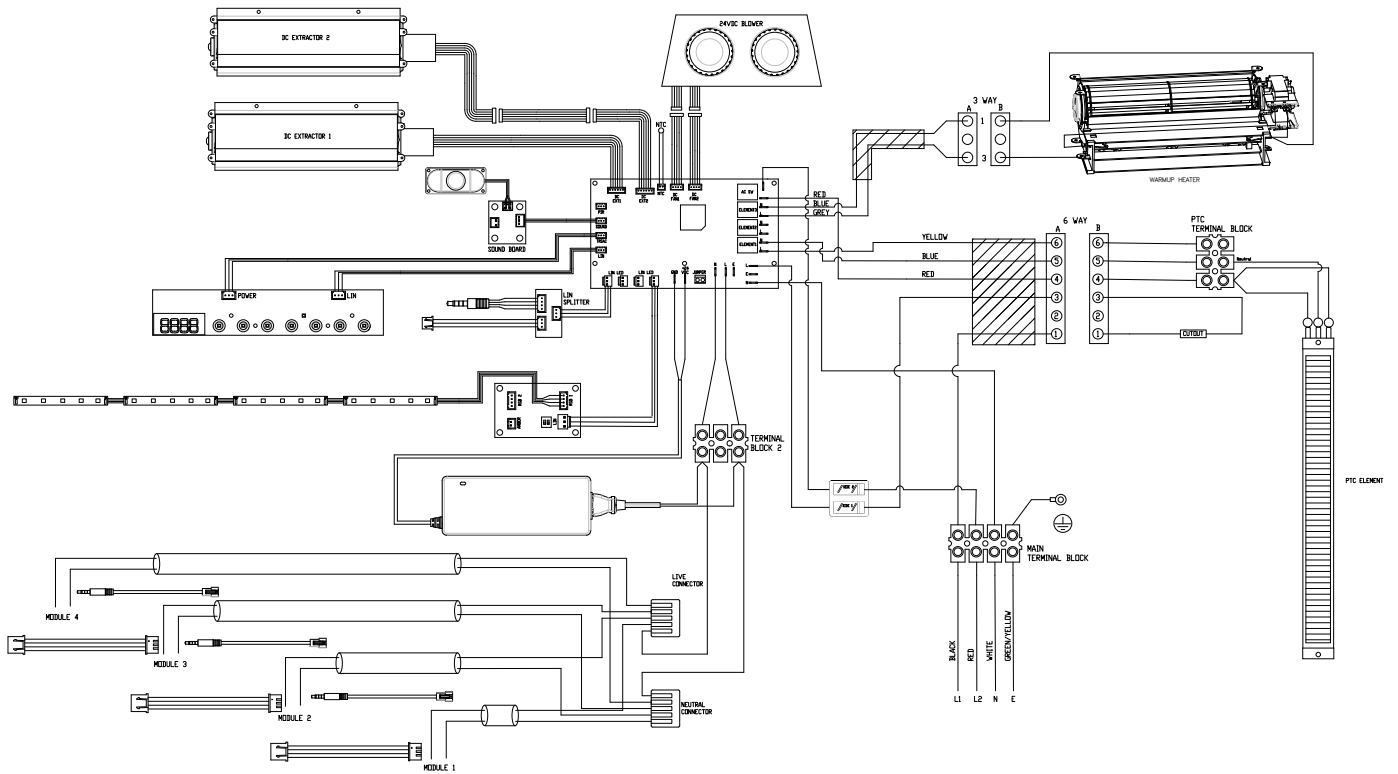


OLF66-AM



Schémas de câblage

OLF86-AM



GARANTIE LIMITÉE DE 5 ANS APPLICABLE À OPTI-MYST LINEAR^{MC}

Section 1 : Produits couverts par la présente garantie limitée

La présente garantie limitée s'applique à votre nouveau foyer électrique de Dimplex – numéros de modèle OLF46-AM, OLF66-AM et OLF86-AM.

La présente garantie limitée ne s'applique qu'aux achats effectués dans l'une des provinces du Canada, à l'exception du Yukon, du Nunavut et des Territoires du Nord-Ouest, ou dans l'un des 50 États américains (incluant le district fédéral de Columbia), à l'exception d'Hawaï et de l'Alaska. La présente garantie limitée est valable seulement pour l'acheteur initial du produit et ne peut être transférée.

Section 2 : Produits non couverts par la présente garantie limitée

Les produits achetés au Yukon, au Nunavut, dans les Territoires du Nord-Ouest, à Hawaï ou en Alaska ne sont pas couverts par la présente garantie limitée. Les produits achetés dans ces États, provinces ou territoires sont vendus TELS QUELS sans aucune garantie ni condition que ce soit, y compris toute garantie ou condition implicite de qualité marchande ou de convenance à un usage particulier. L'acheteur doit assumer tous les risques relatifs à la qualité et au rendement des produits. En cas de défectuosité, tous les frais d'entretien ou de réparation nécessaires incombent à l'acheteur.

Section 3 : Couverture et durée de la présente garantie limitée

Les produits Opti-Myst Linear^{MC} OLF46-AM, OLF66-AM et OLF86-AM, à l'exception des garnitures et des trousseaux d'accessoires, sont couverts par la présente garantie limitée et ont été testés et inspectés avant l'envoi. Conformément aux dispositions de la présente garantie, Glen Dimplex Americas Ltd. (appelée « Glen Dimplex Americas » aux présentes) garantit que ces produits sont exempts de tout vice de matériau et de fabrication pour une période de 5 ans à partir de la date d'achat desdits produits. Cette garantie limitée de 5 ans donne droit à l'acheteur à des services sous garantie sur place ou à domicile. Par conséquent, Glen Dimplex Americas sera responsable de tous les frais de main-d'œuvre et de transport liés à la réparation ou au remplacement du produit ou d'une pièce. Les exceptions sont décrites à la section 5. Certains territoires ne permettent pas la restriction de la durée d'une garantie implicite; il est donc possible que la restriction ci-dessus ne s'applique pas à l'acheteur.

Section 4 : Exclusions de la présente garantie limitée

La présente garantie limitée ne couvre pas les produits qui ont été réparés (sauf par Glen Dimplex Americas ou ses représentants de service autorisés) ou autrement modifiés. Elle ne couvre pas non plus les défectuosités résultant d'un mauvais usage, d'un usage abusif, d'un accident, de négligence, d'une mauvaise installation, d'une manipulation ou d'un entretien inadéquat, ou de l'utilisation avec une source de courant inadéquate.

Section 5 : Comment nous signaler une préoccupation relative à la garantie

Les défectuosités doivent être signalées au service à la clientèle de Dimplex en ligne à l'adresse dimplex.com/fr/contact_us ou par téléphone au 1 888 346-7539. Veuillez avoir à portée de la main une preuve d'achat, ainsi que les numéros de catalogue/modèle et de série du produit, pour que les représentants puissent vous aider. ** Il est nécessaire d'avoir une preuve d'achat du produit pour se prévaloir des services sous garantie limitée à domicile.

Si une pièce ou un produit couvert par cette garantie limitée présente effectivement un vice de matériau ou de fabrication

pendant la garantie limitée de 5 ans relative aux produits décrits à la section 1, vous disposez des droits suivants :

- Glen Dimplex Americas pourra, à sa seule discrétion, réparer ou remplacer sans frais la pièce ou le produit défectueux. Si Glen Dimplex Americas est incapable de réparer ou de remplacer la pièce ou le produit, ou si la réparation ou le remplacement n'est pas commercialement possible, ou ne peut être fait rapidement, Glen Dimplex Americas pourra, au lieu d'effectuer la réparation ou le remplacement, décider de rembourser le prix d'achat de la pièce ou du produit.
- Le service sous garantie limitée sera dispensé uniquement par des dépositaires ou agents de service de Glen Dimplex Americas autorisés à dispenser des services sous garantie limitée.
- Cette garantie limitée de 5 ans donne droit à l'acheteur à des services sous garantie sur place ou à domicile. Par conséquent, Glen Dimplex Americas assumera tous les frais de main-d'œuvre et de transport liés à la réparation ou au remplacement du produit ou de la pièce, sauf pour ce qui suit : (i) des frais pourraient être facturés pour les coûts engagés pour se rendre au site de l'acheteur où le produit se trouve, si ce site est à plus de 30 miles (48 km) du centre de service le plus près d'un dépositaire ou d'un agent de service de Glen Dimplex Americas; et (ii) l'acheteur est entièrement responsable de dégager l'accès à toutes les pièces du produit susceptibles d'être réparées ou entretenues.
- Glen Dimplex Americas n'est pas responsable des frais engagés pour l'installation ou le retrait des enceintes (manteaux) ou des garnitures ou de toute pièce de ces produits (ou de tout produit de remplacement ou de toute pièce de rechange), y compris les frais d'expédition et de transport aller-retour à l'établissement du détaillant ou de l'agent de service autorisé et tous les frais de main-d'œuvre; la présente garantie limitée ne les couvre pas non plus. Ces frais sont la responsabilité exclusive de l'acheteur.

Section 6 : Exclusions à la responsabilité de Glen Dimplex Americas, de ses détaillants et de ses agents de service

GLEN DIMPLEX AMERICAS, SES ADMINISTRATEURS, SES GESTIONNAIRES OU SES AGENTS NE POURRONT EN AUCUN CAS ÊTRE TENUS RESPONSABLES ENVERS L'ACHETEUR OU TOUTE AUTRE TIERCE PARTIE, EN VERTU D'UN CONTRAT, DU DROIT DE LA RESPONSABILITÉ DÉLICTEUELLE OU SUR TOUTE AUTRE BASE, DE COÛTS, DE PERTES OU DE DOMMAGES INDIRECTS, SPÉCIAUX, PUNITIFS, EXEMPLAIRES OU ACCESSOIRES DÉCOULANT DIRECTEMENT OU INDIRECTEMENT DE LA VENTE, DE L'ENTRETIEN, DE L'UTILISATION OU DE L'INCAPACITÉ D'UTILISATION DU PRODUIT, MÊME SI GLEN DIMPLEX AMERICAS, SES ADMINISTRATEURS, SES GESTIONNAIRES OU SES AGENTS ONT ÉTÉ INFORMÉS DE LA POSSIBILITÉ DE TELS COÛTS, PERTES OU DOMMAGES, OU SI LESDITS COÛTS, PERTES OU DOMMAGES SONT PRÉVISIBLES. GLEN DIMPLEX AMERICAS, SES GESTIONNAIRES, SES ADMINISTRATEURS OU SES AGENTS NE POURRONT EN AUCUN CAS ÊTRE TENUS RESPONSABLES DE COÛTS, DE PERTES OU DE DOMMAGES DIRECTS QUI DÉPASSENT LE PRIX D'ACHAT DU PRODUIT. CERTAINS TERRITOIRES NE PERMETTENT PAS L'APPLICATION D'EXCLUSIONS OU DE LIMITATIONS AUX DOMMAGES INDIRECTS OU ACCESSOIRES. IL SE POURRAIT DONC QUE LES EXCLUSIONS ET LIMITATIONS CI-DESSUS NE S'APPLIQUENT PAS À L'ACHETEUR.

Application des lois d'État et provinciales

Cette garantie limitée confère à l'acheteur des droits juridiques précis, et il se peut que l'acheteur ait d'autres droits qui varient d'un territoire à un autre. Les dispositions de la Convention des Nations Unies sur les contrats de vente de marchandises ne s'appliquent pas à cette garantie limitée ou à la vente de produits couverts par cette garantie limitée.

Vos commentaires sont précieux!

Votre contribution aide à créer des produits et des expériences encore meilleurs.

Transmettez de la chaleur et laissez un commentaire.

dimplex.com/transmettezdelachaleur

 [YouTube/Dimplex](https://www.youtube.com/Dimplex) 



QR label

Pour en savoir plus sur l'application
Flame Connect, visitez :
dimplex.com/fr/fireplace_connect_app



1 888 346-7539 | www.dimplex.com

Dans le cadre de notre politique d'amélioration continue de nos produits, nous nous réservons le droit de modifier les spécifications sans préavis.

© 2023 Glen Dimplex Americas

 UNE MARQUE DE GLEN DIMPLEX AMERICAS

Modelos
OLF46-AM
OLF66-AM
OLF86-AM

Guía de uso e instalación



¡Valoramos sus comentarios!

Su opinión ayuda a crear productos y experiencias aún mejores.

Comparta la calidez y deje una reseña.

dimplex.com/sharethewarmth

 [YouTube/Dimplex](https://www.youtube.com/Dimplex) 

INFORMACIÓN IMPORTANTE DE SEGURIDAD:

Lea este manual antes de intentar instalar o usar esta chimenea eléctrica. Siempre respete las advertencias e instrucciones de seguridad que se incluyen en este manual para evitar daños físicos o daños a su propiedad.

Para ver la lista completa de productos Dimplex, visite www.dimplex.com

Índice

Bienvenido	3
⚠ INSTRUCCIONES IMPORTANTES	4
Especificaciones técnicas	6
Clasificación eléctrica	6
Dimensiones del producto	6
Contenido del paquete	7
Instalación	9
Colocación	9
Preparación de la cámara de combustión	10
Entradas de aire fresco	10
Marco	11
Instrucciones de instalación	12
Conexión al suministro de agua	13
Instalación eléctrica	14
Desconexión del hardware del calentador	16
Deflectores de flamas	17
Disposición de los medios	17
Instalación del cristal delantero	18
Funcionamiento	19
Funcionamiento general	19
Reajuste del interruptor de corte de la temperatura	21
Cómo restaurar los ajustes de fábrica	22
Cebado del tanque de agua	22
Mantenimiento	23
Reemplazo de las baterías del mando a distancia	23
Limpieza	23
Para reemplazar el transductor	23
Servicio técnico	23
Solución de problemas	24
Diagramas de cableado	26
Warranty	28

Bienvenido

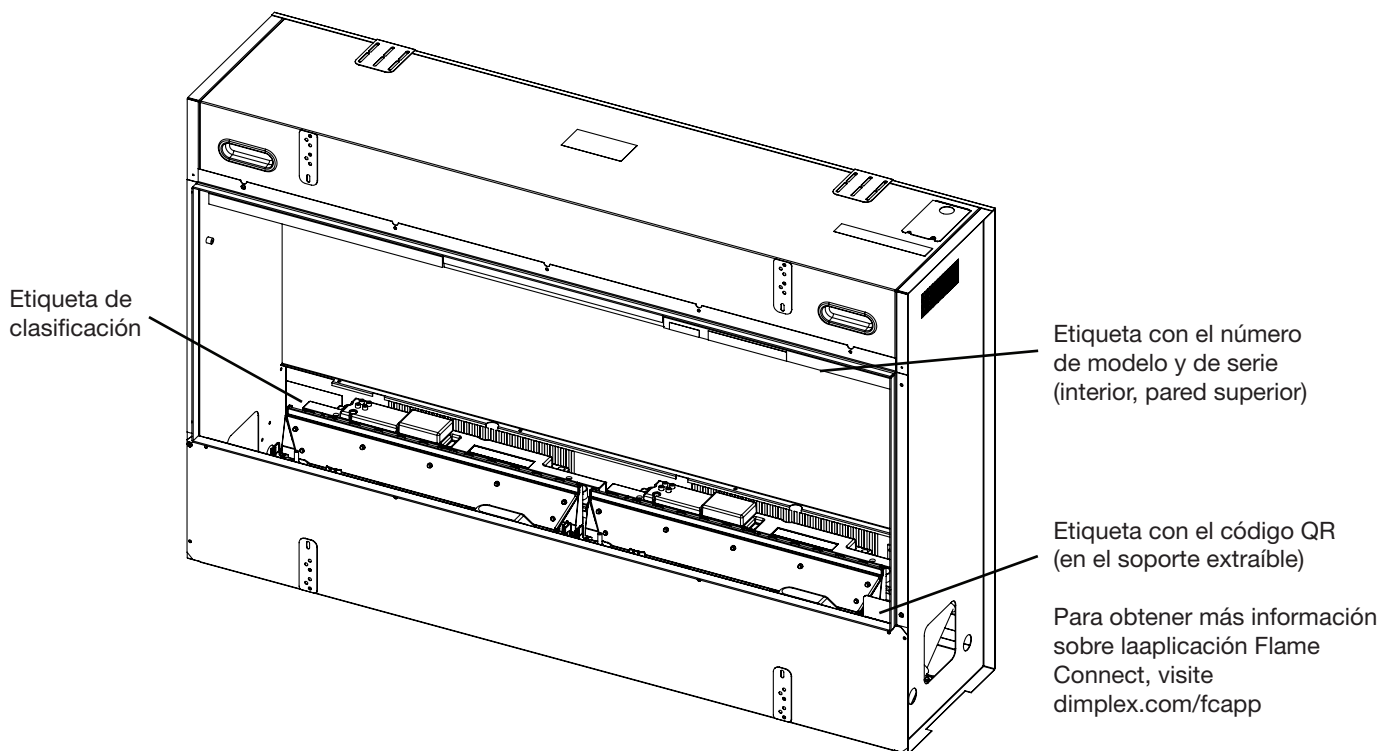
Gracias y felicitaciones por decidirse a adquirir una chimenea Dimplex.

Lea atentamente y guarde estas instrucciones.

⚠ ADVERTENCIA: Lea atentamente todas las instrucciones y advertencias antes de comenzar la instalación. El incumplimiento de estas instrucciones puede causar una descarga eléctrica o un peligro de incendio, y anulará la garantía.

Guarde los números de modelo y de serie para consultarlos en el futuro. Los números de modelo y de serie se encuentran en la etiqueta en la esquina superior derecha dentro de la chimenea.

Modelo _____ MOD _____
Número de serie _____



NO ES NECESARIO REGRESAR LA UNIDAD A LA TIENDA

Si tiene alguna pregunta sobre el funcionamiento de este producto o si requiere servicio, antes de devolver el producto al lugar donde lo compró,

Comuníquese con nosotros en:

 www.dimplex.com/support

Para solucionar problemas y recibir asistencia técnica

☎ llame sin costo al 1-888-346-7539

Tenga disponible su número de modelo y número de serie del producto.

⚠ INSTRUCCIONES IMPORTANTES

Cuando se usen aparatos eléctricos, siempre se deben seguir precauciones básicas para reducir el riesgo de incendio, descarga eléctrica y lesiones a personas. Las precauciones incluyen:

- ① Lea todas las instrucciones antes de usar esta chimenea eléctrica.
- ② Esta chimenea se calienta cuando está en funcionamiento. Para evitar quemaduras, no toque las superficies calientes con la piel desnuda. El reborde alrededor del tomacorriente del calentador se calienta durante el funcionamiento de la unidad.
- ⚠ **PELIGRO:** Bajo ciertas condiciones anormales de operación, el calentador alcanza temperaturas altas. No cubra ni total ni parcialmente el frente de la chimenea.
- ③ Tenga especial cuidado al usar la chimenea cerca de niños o de personas discapacitadas, o si estos la operan, y siempre que deje la chimenea encendida y desatendida.
- ④ Siempre apague la chimenea cuando no la esté usando.
- ⑤ No haga funcionar la chimenea si ha funcionado mal, o si se ha caído o dañado de alguna manera. Desconecte el suministro eléctrico en el panel central y solicite los servicios de un electricista acreditado para verificar la chimenea antes de volver a utilizarla.
- ⑥ No encienda ninguna unidad con un cable o enchufe dañado, si el calentador ha funcionado mal, o si éste se ha caído o dañado de alguna manera, llame para recibir asistencia técnica de Glen Dimplex Americas al 1-888-346-7539.
- ⑦ No utilice esta chimenea en exteriores.
- ⑧ Nunca coloque la chimenea en aquellos sitios donde pueda caer en una bañera o en otro recipiente con agua.
- ⑨ Para desconectar el calentador, apague la unidad con los controles y apague el suministro eléctrico al circuito del calentador en el panel central de desconexión.

- ⑩ No introduzca ni deje que entren cuerpos extraños en los orificios de ventilación o escape, ya que ello puede provocar una descarga eléctrica o un incendio, o bien ocasionar daños a la chimenea.
 - ⑪ Para evitar cualquier posible incendio, no bloquee la entrada ni la salida de aire de ninguna manera.
 - ⑫ Todos los calentadores eléctricos contienen piezas calientes que provocan chispas o arcos eléctricos. No lo use en áreas donde almacene o utilice gasolina, pintura o líquidos inflamables.
 - ⑬ No modifique esta chimenea. Utilícela sólo como se describe en este manual. Cualquier otro uso que no haya sido recomendado por el fabricante puede provocar un incendio, una descarga eléctrica o lesiones a las personas.
 - ⑭ En caso de requerirse nuevos circuitos o tomacorrientes, acuda siempre a un electricista calificado.
 - ⑮ Siempre use tomacorrientes polarizados y con fusible, correctamente conectados a tierra.
 - ⑯ Desconecte todo el suministro eléctrico que le llega a la chimenea en el panel central de servicio antes de realizar cualquier limpieza o mantenimiento o antes de cambiar la unidad de lugar.
 - ⑰ Al transportar o almacenar la chimenea, manténgala en un lugar seco y libre de vibraciones excesivas, y almacénela de manera tal que se eviten daños.
 - ⑱ Es necesario limpiar y dar mantenimiento a la unidad regularmente para garantizar que funcione de manera segura y correcta.
- ! **NOTA:** Los cambios o las modificaciones que no hayan sido expresamente aprobados por el responsable del cumplimiento de la unidad, podrían anular la autorización que el usuario tiene para utilizar dicha unidad.

GUARDE ESTAS INSTRUCCIONES



PRECAUCIÓN
RIESGO DE DESCARGA ELÉCTRICA
NO ABRIR
NO CONTIENE PIEZAS QUE PUEDAN
SER REPARADAS POR EL USUARIO



INSTRUCCIONES IMPORTANTES

Cumplimiento con la FCC

⚠ PRECAUCIÓN: Esta unidad ha sido probada y se ha determinado que cumple con los límites para los dispositivos digitales de Clase B, de conformidad con la parte 15 de la reglamentación de la FCC. Estos límites están diseñados para brindar protección razonable contra interferencia perjudicial en una instalación residencial. Esta unidad genera, utiliza y puede irradiar energía de radiofrecuencia y, si no está instalada y no se usa de acuerdo con las instrucciones, puede provocar interferencia perjudicial en la recepción de radio o televisión, lo que puede determinarse apagando el equipo y encendiéndolo nuevamente. Se alienta que el usuario intente corregir la interferencia tomando una o más de las medidas siguientes:

Reoriente o reubique la antena receptora.

Aumente la separación entre la unidad y el receptor.

Conecte la unidad a un tomacorriente de un circuito que no sea el circuito al cual está conectado el receptor.

Consulte con el distribuidor o con un técnico de radio/televisión experimentado para solicitar ayuda.

Esta unidad cumple con la sección 15 del Reglamento de la FCC. El funcionamiento está sujeto a las dos condiciones siguientes: (1) Esta unidad no puede provocar interferencia perjudicial, y (2) esta unidad debe aceptar cualquier interferencia recibida, incluida la interferencia que pueda provocar un funcionamiento no deseado.

⚠ PRECAUCIONES DE LA FCC: Cualquier cambio o modificación no aprobados por la parte responsable del cumplimiento podrían anular la autorización del usuario de utilizar este equipo.

⚠ ADVERTENCIA: Este producto puede exponer al usuario a sustancias químicas, tales como el níquel, reconocidas por el estado de California como causantes de cáncer. Para obtener más información, visite www.P65Warnings.ca.gov

Convenciones utilizadas en este manual:

! NOTA: Procedimientos y técnicas que se consideran suficientemente importantes para enfatizarlos.

⚠ PRECAUCIÓN: Procedimientos y técnicas que deben respetarse minuciosamente para no dañar el equipo.

⚠ ADVERTENCIA: Procedimientos y técnicas que, si no se respetan escrupulosamente, expondrán al usuario a riesgo de incendio, lesiones graves o muerte.

Especificaciones técnicas

Clasificación eléctrica

Voltaje: 120 V (3 cables) o 240 V (4 cables)

Suministro eléctrico:

Modelo	120 V	240 V	Sin calefacción (120 V)
OLF46-AM	1220 W	1920 W	520 W
OLF66-AM	1480 W	2180 W	760 W
OLF86-AM	1020 W (consulte la nota)	2400 W	1020 W

! **NOTA:** Cuando el modelo OLF86-AM está conectado a 120 V, no habrá calor, pero las funciones de calor estarán activas en los controles con solo ventiladores en funcionamiento.

Certificación de UL

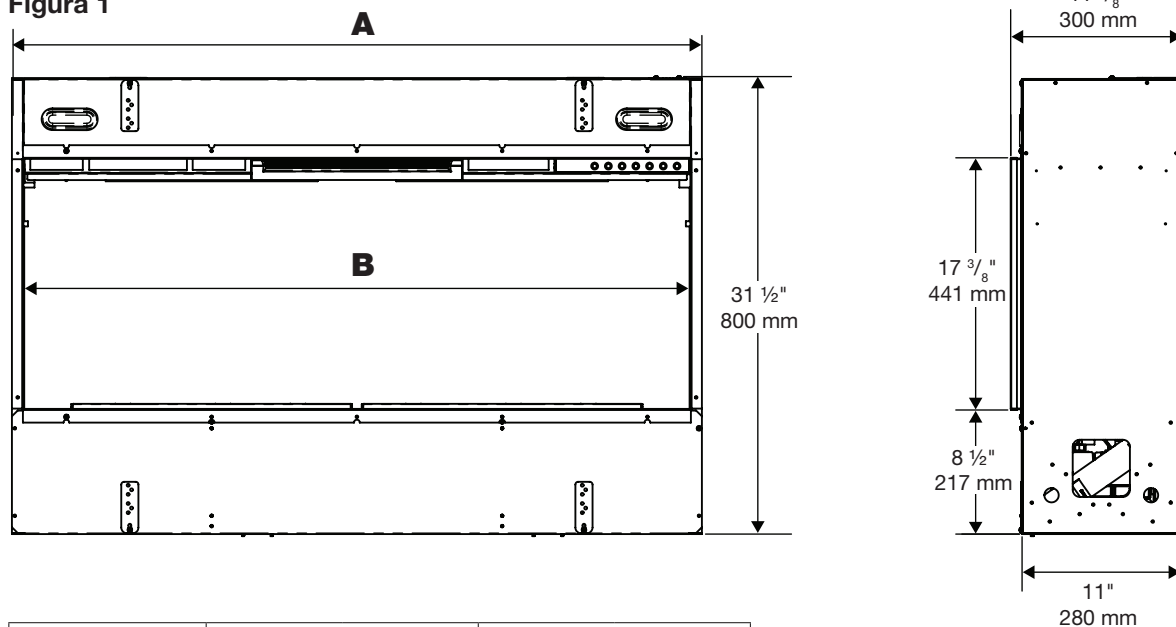
Número de expediente: E71416



Referencia del modelo	
OLF46-AM	6911540100
OLF66-AM	6911540200
OLF86-AM	6911540300

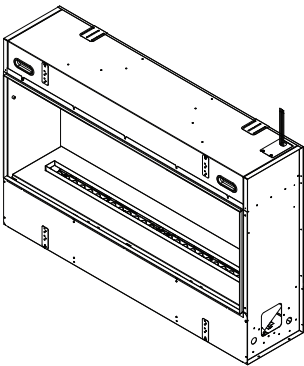
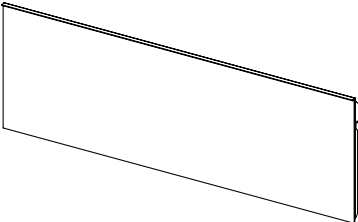




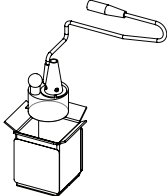
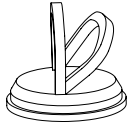
Dimensiones del producto

Figura 1

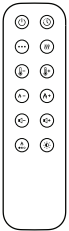
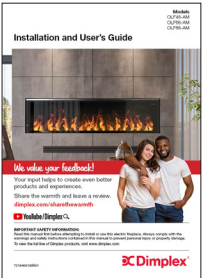
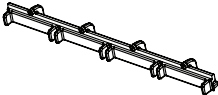

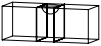



Modelo	A		B	
OLF46-AM	47 1/2"	1206 mm	46 1/8"	1170 mm
OLF66-AM	67 1/2"	1714 mm	66 1/8"	1678 mm
OLF86-AM	87 1/2"	2222 mm	86 1/8"	2186 mm

Contenido del paquete

Imagen	Descripción	Cantidad		
		OLF46-AM	OLF66-AM	OLF86-AM
	Cámara de combustión	1	1	1
	Cristal delantero	1	1	1
	Bolsa de cristales de acrílico pequeños	2	3	4
	Bolsa de cristales de acrílico grandes	1	1	2
	Bolsa de cristales de acrílico extragrandes	1	1	1
	Madera de deriva	8	12	15
	Transductor de repuesto <i>Manténgalo en un lugar seguro para usarlo posteriormente.</i>	2	3	4
	Ventosa <i>No deseche la ventosa después de la instalación. Guárdela en un lugar seguro, ya que será útil para el mantenimiento y el servicio de la unidad.</i>	2	2	2

Contenido del paquete

	<p>Mando a distancia <i>Incluye dos pilas de 3 V</i></p>	1	1	1
	<p>Guía de uso e instalación</p>	1	1	1
	<p>Apagallamas rompibles</p>	4	6	8
	<p>Deflectores de llama ranurados</p>	6	9	12
	<p>Nivel de burbuja</p>	1	1	1
	<p>Tornillos para madera de 1 ½"</p>	4	4	4

*El contenido del paquete está sujeto a cambios

Colocación

! **NOTA:** Se recomienda que la parte inferior de la unidad quede montada a una altura de entre 5" (13 cm) y 50" (127 cm) del piso para tener el ángulo óptimo de visualización de la flama. (Figura 2)

Instalación en un baño

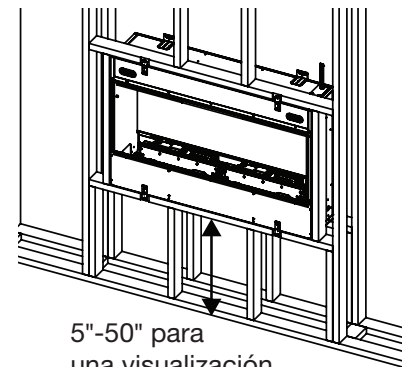
Si instala esta unidad en el baño, deberá contar con un receptáculo o circuito con interruptor de falla a tierra (GFCI). Si usa un receptáculo, éste debe estar a la mano.

Este aparato eléctrico NO es impermeable. Para evitar descargas eléctricas, la unidad debe instalarse de manera que no le entre agua o debe instalarse lejos de duchas, bañeras, etc.. Nunca coloque la chimenea en sitios donde pueda caer en una bañera o en otro recipiente con agua.

Recomendaciones de instalación para objetos que colgantes

Si hay objetos colgantes sensibles a la temperatura, como un televisor, una repisa u obras de arte, siga siempre las recomendaciones proporcionadas por el fabricante para la instalación sobre un calentador.

Figura 2



5"-50" para
una visualización
óptima

Entradas de aire fresco

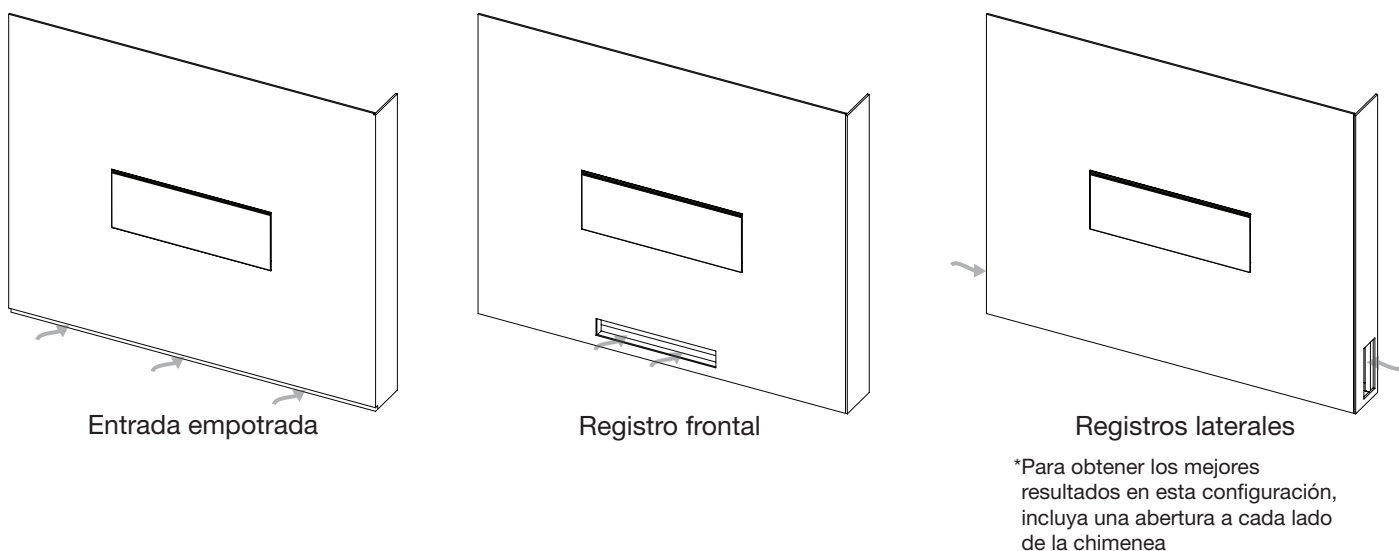
⚠ PRECAUCIÓN: No incluir una entrada de aire fresco provocará un rendimiento deficiente de la flama y daños a la chimenea.

Es necesario que haya una entrada de aire fresco. La entrada de aire debe permitir que el aire alcance la parte inferior de la unidad. Esto deberá tenerse en cuenta al instalar la unidad en un marco y en un panel de yeso. Consulte la siguiente tabla para ver los requerimientos de entrada de aire para cada modelo. Consulte la **Figura 3** para ver ejemplos de cómo incorporar entradas de aire fresco en la instalación.

Si la entrada de aire se oculta mediante una rejilla, el área cubierta debe compensarse con una abertura mayor.

Modelo	Se requiere un área de entrada de aire	
OLF46-AM	80 in ²	516 cm ²
OLF66-AM	120 in ²	774 cm ²
OLF86-AM	160 in ²	1032 cm ²

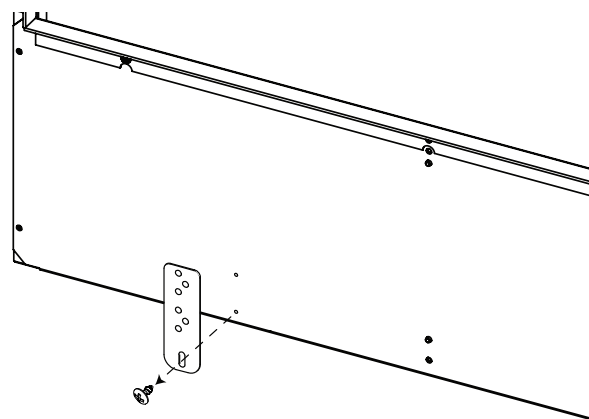
Figura 3



Preparación de la cámara de combustión

1. La unidad se proporciona con soportes de montaje adjuntos (**Figura 4**). Retire los soportes de montaje antes de la instalación. Deberá volver a colocarlos durante la instalación una vez que la cámara de combustión esté colocada en el marco.
2. Si utiliza el kit de accesorios de enchufe (OLFPLUG, se vende por separado), cáblelo siguiendo las instrucciones del kit de enchufe en la sección *Instalación eléctrica* (página 14).
3. Solo para desactivar permanentemente el calor: siga las instrucciones para desconectar la función de calor en la sección *Desconexión del hardware del calentador* (página 16).

Figura 4



Marco

1. Prepare una pared con una abertura enmarcada, siguiendo las dimensiones que aparecen en la siguiente tabla. Se requieren aberturas debajo de la unidad para permitir que el flujo de aire llegue a la parte inferior de la unidad. (Figura 6)

Modelo	Dimensiones del marco			Abertura en el panel de yeso	
	Ancho (mínimo) A	Altura B	Profundidad (mínima) C	Ancho D*	Altura E*
OLF46-AM	48" 1219 mm	31 3/4" 806 mm	12" 305 mm	46 3/16" 1174 mm	17 1/2" 445 mm
OLF66-AM	68" 1727 mm			66 3/16" 1682 mm	
OLF86-AM	88" 2235 mm			86 3/16" 2190 mm	

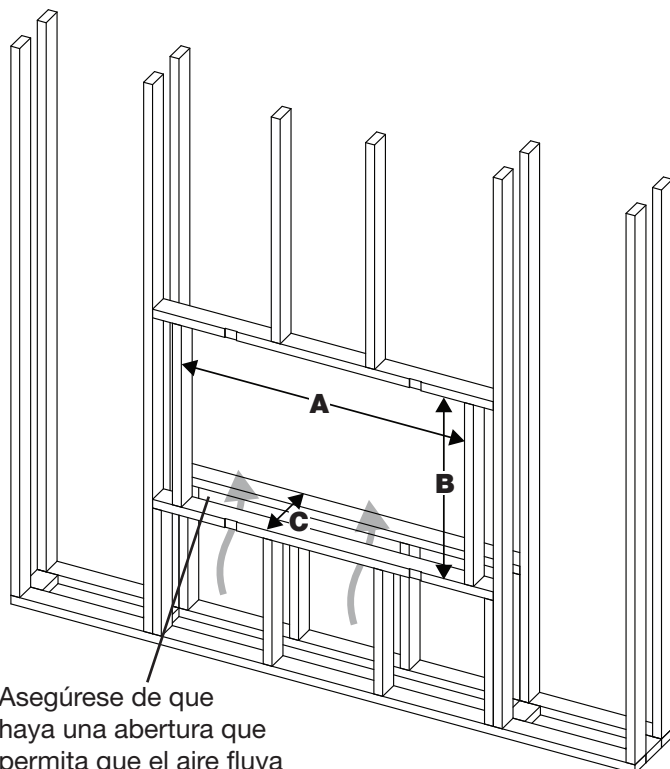
* Deja un espacio libre de 2 mm en todo el perímetro

⚠ PRECAUCIÓN: Esta chimenea NO soporta carga. Asegúrese de que la abertura de la chimenea esté enmarcada de tal manera que el peso de los materiales de construcción no cree presión en la parte superior de la chimenea.

! NOTA: El cableado de campo está ubicado en la esquina superior derecha trasera de la cámara de combustión. El conexión al suministro de agua está ubicada en la esquina inferior izquierda trasera de la cámara de combustión. Planifique el enmarcado de manera que permita tender el cable de alimentación eléctrica e instalar la línea de agua fría a esta ubicación.

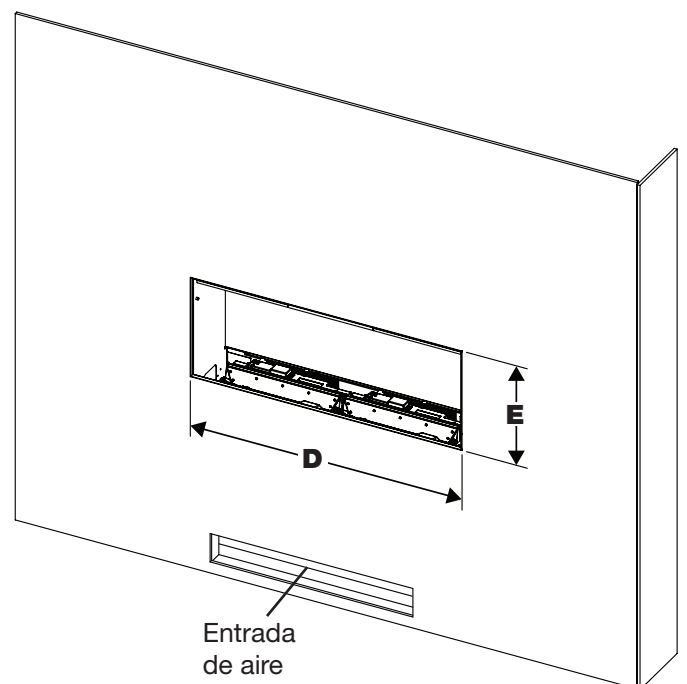
! NOTA: Asegúrese de que la unidad esté nivelada y enrasada con el armazón.

Figura 5



Asegúrese de que haya una abertura que permita que el aire fluya y llegue a la parte inferior de la unidad

Figura 6



Instrucciones de instalación

- ! NOTA:** Se recomienda que dos personas realicen la instalación.
1. Siga las instrucciones de la sección *Preparación de la cámara de combustión para su instalación* (página 10) antes de comenzar.
 2. Prepare una pared con una abertura enmarcada, siguiendo las dimensiones que aparecen en la sección *Marco* (página 11).
- ! PRECAUCIÓN:** Asegúrese de que haya una entrada de aire que permita que el aire fluya y llegue a la parte inferior de la unidad.
3. Coloque la cámara de combustión en la abertura enmarcada. Asegúrese de que la unidad esté nivelada. Se incluye un nivel de burbuja en el kit de accesorios proporcionado.
 4. Asegure la cámara de combustión al marco usando los soportes de montaje que retiró anteriormente. La unidad debe asegurarse al marco con los soportes de montaje.
- ! NOTA:** Para evitar que la superficie acabada se abulte, haga una muesca en el marco para permitir que los soportes de montaje estén al ras del marco. (Figura 7)
5. Conecte la unidad al suministro de agua siguiendo las instrucciones de la sección *Conexión al suministro de agua* (página 13).
 6. Ubique la placa de conexión en la esquina superior derecha trasera de la unidad. Retire la placa de conexión quitando los 2 tornillos que la aseguran. (Figura 8)
 7. Instale un conector de cable (no incluido) adecuado para instalarlo en un orificio $\frac{7}{8}$ " (22 mm), en la placa y tienda el cable eléctrico utilizando el conector de cable.
 8. Complete el cableado de acuerdo con las instrucciones de la sección de *Instalación eléctrica* (páginas 14 y 15). Vuelva a instalar la placa de conexión después de completar el cableado.
 9. Termine la pared circundante hasta el reborde si desea una instalación permanente. Se puede usar un reborde extraíble para cubrir la abertura del marco para permitir que la chimenea se retire sin dañar la pared acabada.
- ! PRECAUCIÓN:** Asegúrese de que haya entradas de aire en la instalación final (consulte *Entradas de aire fresco*, página 10).
- ! NOTA:** Se recomienda terminar toda la instalación de paneles de yeso y los acabados una vez que la unidad esté totalmente instalada, que se haya inspeccionado y que se haya comprobado que funciona bien.

10. Termine la instalación usando los materiales de acabado de su elección.

11. Coloque los medios como lo desee e instale el cristal delantero.

Figura 7

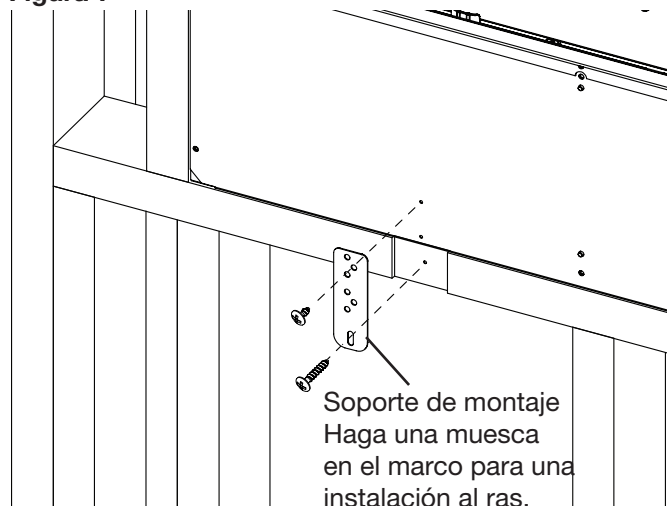
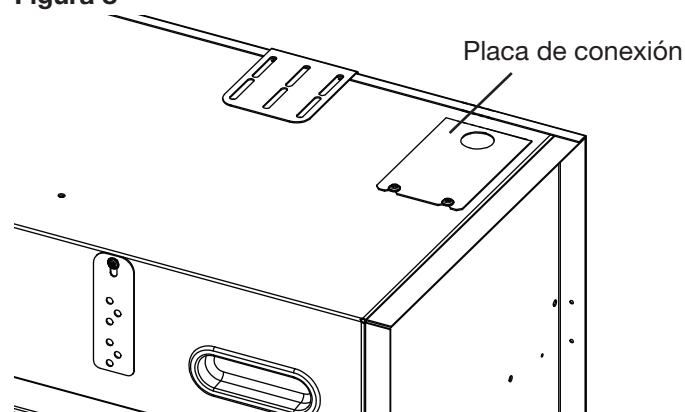


Figura 8



Conexión al suministro de agua

⚠ PRECAUCIÓN: Asegúrese de que todas las conexiones de la plomería cumplan con los requisitos del código local de plomería. Asegúrese de que la conexión de la plomería esté ubicada de tal manera que se pueda apagar fácilmente durante el mantenimiento programado.

Calidad del agua

Se puede usar agua normal del grifo en el Opti-myst®. En áreas con agua dura, se recomienda un ablandador de agua y es posible que se requiera una limpieza y un mantenimiento más frecuentes. No se recomienda el agua sin filtrar que provenga de un pozo u otro suministro no supervisado. El producto se proporciona con un filtro de malla en línea para ayudar a eliminar los contaminantes y prolongar la vida útil del producto.

Instrucciones de plomería

Las unidades están diseñadas para conectarse a una fuente de agua con una tubería de diámetro exterior estándar de ¼" (6.4 mm). Con su distribuidor DIMPLEX puede encontrar un kit de accesorios de plomería CDFIPLUMB-KIT, diseñado para usarse con tuberías de cobre.

1. Prepare una línea de agua fría cerca del lugar donde desea instalar la chimenea. Asegúrese de que la conexión de la plomería esté ubicada de tal manera que se pueda apagar fácilmente durante el mantenimiento programado.

! NOTA: Una vez que se completen las nuevas conexiones de plomería, asegúrese de que las líneas estén al ras para evitar que entren desechos en la unidad.

2. Levante la bandeja de medios para sacarla de la unidad y colóquela al lado.

3. Conecte la línea de agua, reducida a una tubería de ¼", a la válvula principal ubicada en la parte inferior del lado izquierdo de la unidad. (Figura 6)

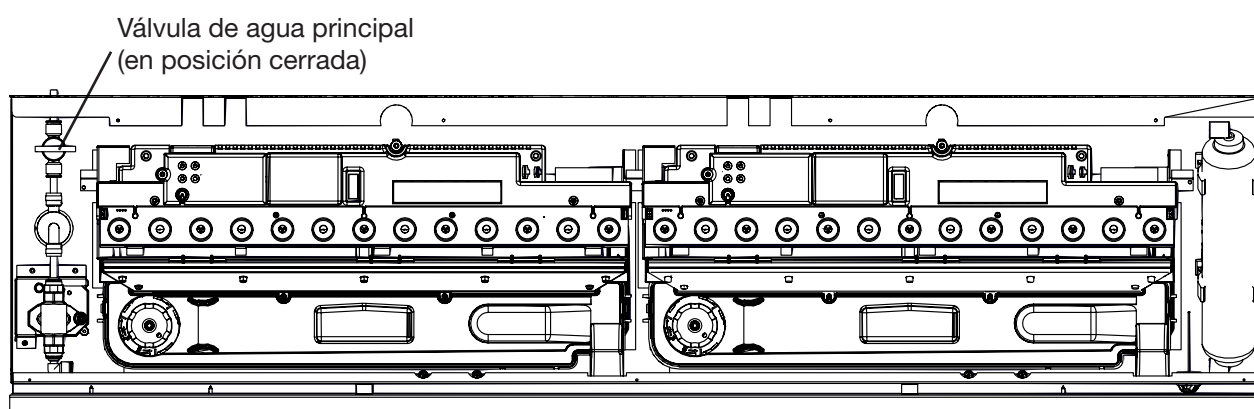
⚠ PRECAUCIÓN: Verifique que el extremo del tubo esté cortado en perpendicular para evitar filtraciones.

4. Conecte el tubo de suministro de agua a la válvula principal de agua quitando el anillo de fijación e insertando el tubo de modo que quede completamente insertado (aproximadamente ½" [12 mm]). Vuelva a instalar el anillo de fijación.

5. Complete los pasos de la instalación eléctrica antes de abrir la válvula de agua principal.

6. Se requiere cebado (llenado previo con agua). Consulte Cebado del tanque de agua en la página 22.

Figura 9



Depósitos de agua recargables

! NOTA: No se recomienda para aplicaciones de uso frecuente.

Si no es posible conectar la unidad directamente a un suministro de agua, el depósito se puede llenar manualmente con un recipiente recargable Opti-Myst (9601350100RP) (no incluido) que se puede comprar en www.dimplex.com/replacement_parts. Se necesitará un contenedor para cada módulo de flama en la chimenea. Una recarga proporcionará hasta 6 horas de funcionamiento de la flama. El cristal delantero y la bandeja de medios deberán retirarse cada vez que se necesiten recargar los depósitos.

Instalación eléctrica

⚠ ADVERTENCIA:

La instalación de la chimenea eléctrica debe realizarse de conformidad con los códigos de electricidad locales o nacionales, y con los requisitos de los servicios públicos correspondientes.

Utilice el cable adecuado para cumplir con los códigos locales y nacionales de consumo de energía clasificado.

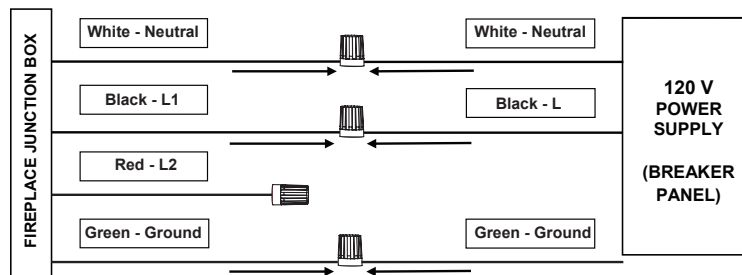
⚠ **PRECAUCIÓN:** Se recomienda un circuito de 15 amperios exclusivo y con un fusible adecuado, clasificado para el voltaje apropiado (120 V, 240 V). Si después de instalar el calentador, el disyuntor salta o el fusible se funde con cierta frecuencia durante el funcionamiento del calentador, podría necesitar un circuito exclusivo. Los aparatos adicionales que se conecten al mismo circuito podrían sobrepasar la clasificación de corriente del disyuntor.

Instalación de la conexión alámbrica de 120 V

! **NOTA:** Para el modelo OLF86-AM, la función de calefacción no se puede utilizar cuando se suministran 120 V.

1. Conecte el cable negro L1 de la unidad al cable de energía del suministro eléctrico con un conector de cables.
2. Conecte el cable blanco N de la unidad al cable neutro del suministro eléctrico con un conector de cables.
3. Conecte el cable verde G de la unidad al cable de tierra de la fuente de alimentación con un conector de cables o conecte el cable de tierra a la cubierta con el tornillo de conexión a tierra provisto, colocando el cable entre el tornillo y la arandela de seguridad y apriételo.
4. Asegúrese de que todas las conexiones estén apretadas.

Figura 10



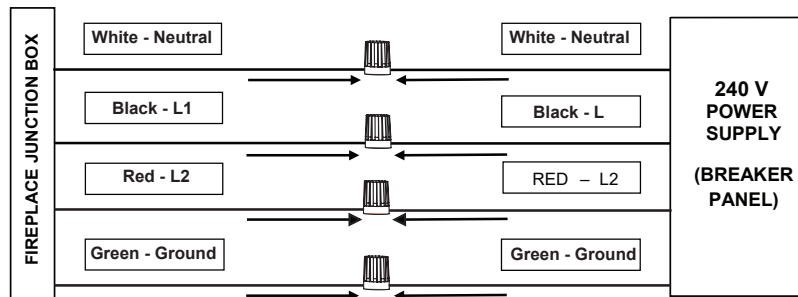
Instalación

Instalación de la conexión alámbrica de 240 V

Necesitará un suministro de 240 V de 4 cables (L1, L2, neutro y tierra).

1. Conecte el cable negro L1 de la unidad al cable L1 del suministro eléctrico con un conector de cables.
2. Conecte el cable rojo L2 de la unidad al cable L2 del suministro eléctrico con un conector de cables.
3. Conecte el cable blanco N de la unidad al cable neutro del suministro eléctrico.
4. Conecte el cable verde G de la unidad al cable de tierra del suministro eléctrico con un conector de cables o conecte el cable de tierra.
5. Asegúrese de que todas las conexiones estén apretadas.

Figure 11



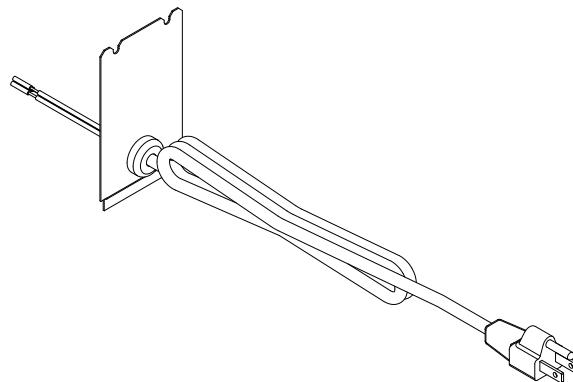
Kit de enchufes opcional (OLFPLUG, se vende por separado)

⚠ ADVERTENCIA: La opción del cable de alimentación solo es adecuada para instalaciones de 120V.

1. Retire los 3 tornillos que sostienen la placa de conexión.
2. Conecte el cable negro L1 de la unidad al cable negro del kit de enchufe.
3. Conecte el cable blanco N de la chimenea al cable blanco del kit de enchufe.
4. Conecte el cable verde G de la chimenea al cable verde del kit de enchufe.
5. Asegúrese de que todas las conexiones estén apretadas.
6. Asegure la placa de cubierta preinstalada del cable de alimentación con los tornillos que quitó al retirar la placa de conexión. La placa de conexión que retiró anteriormente se puede desechar.

⚠ ADVERTENCIA: Este calentador no está diseñado para usarse con una extensión. Enchufe el cable directamente en un receptáculo de pared apropiado.

Figura 12



Desconexión del hardware del calentador

El calentador de la chimenea se puede desactivar de manera permanente, si retira el puente ubicado en el panel de control principal.

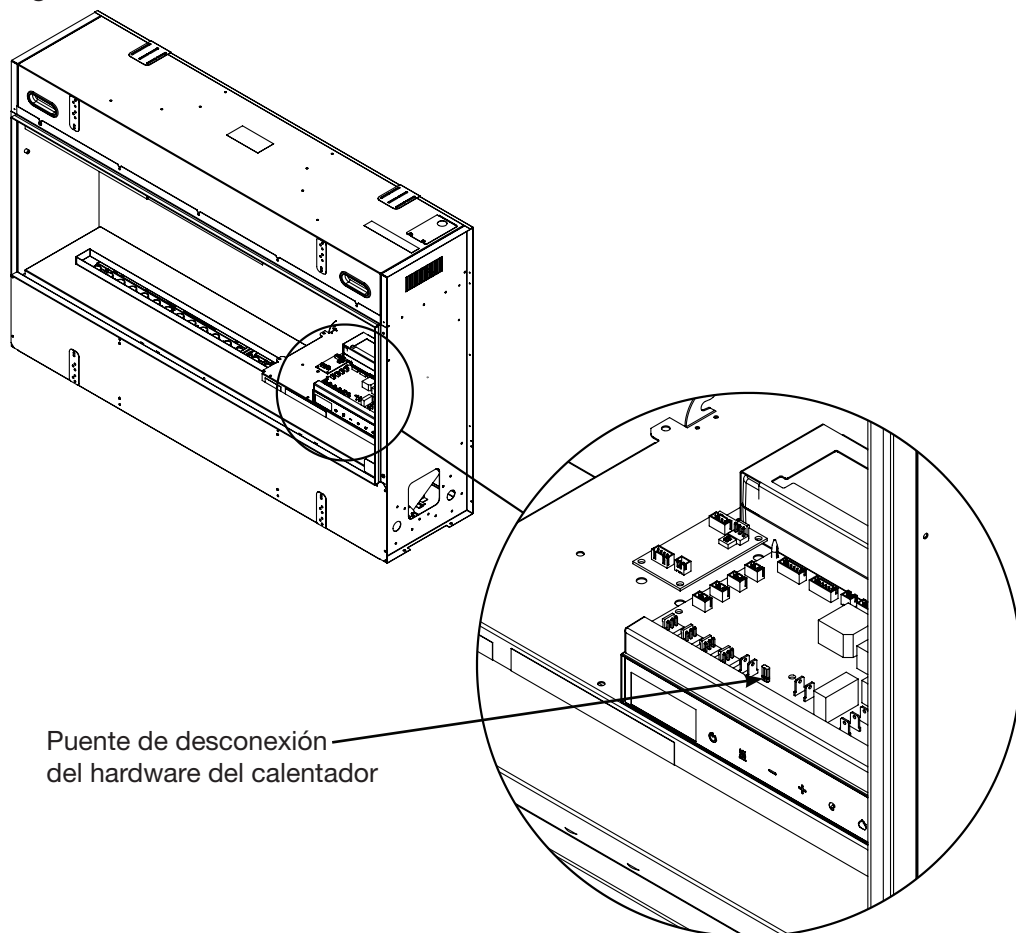
La desconexión del hardware del calentador desactivará permanentemente la función del calentador y del ventilador. Siga estas instrucciones ÚNICAMENTE cuando se requiera una instalación sin calefacción. El calentador se puede desactivar temporalmente con los controles táctiles ocultos. Consulte “Desactivar calefacción” en la sección de *Operación* (página 20) para ver las instrucciones.

El ventilador de recirculación y el elemento en el módulo de las flamas no se desactivarán.

Para desconectar el calentador y el ventilador permanentemente:

1. Retire los 4 tornillos que aseguran las luces LED superiores del lado derecho y desconecte el cable.
2. Retire los 5 tornillos que aseguran el panel superior del lado derecho. Baje con cuidado el panel superior, que se sujeta mediante bisagras a la carcasa.
3. Localice el tablero principal de control. La ubicación del puente de desconexión del hardware del calentador está etiquetada como “J2”. (Figura 13)
4. Retire el puente de desconexión del hardware del calentador.
5. Asegure el panel superior.
6. Vuelva a conectar el cable de las luces LED superiores y asegúrelas en su lugar.

Figura 13



Deflectores de flamas

La unidad viene con deflectores rompibles y ranurados para crear una llama personalizada. La unidad puede funcionar con o sin los deflectores. Los deflectores crearán espacios para personalizar un aspecto de llama único.

Separe los deflectores rompibles doblando la tira hasta que se rompa en 4 deflectores individuales. (Figura 15) Los deflectores ranurados no son rompibles.

Para insertar los deflectores, utilice un destornillador para abrir con cuidado la ranura de salida de la llama en la cubierta superior. (Figura 14) Instale el deflector poniendo el lado con las dos lengüetas hacia abajo, e introduciéndolo de forma que el reborde de la cubierta superior pase por encima del deflector. (Figura 16)

Coloque los deflectores a través de la ranura de salida de la llama según se desee para crear la apariencia de llama deseada.

Se necesitan tres deflectores ranurados para cubrir cada ranura de salida de llama.

Figura 14

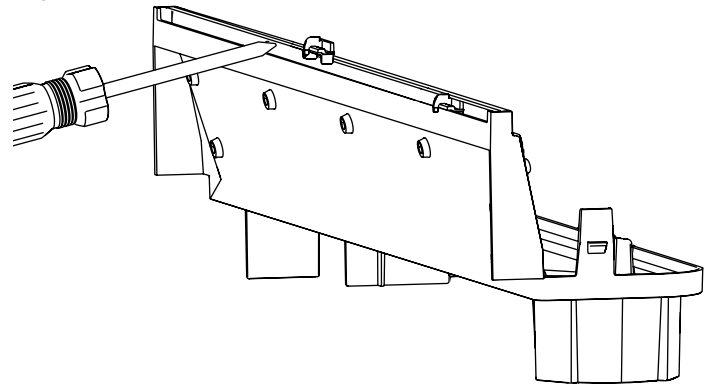
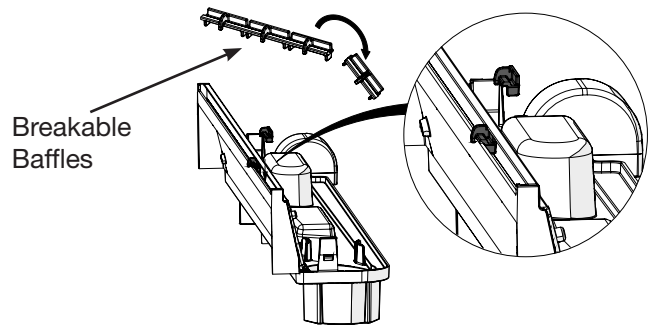


Figure 15



Disposición de los medios

1. Instale la bandeja de medios con el lado en ángulo de la ranura hacia la parte posterior de la chimenea. (Figura 17)
2. Disperse uniformemente los cristales pequeños para cubrir por completo el lecho de medios.
3. Coloque los pedazos de madera de deriva sobre los cristales.
4. Coloque los cristales grandes y extragrandes como lo desee sobre los cristales más pequeños y al lado de la madera de deriva.

! NOTA: No se recomienda colocar las piezas de madera de deriva sobre la ranura de salida de las flamas. Si se desea esta configuración, use los deflectores provistos para bloquear la niebla debajo de los troncos y así evitar la condensación.

Es posible utilizar medios personalizados de adorno para decorar su chimenea. Los medios personalizados deben caber fácilmente sin rayar el cristal o arquear el lecho de medios, y no deben estar compuestos de arena o líquido, lo que podría interferir con la seguridad de la chimenea.

Figure 16

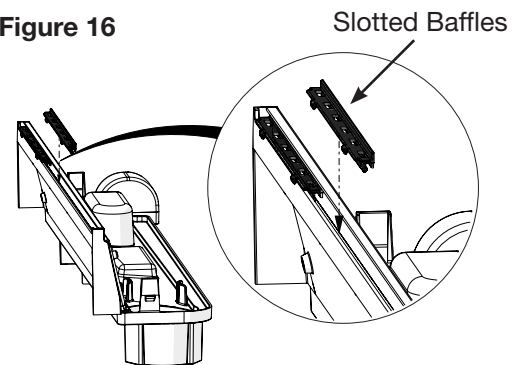
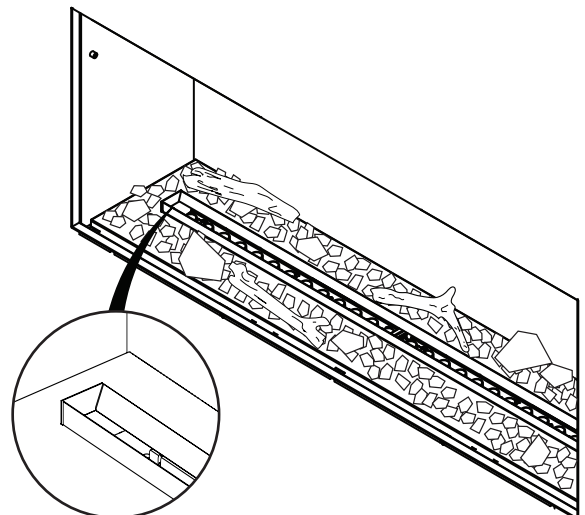
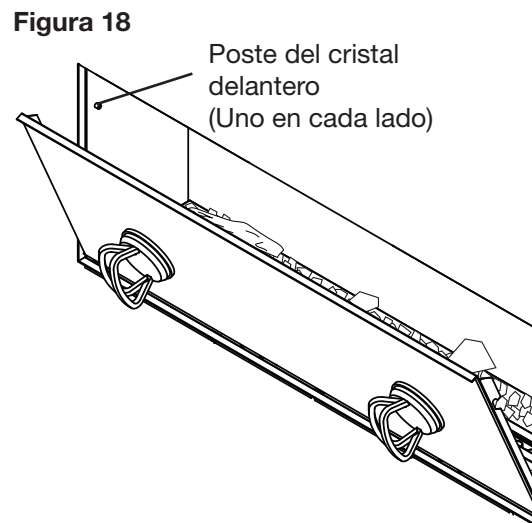


Figura 17



Instalación del cristal delantero

- ! **NOTA:** Se requieren dos personas para la instalación del cristal delantero.
- 1. Asegúrese de que no haya suciedad ni huellas en la cara interior del cristal delantero antes de empezar.
- 2. Coloque las ventosas incluidas en la cara exterior del cristal delantero. Asegúrese de que las ventosas estén bien colocadas.
- 3. Con la ayuda de las ventosas, levante el cristal y colóquelo directamente frente al lecho de medios con un pequeño ángulo.
- 4. Levante el cristal delantero un poco para engancharlo en los postes a cada lado de la chimenea. (**Figura 18**)
- ! **NOTA:** Cuando se instala correctamente, el cristal delantero no debe obstruir los controles táctiles ocultos.
- 5. Retire las ventosas y limpie las huellas o la suciedad del cristal con un limpiavidrios no abrasivo.
- ! **NOTA:** ¡No deseche las ventosas! Guárdelas en un lugar seguro, ya que pueden ser necesarias para el mantenimiento y servicio de esta chimenea.



Funcionamiento general

⚠ ADVERTENCIA: Debe instalar la cámara de combustión eléctrica de manera adecuada antes de utilizarla.

Esta cámara de combustión funciona con la tecnología ComfortSaver™, que ajusta automáticamente la velocidad del ventilador y la potencia del calentador para adaptarse de manera segura y precisa a los requerimientos de la habitación según la configuración del termostato.

! NOTA: El elemento conserva el calor después de haberlo apagado. Cuando se apaga el calor, el hay un periodo de enfriamiento de 30 segundos antes de que el ventilador se apague completamente.

! NOTA: Después de una interrupción del suministro eléctrico, la chimenea estará en modo de espera y conservará la configuración utilizada anteriormente.

Interruptor de encendido

El interruptor de encendido principal (encendido/apagado) está ubicado detrás del cristal delantero en la esquina superior derecha dentro de la chimenea.

Controles táctiles ocultos

Los controles táctiles ocultos se encuentran en la parte superior derecha de la chimenea. (Figura 19)
Para activar los controles, toque el área junto a la pantalla. Después de 20 segundos de inactividad, los controles vuelven al estado oculto.

! NOTA: Cuando está en modo de espera, el  permanece iluminado.

Funcionamiento a distancia

La chimenea cuenta con un mando a distancia Bluetooth multifuncional. (Figure 20)

Aplicación

Esta chimenea se puede controlar usando la aplicación Flame Connect para dispositivos móviles. Para obtener información actualizada sobre la aplicación, visite www.dimplex.com/fcapp.

! NOTA: La chimenea no funcionará con el mando a distancia incluido cuando la aplicación esté abierta en un dispositivo móvil sincronizado. Cuando la aplicación esté en uso, se iluminará un indicador LED en la pantalla de la chimenea.

Figura 19

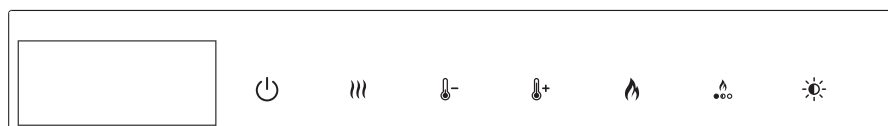
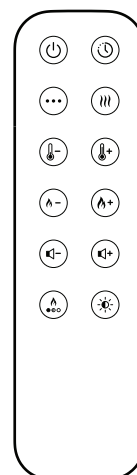




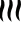



















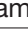








Figura 20








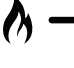
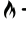

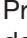

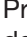




Funcionamiento

	Modo de espera	<p>Presione  para encender la unidad o para ponerla en modo de espera. Hay un breve retraso después de presionar  antes de que la unidad se encienda.</p> <p>Cuando se enciende la unidad, hay una secuencia de calentamiento de 3 minutos antes que inicie el efecto de la flama.</p>
	Calor	<p>Presione  para encender o apagar el calor.</p> <p>Cuando el calor está encendido, la pantalla indica brevemente la temperatura establecida (  ), seguida de la temperatura ambiente de la habitación.</p> <p>Cuando se apaga el calor, el ventilador sigue funcionando durante otros 30 segundos para disipar el calor residual.</p>
Desactivar calefacción	<p>Mantenga presionados los botones  y  al mismo tiempo durante 3 segundos para desactivar o activar la función de calor. Esta acción se debe realizar en los controles táctiles ocultos.</p> <p>Cuando el calor está desactivado y se presione , aparece    en la pantalla.</p>	
	Subir la temperatura	<p>Presione  para subir la temperatura.</p> <p>La temperatura se puede ajustar de 15° C a 30° C (59° F a 86° F).</p>
	Bajar la temperatura	<p>Presione  para bajar la temperatura.</p>
Visualización de la temperatura (°C ↔ °F)	<p>Mantenga presionados los botones  y  al mismo tiempo durante 3 segundos para cambiar las unidades de temperatura que se muestran. Esta acción se debe realizar en los controles táctiles ocultos.</p>	
	Intensidad de la flama	<p>Presione  varias veces para ajustar la intensidad de la flama. La pantalla indica    (intermedia), o .</p> <p>! NOTA: Deje 15 minutos de funcionamiento antes de ajustar la intensidad de la flama.</p>
Función de ventilador extractor	<p>La función de ventilador extractor elimina cualquier empañamiento excesivo en la chimenea.</p> <p>Mantenga presionado el botón  5 segundos para encender la función de ventilador extractor. Una vez que haya terminado, la flama se reanuda a una intensidad baja. Esta acción se debe realizar en los controles táctiles ocultos.</p>	
	Ambiente y apariencia de la flama	<p>Presione  varias veces para pasar por los 8 ambientes y colores de flama diferentes:</p> <ul style="list-style-type: none"> 1 - Flama natural 2 - Azul 3 - Violeta 4 - Rojo 5 - Aguamarina 6 - Modo prisma - los medios y las luces superiores pasan por todos los colores 7 - Modo caleidoscopio - los medios y las luces superiores pasan por todos los colores a diferentes velocidades. 8 - Personalizado (se requiere la aplicación)
	Brillo	<p>Presione  varias veces para pasar por todas las opciones de ajuste de brillo de la luz superior:</p> <ul style="list-style-type: none"> 1 - Nivel de brillo 1 2 - Nivel de brillo 2 3 - Nivel de brillo 3 4 - Nivel de brillo 4 5 - Nivel de brillo 5 6 - Efecto de pulsación

Funcionamiento

Funciones adicionales que se pueden realizar con el mando a distancia

	Temporizador	<p>Presione  varias veces para establecer la duración del temporizador. La chimenea entra en modo de espera una vez que transcurre el tiempo establecido. El temporizador se puede ajustar de 30 minutos (la pantalla muestra <i>0.5Hr</i>) a 8 horas en intervalos de 30 minutos.</p> <p>Para apagar el temporizador, presione  después de que aparezca 8Hr y la pantalla indicará <i>OFF</i>.</p> <p>Mientras el temporizador esté activo, presione el botón del temporizador para ver el tiempo restante.</p>
	Selección de modo del calentador	<p>Presione  varias veces para pasar por los diferentes modos del calentador:</p> <p>Normal: El calentador se ajusta automáticamente para llegar a la temperatura especificada y mantenerla.</p> <p>Eco: El calentador funcionará con energía reducida para ahorrar energía.</p> <p>Impulso de calor: El calor está a máxima potencia durante un periodo preestablecido antes de regresar al modo de calentador normal. Seleccione <i>B5T1</i> para 5 minutos, <i>B5T2</i> para 10 minutos, o <i>B5T3</i> para 15 minutos.</p> <p>Protección antiescarcha: El calentador mantiene la temperatura ambiente a 7° C (45° F). Para indicar este modo, las luces superiores son azules y la pantalla indica <i>-FP-</i> continuamente. No se puede encender el efecto de flama en este modo.</p> <p>Ventilador: El ventilador funciona sin calor para que el aire circule por la habitación.</p>
	Aumentar la intensidad de la flama	Presione  para aumentar la intensidad de la flama a <i>MEJ</i> (intermedio) o <i>HIGH</i> .
	Disminuir la intensidad de la flama	Presione  para disminuir la intensidad de la flama a <i>LOW</i> o <i>MEJ</i> (intermedio).
	Aumentar el volumen	Presione  varias veces (o manténgalo presionado) para disminuir el nivel de volumen del efecto de sonido de la leña.
	Disminuir el volumen	Presione  varias veces (o manténgalo presionado) para aumentar el nivel de volumen del efecto de sonido de la leña.
		<p>El volumen del efecto del sonido de la leña se puede ajustar desde APAGADO hasta un nivel 6.</p> <p>Presione  o  para visualizar brevemente el ajuste de volumen actual.</p>

Reajuste del interruptor de corte de la temperatura

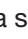

En caso de que el calentador se sobrecaliente, un interruptor de límite manual lo apagará y no se volverá a encender sin que se reinicie. Se puede reiniciar apagando la unidad desde el interruptor central de encendido/apagado en el panel central de desconexión y esperando 10 minutos antes de volver a encender la unidad.

⚠ PRECAUCIÓN: Si es necesario reiniciar el calentador de manera continua, desenchufe la unidad en el panel central de desconexión y llame a soporte técnico al: 1-888-346-7539.

Cómo restaurar los ajustes de fábrica

Al realizar un reinicio a los ajustes de fábrica, todos los ajustes regresan a los preestablecidos, se desconecta la unidad de la aplicación móvil si está conectada, y se borran todos los usuarios principales e invitados. Esto también puede ayudar a resolver problemas al conectarse a la aplicación Flame Connect.


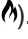



Para restaurar todos los ajustes preestablecidos de fábrica:

1. Apague el suministro de energía durante 10 segundos en el interruptor de encendido.
2. Vuelva a encender el suministro de energía. La unidad iniciará la secuencia de calentamiento.
3. Una vez que se complete la secuencia de calentamiento, mantenga presionados los botones  y  al mismo tiempo durante 10 segundos. Esta acción se debe realizar en los **controles táctiles ocultos**.

Cebado del tanque de agua

El aparato debe cebarse con agua antes del primer uso y siempre que los sumideros estén completamente vacíos (por ejemplo, después de la limpieza o el mantenimiento).

Una vez que la unidad esté conectada al suministro de agua y energía, ceba los sumideros usando los controles táctiles ocultos (**Figura 19**) siguiendo estos pasos:

1. Compruebe que el grifo del agua esté abierto. (**Figura 9, página 13**)
2. Gire el interruptor de encendido a la posición de encendido.
3. Cuando el dispositivo está en modo de espera, mantenga presionado  durante 5 segundos. El aparato permanecerá en modo de espera y se encenderá el icono de intensidad de la flama ().
4. Presione  durante 3 segundos. La pantalla se desplazará por el texto "FILLING" (llenando) durante el cebado. Cuando se complete el llenado, la pantalla mostrará "FULL" (lleno), el icono  desaparecerá y se escucharán 4 pitidos. El dispositivo volverá al modo de espera.
5. Para iniciar el dispositivo, presione  una vez. Comenzará la secuencia de calentamiento.

Reemplazo de las baterías del mando a distancia

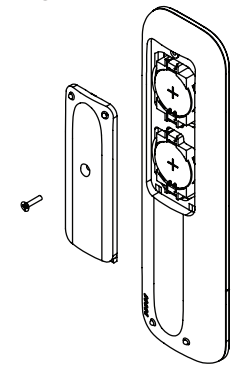
Para cambiar la baterías:

1. Retire la tapa de las baterías del mando a distancia usando un destornillador Phillips.
2. Instale correctamente dos baterías de 3 voltios (CR2032 o similares) en el compartimento de las baterías con el lado + hacia arriba.
3. Asegure la tapa de las baterías usando el tornillo que retiró anteriormente.



Es necesario reciclar la baterías o desecharlas de manera adecuada. Consulte con las autoridades locales o con un minorista para obtener información sobre el reciclaje en su área.

Figura 21



Limpieza

⚠ ADVERTENCIA: Para reducir el riesgo de incendio, descarga eléctrica o lesiones físicas, desconecte el suministro eléctrico y espere a que se enfríe el calentador antes de intentar cualquier tipo de mantenimiento o limpieza.

⚠ PRECAUCIÓN: El calentador no debe ser operado si hubiera acumulación de polvo o de suciedad sobre o dentro del mismo, ya que ello puede originar una acumulación de calor y dañar la unidad. Por ello, se debe inspeccionar el calentador periódicamente, dependiendo de su estado y, por lo menos, una vez al año.

Limpieza de las superficies de la chimenea

Utilice sólo un paño húmedo para limpiar las superficies de cristal y pintadas de la chimenea. La cara interna del cristal puede empañarse a veces y será necesario limpiarla. No utilice limpiadores abrasivos.

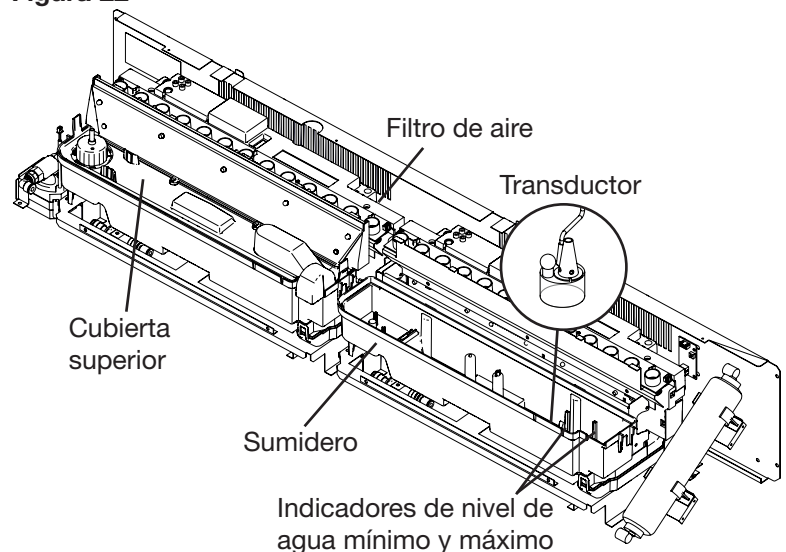
Limpieza de los componentes

Se recomienda limpiar la tapa superior, el sumidero, la botella de agua (si se usa) y los transductores con agua y jabón regularmente, **por lo menos, cada mes**. Dependiendo de la calidad del agua, probablemente sea necesario limpiar la chimenea con más frecuencia.

⚠ PRECAUCIÓN: No coloque los componentes plásticos en el lavavajillas.

Los filtros de aire pueden extraerse y enjuagarse con agua con cuidado para su limpieza y pueden secarse con una toalla antes de volver a instalarlos. Vuelva a instalar el filtro de manera que el filtro grueso de color negro quede orientado hacia la parte trasera de la unidad.

Figura 22



Para reemplazar el transductor

Después de un uso prolongado es posible que la capacidad de la unidad para producir bruma se reduzca. Si la limpieza no mejora el funcionamiento del efecto de flama, es posible que sea necesario reemplazar el transductor. La unidad viene con transductores de repuesto. Puede comprar más transductores en www.dimplex.com/replacement_parts (9601210100RP).

! NOTA: Para retirar el transductor, libere la pestaña que lo retiene en el sumidero y retire el transductor.

Servicio técnico

Con excepción de los procedimientos de instalación y limpieza descritos en este manual, un representante autorizado de servicio técnico deberá realizar cualquier otro tipo de servicio.

Solución de problemas

Para ver más formas de resolver problemas, consulte el Manual de Servicio de OLF que puede encontrar en www.dimplex.com/customer_support/technical_and_troubleshooting

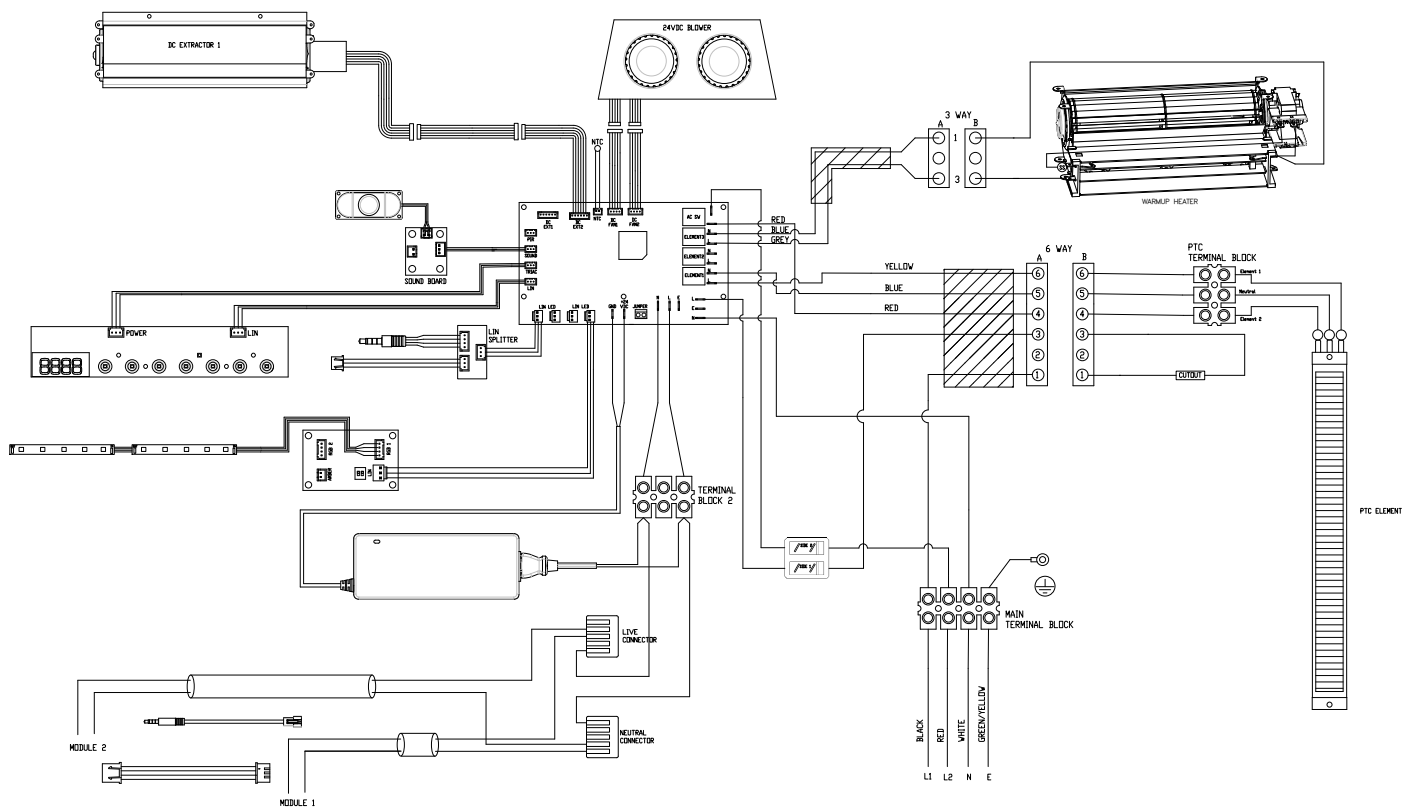
Problema	Pantalla	Causa	Solución
La chimenea no enciende con los controles táctiles manuales	N/A	Funcionamiento normal	Hay un breve retraso después del apoyo del 
		No llega el suministro de energía.	Asegúrese de que el interruptor de encendido esté la posición adecuada. Asegúrese de que la unidad esté cableada correctamente. Revise el panel central de desconexión.
		Error de los controles táctiles ocultos.	Consulte el manual de servicio.
La chimenea no responde a los comandos que se le dan con el mando a distancia	N/A	Las baterías en el mando a distancia están descargadas o no se instalaron correctamente.	Reemplace las baterías del mando a distancia Asegúrese de que las baterías estén instaladas con + hacia arriba.
	LED azul	La aplicación Flame Connect está abierta en un dispositivo móvil.	Cierre la aplicación Flame Connect en todos los dispositivos móviles para permitir el uso del mando a distancia.
	N/A	El control remoto no está sincronizado con la chimenea.	Reinicie la unidad apagando la alimentación desde el interruptor de alimentación o disyuntor durante 10 segundos antes de volver a encenderla. Presione cualquier botón en el control remoto.
El calentador está encendido pero no hay calor	-##5T-	El punto de ajuste de temperatura está por debajo de la temperatura ambiente.	Aumente el ajuste de temperatura, de modo que esté por encima de la temperatura ambiente.
El disyuntor salta o el fusible se quema al encender la unidad	N/A	La clasificación de corriente del circuito no es la correcta.	Instale la unidad en un circuito exclusivo de mínimo 15 amperes.
El cristal delantero se empaña	N/A	Exceso de humedad	Utilice el Función de ventilador extractor según sea necesario para eliminar el exceso de humedad del interior de la unidad. (Ver pág. 20) Si el empañamiento persiste, reduzca la intensidad de la flama.
El efecto de flama no es uniforme en todos los módulos	N/A	Operación normal, es de esperarse que haya una leve variación en el grosor y la altura del efecto de flama de un módulo al otro.	No se requiere realizar ninguna acción.
		Operación normal al inicio.	Permita que la unidad se caliente durante 10 o 15 minutos para que se establezca la altura del efecto de flama.
		El transductor no está funcionando de la mejor manera.	Limpie los componentes del módulo, incluido el transductor. Si el problema persiste, reemplace el transductor.
El calor no enciende		El calentador está desactivado.	Mantenga presionados los botones  y  al mismo tiempo en los controles táctiles ocultos durante 3 segundos para desactivar o activar la función de calor.

Solución de problemas

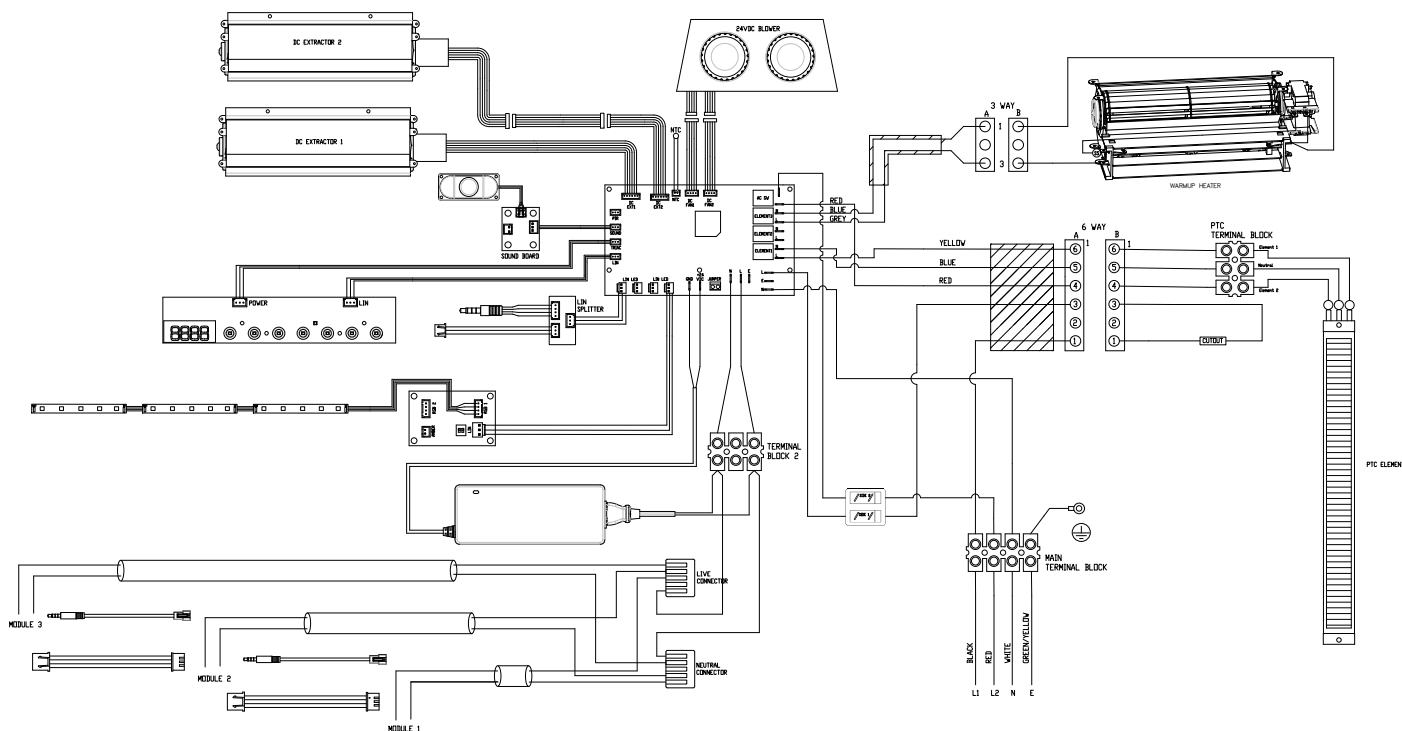
Problema	Pantalla	Causa	Solución
El calor no enciende	Ⓒ 143	El calentador se desactivó permanentemente.	Si se desea una instalación con calor, vuelva a instalar el cable de puente en la placa principal, si está disponible, o compre una nueva placa principal.
	Ⓒ 120	Error de coeficiente negativo de temperatura (NTC) de temperatura ambiente	Consulte el manual de servicio.
	Ⓒ 123	Error de NTC en el circuito	Apague la unidad con el interruptor de encendido. Revise si el escape de la unidad está bloqueado. Permita que la unidad se enfríe durante 30 minutos. Si el error persiste, consulte el manual de servicio.
	Ⓒ 133	Se detectó sobrecalentamiento de la placa de circuito impreso (PCB) principal	Apague la unidad con el interruptor de encendido. Permita que la unidad se enfríe durante 30 minutos. Si el error persiste, consulte el manual de servicio.
	Ⓒ 134	Error en el ventilador del calentador	Consulte el manual de servicio.
El efecto de flama no enciende En algunos casos, la pantalla muestra un código de error seguido de una % para indicar qué sumideros registraron el error. Por ejemplo, si hay tres módulos de flama y el de en medio es el que está fallando, en la pantalla parpadeará el código de error, seguido de _%_.	Ⓒ 144	Error del ventilador extractor	Consulte el manual de servicio.
	Ⓒ 145	Se detectó un número de módulos incorrecto.	Consulte el manual de servicio.
	Ⓒ 151	Nivel de agua bajo en uno de los sumideros.	Reinicie la unidad apagándola con el interruptor de encendido o el disyuntor durante 10 segundos antes de volver a encenderla. Revise las conexiones de plomería. Si el error persiste, consulte el manual de servicio.
	Ⓒ 156	Se agotó el tiempo para llenar el sumidero.	Reinicie la unidad apagándola con el interruptor de encendido o el disyuntor durante 10 segundos antes de volver a encenderla. Revise la presión del agua y las conexiones de plomería. Si el error persiste, consulte el manual de servicio.
	Ⓒ 157	Hay una posible fuga en la unidad.	Inspeccione los módulos para ver si hay alguna fuga. Si el error persiste, reemplace el interruptor de lámina.
	Ⓒ 158	Se detectó un flujo excesivo de agua.	Inspeccione los módulos y retire cuidadosamente el exceso de agua. Consulte el manual de servicio.
Error relacionado con la aplicación Flame Connect	Ⓒ 153	Los ajustes de la chimenea no están sincronizados con la aplicación.	Abra la aplicación en su dispositivo móvil para sincronizar los ajustes.

Diagramas de cableado

OLF46-AM

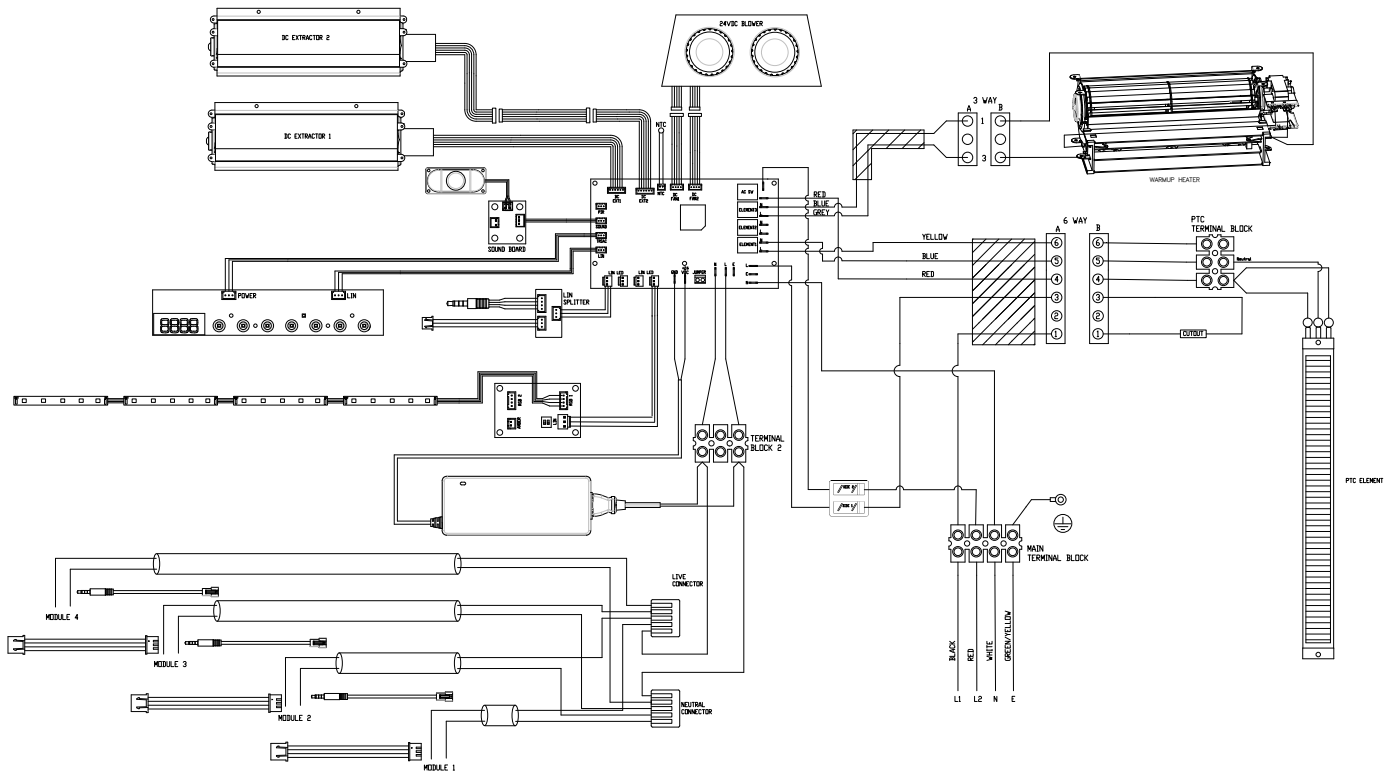


OLF66-AM



Diagramas de cableado

OLF86-AM



GARANTÍA LIMITADA DE 2 AÑOS DE OPTI-MYST LINEAR™

Sección 1 Productos sobre los que se aplica esta Garantía limitada

Esta Garantía limitada se aplica a los calentadores de aire eléctricos de Dimplex con número de modelo OLF46-AM, OLF66-AM y OLF86-AM compradas recientemente.

Esta Garantía limitada sólo cubre las compras realizadas en cualquier provincia de Canadá, excepto en el territorio de Yukón, Nunavut, o los Territorios del Noroeste, o en cualquiera de los 50 estados de los Estados Unidos de América (incluido el Distrito de Columbia), excepto Hawái y Alaska. Esta Garantía limitada se aplica al comprador original del producto únicamente y no es transferible.

Sección 2 Productos excluidos de esta garantía limitada

No están cubiertos por esta Garantía limitada los productos comprados en el Territorio de Yukón, Nunavut, Territorios del noroeste, Hawái ni Alaska. Los productos adquiridos en estos estados, provincias o territorios se venden TAL CUAL, sin garantía ni condición de ningún tipo, lo que incluye, sin limitación, cualquier garantía implícita o condiciones de comerciabilidad o adecuación a un fin particular. El riesgo total respecto de la calidad y del rendimiento de los productos recae en el comprador. En el caso de un defecto, el comprador asume todo el costo de cualquier servicio técnico o reparación necesarios.

Sección 3 Lo que cubre esta Garantía limitada y hasta cuándo

Los productos OLF46-AM, OLF66-AM y OLF86-AM excluidos sus paquetes de accesorios y rebordes, están cubiertos por esta Garantía limitada y se han probado e inspeccionado antes de su envío y, de acuerdo con las cláusulas de esta garantía, Glen Dimplex Americas Ltd. (de aquí en adelante, Glen Dimplex Americas) garantiza que tales productos están libres de defectos de materiales y de fabricación durante un periodo de 5 meses a partir de la fecha de primera compra de dichos productos. Esta Garantía limitada de 5 años otorga al comprador el derecho a recibir servicios in situ o en el hogar. De acuerdo con lo anterior, Glen Dimplex Americas será responsable de toda la mano de obra y el transporte en relación con la reparación o el reemplazo del producto o la pieza. En la Sección 5 se describen las excepciones a esto. Algunas jurisdicciones no permiten limitaciones sobre la duración de la Garantía implícita; por ello, es posible que la limitación antes mencionada no se aplique al comprador.

Sección 4 Lo que esta garantía limitada no ampara

Esta Garantía limitada no cubre los productos reparados (salvo por Glen Dimplex Americas o sus representantes técnicos autorizados) ni modificados de ninguna manera. Esta Garantía limitada no se aplica a los defectos que se produzcan por mal uso, abuso, accidente, negligencia, instalación incorrecta, mantenimiento o manejo inadecuados, o funcionamiento con una fuente de alimentación incorrecta.

Sección 5 Cómo informarnos si tiene alguna inquietud relacionada con la garantía

Los defectos se deben informar al Servicio al Cliente de Dimplex en línea en www.dimplex.com/en/contact_us o vía telefónica al 1-888-346-7539. Tenga a mano el comprobante de compra y los números de serie y catálogo/modelo para que el representante le ayude. **Los servicios en el hogar conforme a la Garantía limitada requieren el comprobante de compra.

En el caso de que se demostrase que una pieza o un producto amparado por esta Garantía limitada tiene defectos de material o de fabricación durante (i) el periodo de 5 años de la Garantía limitada para los productos que se mencionaron en la Sección 1, usted dispondrá de los siguientes derechos:

- Glen Dimplex Americas determinará, a su exclusivo criterio, si repara o reemplaza el producto o la pieza defectuosos sin cargo. Si Glen Dimplex Americas no pudiera reparar o reemplazar el producto o la pieza, o si la reparación o el reemplazo no es comercialmente práctico o no se puede completar en forma oportuna, Glen Dimplex Americas puede determinar que, en lugar de reparar o reemplazar el producto, reintegrará al comprador el precio de compra de dicho producto o dicha pieza.
- El servicio de mantenimiento según los términos de esta Garantía limitada será realizado únicamente por distribuidores o técnicos de mantenimiento de Glen Dimplex Americas que estén autorizados para proporcionar dicho servicio como parte de la Garantía limitada.
- Esta Garantía limitada de 5 años otorga derechos al comprador para recibir servicios in situ o en el hogar. De acuerdo con lo anterior, Glen Dimplex Americas será responsable de toda la mano de obra y el transporte en relación con la reparación o el reemplazo del producto o la pieza con las siguientes excepciones: (i) los cargos que se puedan hacer por el transporte al sitio del comprador donde se ubica el producto si el sitio de comprador está a más de 30 millas (48 km) del centro de servicio más cercano del técnico de mantenimiento o distribuidor de Glen Dimplex Americas; y (ii) el comprador es el único responsable de brindar acceso sin obstáculos a las piezas del producto a las que se dará mantenimiento.
- Glen Dimplex Americas no será responsable, y esta Garantía limitada no incluirá, ningún gasto en que se incurra para la instalación o el retiro de los elementos que rodean la chimenea (dinteles), sus rebordes o cualquier parte de los mismos (o cualquier pieza o producto de reemplazo), lo que incluye, sin limitación, todos los costos de envío y transporte de ida y vuelta al centro de trabajo del técnico de mantenimiento o distribuidor autorizado y todos los costos de mano de obra. Tales costos corren por cuenta únicamente del comprador.

Sección 6 Casos en los que Glen Dimplex Americas, los distribuidores y los técnicos de mantenimiento no son responsables

EN NINGÚN CASO PODRÁ RESPONSABILIZARSE A GLEN DIMPLEX AMERICAS NI A SUS DIRECTIVOS, RESPONSABLES NI AGENTES, ANTE EL COMPRADOR O TERCEROS DE CUALQUIER TIPO, YA SEA CONTRACTUALMENTE, EXTRACONTRACTUALMENTE, O CON CUALQUIER OTRO CONCEPTO, DE CUALQUIER PÉRDIDA, COSTO O DAÑO INDIRECTO, ESPECIAL, PUNITIVO, EJEMPLARIZANTE, MEDIATO O INCIDENTAL, QUE SE PRODUZCA O ESTÉ RELACIONADO CON LA VENTA, MANTENIMIENTO, USO O IMPOSIBILIDAD DE USAR EL PRODUCTO, INCLUSO SI GLEN DIMPLEX AMERICAS O SUS DIRECTIVOS, RESPONSABLES O AGENTES HAN SIDO ASESORADOS RESPECTO A LA POSIBILIDAD DE QUE SE INCURRA EN DICHA DAÑOS, PÉRDIDAS O COSTOS, O SI TALES DAÑOS, PÉRDIDAS O COSTOS SON PREVISIBLES. EN NINGÚN CASO PODRÁ RESPONSABILIZARSE A GLEN DIMPLEX AMERICAS NI A SUS DIRECTIVOS, RESPONSABLES O AGENTES DE CUALQUIER DAÑO, PÉRDIDA O COSTO DIRECTO QUE SUPERE EL PRECIO DE COMPRA DEL PRODUCTO. ALGUNAS JURISDICCIONES NO PERMITEN LA EXCLUSIÓN O LIMITACIÓN DE DAÑOS INCIDENTALES O MEDIATOS; POR ELLO PUEDE QUE LA LIMITACIÓN O EXCLUSIÓN ANTERIOR NO SEA APLICABLE AL COMPRADOR.

Cómo se aplican las legislaciones provinciales y estatales

Esta Garantía limitada le proporciona derechos legales específicos y puede que usted tenga también otros derechos que varían de una jurisdicción a otra. Las cláusulas de la convención de las Naciones Unidas sobre Contratos de Venta de Mercancías no serán aplicables a esta Garantía limitada ni a la venta de productos cubiertos por esta Garantía limitada.

¡Valoramos sus comentarios!

Sus comentarios nos ayudan a crear productos y experiencias aún mejores.

Comparta la calidez y deje una reseña.

dimplex.com/sharethewarmth

 [YouTube/Dimplex](https://www.youtube.com/Dimplex) 🔍



Etiqueta QR

Para obtener más información sobre la aplicación Flame Connect, visite dimplex.com/fcapp



1-888-346-7539 | www.dimplex.com

Para mantener nuestra política de mejora continua del producto, nos reservamos el derecho de hacer cambios sin notificación previa.

© 2023 Glen Dimplex Americas

 UNA MARCA DE GLEN DIMPLEX AMERICAS