

GYROFOCUS GAS SUSPENDED FIREPLACE



Manufacturer and Importer of high-end Gas, Wood and Electric Fireplaces



Iconic designs imported from Southern France



SPECIFICATIONS

FUEL TYPE	Natural Gas or Propane
HEAT OUTPUT (NATURAL GAS)	17,000 - 54,000 BTU/hr
HEAT OUTPUT (LIQUID PROPANE)	11,000 – 42,000 BTU/hr
VIEWABLE OPENING	45 5/8" W x 7 1/8" H
HEARTH WEIGHT	330 lbs.
FLUE WEIGHT	10.6 lbs. per foot
VENTING	Natural Vent - 8" Inside Diameter (Class A Pipe)
FLAME ADJUSTMENT	Yes
REMOTE CONTROL	Yes
ELECTRIC IGNITION	Yes
CERTIFICATION	ANSI Z21 50, ANSI Z223.1/NFPA 54, CSA 2.22, CSA B149.1

PRODUCT OPTIONS & ACCESSORIES

FIREPLACE MODEL

PRODUCT	ITEM CODE
GYROFOCUS GAS - Black Finish	FCS-WD-GYRO-GAS
GYROFOCUS GAS - White Finish	FCS-WD-GYRO-WHITE-GAS

ADJUSTABLE SUSPENSION PLATE

PRODUCT	ITEM CODE
For 8" Flue Pipe and Ceiling Pitch is 0° to 45°	Black - FCS-SUSPLT-04-IND-BLK-GAS White - FCS-SUSPLT-04-IND-WHT-GAS

FIXED SUSPENSION PLATE

PRODUCT	ITEM CODE
For a Fireplace that Uses: - 10" or 12" Pipe OR - 8" Pipe and Ceiling Pitch of > 45°	FCS-SUSPLT-01-SQ-GAS

FINISHING PLATE / COVER DISK

PRODUCT	ITEM CODE
For Flat or Pitched Ceiling	FCS-NSUSCD-P-0-GAS

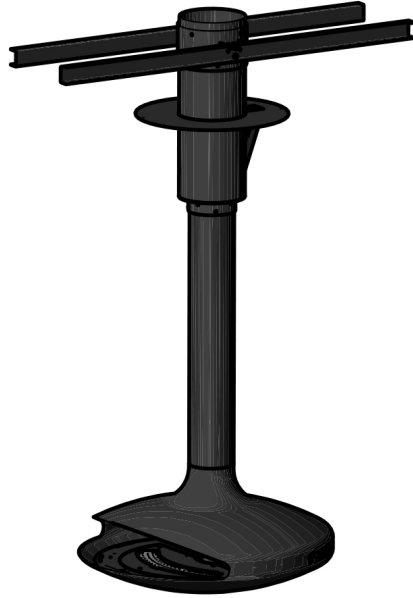
ADDITIONAL FLUE PIPE

PRODUCT	ITEM CODE
Round Flue 8" OD 2' Length	FCS-FLUE-RND-8OD-2
Round Flue 8" OD 4' Length	FCS-FLUE-RND-8OD-4
Round Flue 8" OD 6' Length	FCS-FLUE-RND-8OD-6

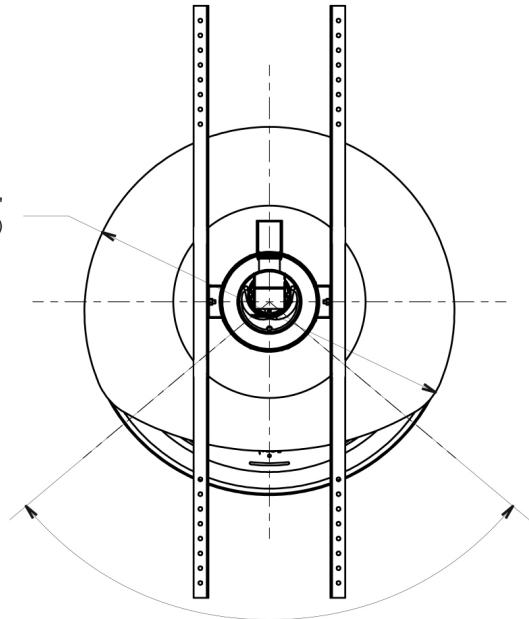
OPTIONAL ACCESSORIES

PRODUCT	ITEM CODE
WALL BRACKET	FCS-WALL-BRKT
BLACK SPRAY PAINT	FCS-PT-FBP-02
WHITE SPRAY PAINT	FCS-PT-WHTP

CUT SHEET



Ø 49 1/4"
(Ø 1,250 mm)



100°

