



Regency Horizon® HZO60 Outdoor Gas Fireplace

Owners & Installation Manual

MODELS: HZO60-NG11
HZO60-LP11



⚠ WARNING:

If the information in these instructions are not followed exactly, a fire or explosion may result causing property damage, personal injury or loss of life.

⚠ WARNING: For Outdoor Use Only.

Installation and service must be performed by a qualified installer, service agency, or the gas supplier.

⚠ DANGER - FIRE OR EXPLOSION HAZARD

If you smell gas:

- Shut off gas to the appliance.
- Extinguish any open flame.
- If odour continues, leave the area immediately.
- After leaving the area, call your gas supplier or fire department.

Failure to follow these instructions could result in fire or explosion, which could cause property damage, personal injury, or death.

⚠ WARNING:

Do not store or use gasoline, or other flammable vapors and liquids, in the vicinity of this or any other appliance.

An LP-cylinder not connected for use shall not be stored in the vicinity of this or any other appliance.

INSTALLER: Leave this manual with the appliance.

CONSUMER: Retain this manual for future reference.

Tested by:



Installer: Please complete the details on the back cover and leave this manual with the homeowner.

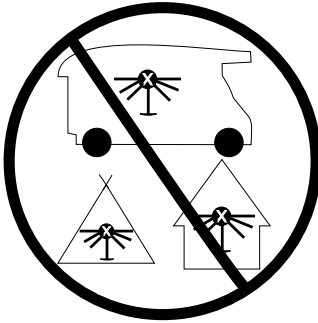
Homeowner: Please keep these instructions for future reference.

To the New Owner:

Congratulations!

You are the owner of a state-of-the-art Gas Fireplace by REGENCY®. The Horizon® HZO60 Outdoor fireplace has been designed to provide you with all the warmth and charm of a fire at the flick of a switch. The Horizon® HZO60 Outdoor fireplace has been approved by Warnock Hersey/Intertek for both safety and efficiency. As it also bears our own mark, it promises to provide you with economy, comfort and security for many trouble free years to follow. Please take a moment now to acquaint yourself with these instructions and the many features of your Regency® Fireplace.

DANGER



CARBON MONOXIDE HAZARD

This appliance can produce carbon monoxide which has no odor.

Using it in an enclosed space can kill you.

Never use this appliance in an enclosed space such as a camper, tent, car or home.

MONOXYDE DE CARBONE

Cet appareil peut produire du monoxyde de carbone, un gaz inodore.

L'utilisation de cet appareil dans des espaces clos peut entraîner la mort.

Ne jamais utiliser cet appareil dans un espace clos comme un véhicule de camping, une tente, une automobile ou une maison.

919-780a



WARNING!



**HOT GLASS WILL
CAUSE BURNS**

**DO NOT TOUCH GLASS
UNTIL COOLED**

**NEVER ALLOW CHILDREN
TO TOUCH GLASS**

WARNING:

Improper installation, adjustment, alteration, service or maintenance can cause injury or property damage. Read the installation, operating and maintenance instructions thoroughly before installing or servicing this equipment.



We recommend that our products be installed and serviced by professionals who are certified in the U.S. by the National Fireplace Institute® (NFI) or in Canada by Wood Energy Technical Training (WETT).



Safety Decal4
 Copy of Safety Decal 4
 HZO60 Decal Location 4

Dimensions5
 Unit Dimensions - HZO60 Single Sided5
 Unit Dimensions - HZO60 See Through6

Installation.....7
 Gas Installation Checklist 7
 Important Message 9
 Before You Start..... 9
 General Safety Information..... 9
 Installation Checklist..... 10
 Locating Your Gas Fireplace..... 10
 Important Information for Outdoor Fireplace
 Installations..... 11
 Minimum Clearances to Combustibles 12
 Framing Dimensions Single Sided..... 13
 Framing Dimensions See Through 14
 Mantel Clearances (Single Sided & See Through) 15
 Mantel Leg Clearances..... 15
 Non-Combustible Requirements..... 16
 Framing & Finishing..... 17
 Data System 18
 High Elevation..... 18
 Gas Line Installation 18
 Pilot Adjustment..... 18
 Gas Pipe Pressure Testing 18
 886 S.I.T. Valve Description 18
 Aeration Adjustment 18
 Unit Assembly Prior to Installation..... 19
 Standoff Assembly..... 19
 Nailing Strips..... 19
 Converting Unit from Single Sided to See Through..... 20
 Drain Installation (recommended) 21
 HZO60 Enclosure Vent Installation..... 22
 Wall Switch & Battery Installation (included with unit) .23
 Wiring Diagram..... 24
 Conversion from NG to LP..... 25
 Optional Hardwire Kit Installation 27
 AC Adaptor Installation..... 30
 Inner Panel Removal / Installation 31
 Glass Crystal / Basalt Volcanic Stones Installation 32

Optional Log Set Installation.....33
 Optional Faceplate Installation 37
 Optional Leaf / Burner Cover Installation..... 38
 Optional Finishing Trim 38
 Glass Wind Shield Installation 39

Operation.....40
 Operating Instructions 40
 Lighting Procedure 40
 Shutdown Procedure 40
 First Fire 40
 Aeration Adjustment 40
 Copy of Lighting Plate Instructions 41

Maintenance.....42
 Maintenance Instructions 42
 Valve Assembly Replacement 43
 Gas Maintenance - Recommended Annual Routine ... 45

Parts.....46
 Main Assembly 46
 Optional Accessories..... 49

Warranty50
 Warranty 50

4 | safety decal

This is a copy of the label that accompanies each HZO60 Outdoor Fireplace. We have printed a copy of the contents here for your review.

NOTE: Regency® units are constantly being improved. Check the label on the unit and if there is a difference, the label on the unit is the correct one.

COPY OF SAFETY DECAL

Duplicate S/N 545

Minimum Clearances to Combustibles /
Dépassements minimes aux combustibles

REGENCY
FIREPLACE PRODUCTS

545

Serial No. / No. de série

DO NOT REMOVE THIS LABEL / NE PAS ENLEVER CETTE ÉTIQUETTE

APAREIL FONCTIONNANT AU GAZ PROPANE

Maximum supply pressure	14"	WC/C.E.	(3.49 kPa)
Minimum supply pressure	11"	WC/C.E.	(2.74 kPa)
Manifold pressure high	10"	WC/C.E.	(2.49 kPa)
Manifold pressure low	6.4"	WC/C.E.	(1.59 kPa)
Orifice size	#42	DMS	
Maximum input	62,000	Btu/h	(18.17 kW)
Minimum input	49,000	Btu/h	(14.36 kW)
Altitude	0-4500	ft/pl	(0-1372 m)

The installation must conform with local codes or, in the absence of local codes, with CAN/CSA-B149.1, Natural Gas and Propane Installation Code or ANSI Z223.1/NFPA 54. The appliance, when installed, must be electrically grounded in accordance with local codes or, in the absence of local codes, with the Canadian Electrical Code, CSA C22.1 or with the National Electrical Code, ANSI/NFPA 70. L'installation doit être conforme aux codes locaux ou, en l'absence de codes locaux, à la norme CAN/CSA-B149.1, gaz naturel et du propane ou du Code d'installation de l'électricité, CSA C22.1/NFPA 54.

L'appareil, une fois installé, doit être connecté électriquement à la terre conformément aux codes locaux ou, en l'absence de codes locaux, au Code canadien de l'électricité, CSA C22.1/NFPA 54.

Cet appareil est à utiliser uniquement avec le type de gaz indiqué sur la plaque signalétique. Voir le manuel d'utilisation pour plus de détails. Electrical supply: 60VDC or 115V 60Hz, less than 1A/Alimentation électrique: 60VDC ou 115V 60Hz, inférieur à 1A

For Use only with burner Part #90-4688P / À utiliser uniquement avec le brûleur (pièce n° 90-4688P) - Remarque : si l'installation de ce gaz naturel ou de propane est requise, utiliser 2 pièces n° 90-4688P.

FOR OUTDOOR USE ONLY / POUR USAGE EXTÉRIEUR SEULEMENT

IF STORED INDOORS, DETACH AND LEAVE CYLINDER OUTDOORS / SI VOUS LE GARDEZ À L'INTÉRIEUR, DETACHER LE CYLINDRE ET LAISSER À L'EXTÉRIEUR

APAREIL FONCTIONNANT AU GAZ NATUREL

Maximum supply pressure	14"	WC/C.E.	(3.49 kPa)
Minimum supply pressure	5"	WC/C.E.	(1.25 kPa)
Manifold pressure high	3.5"	WC/C.E.	(0.87 kPa)
Manifold pressure low	1.6"	WC/C.E.	(0.40 kPa)
Orifice size	#11	DMS	
Maximum input	64,000	Btu/h	(18.76 kW)
Minimum input	42,000	Btu/h	(12.31 kW)
Altitude	0-4500	ft/pl	(0-1372 m)

The installation must conform with local codes or, in the absence of local codes, with CAN/CSA-B149.1, Natural Gas and Propane Installation Code or ANSI Z223.1/NFPA 54. The appliance, when installed, must be electrically grounded in accordance with local codes or, in the absence of local codes, with the Canadian Electrical Code, CSA C22.1 or with the National Electrical Code, ANSI/NFPA 70. L'installation doit être conforme aux codes locaux ou, en l'absence de codes locaux, à la norme CAN/CSA-B149.1, gaz naturel et du propane ou du Code d'installation de l'électricité, CSA C22.1/NFPA 54.

L'appareil, une fois installé, doit être connecté électriquement à la terre conformément aux codes locaux ou, en l'absence de codes locaux, au Code canadien de l'électricité, CSA C22.1/NFPA 54.

Cet appareil est à utiliser uniquement avec le type de gaz indiqué sur la plaque signalétique. Voir le manuel d'utilisation pour plus de détails. Electrical supply: 60VDC or 115V 60Hz, less than 1A/Alimentation électrique: 60VDC ou 115V 60Hz, inférieur à 1A

For Use only with burner Part #90-4688P / À utiliser uniquement avec le brûleur (pièce n° 90-4688P) - Remarque : si l'installation de ce gaz naturel ou de propane est requise, utiliser 2 pièces n° 90-4688P.

FOR OUTDOOR USE ONLY / POUR USAGE EXTÉRIEUR SEULEMENT

IF STORED INDOORS, DETACH AND LEAVE CYLINDER OUTDOORS / SI VOUS LE GARDEZ À L'INTÉRIEUR, DETACHER LE CYLINDRE ET LAISSER À L'EXTÉRIEUR

Made in Canada /
Fabriqué au Canada

FPI Fireplaces Products International Ltd.
6888 Ventura St.
Delta, BC, Canada V4G 1H4

HZO60-NG11 900-251-
HZO60-LP11

For the State of Massachusetts, installation and repair must be done by a plumber or gas fitter licensed in the Commonwealth of Massachusetts.

For the State of Massachusetts, flexible connectors shall not exceed 36 inches in length.

For the State of Massachusetts, the appliances individual manual shut-off must be a t-handle type valve.

HZO60 DECAL LOCATION

1. Remove the faceplate.



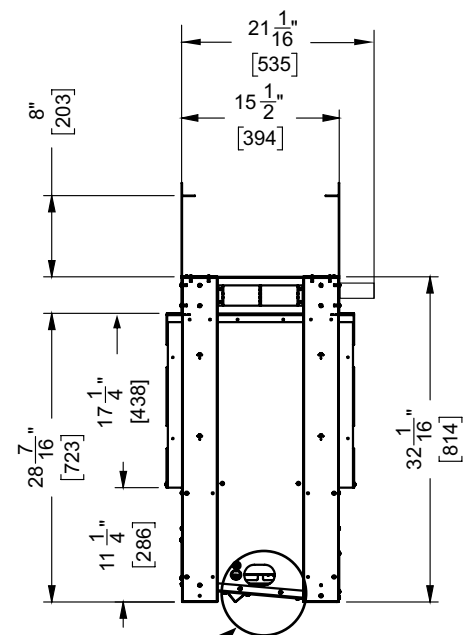
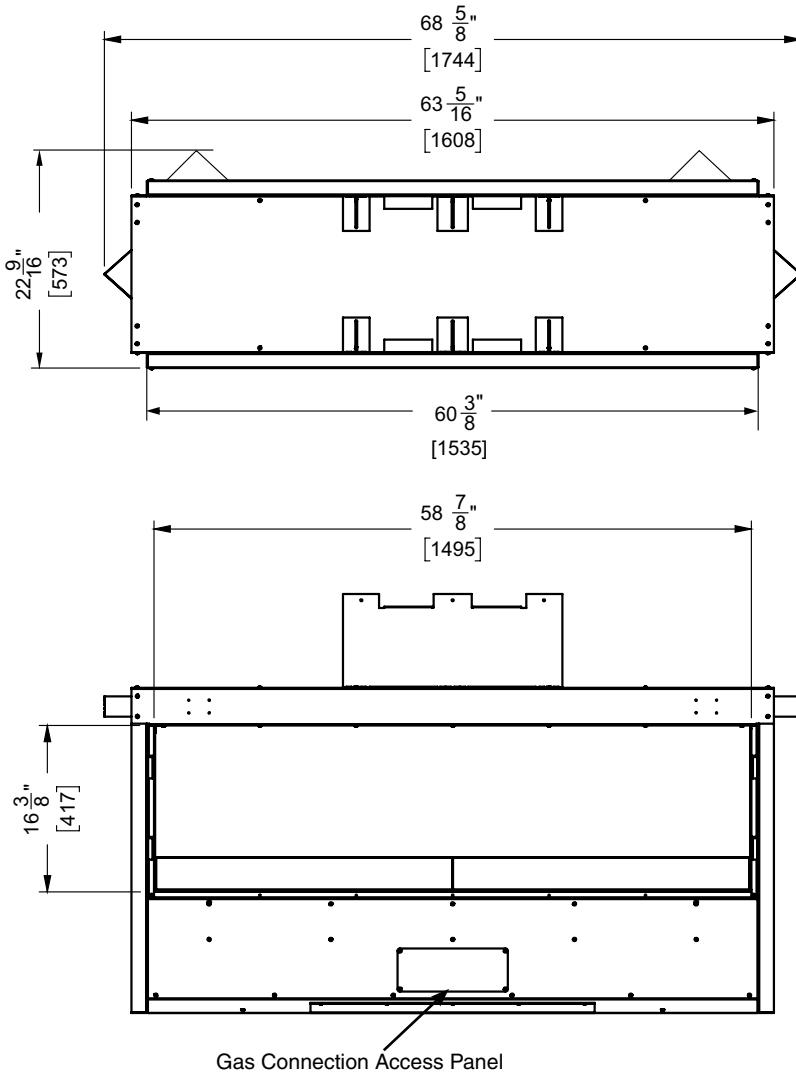
2. Remove the 1-1/4" stainless steel trim.



3. The serial decal is located on the left side under the stainless steel trim.



UNIT DIMENSIONS - HZO60 SINGLE SIDED

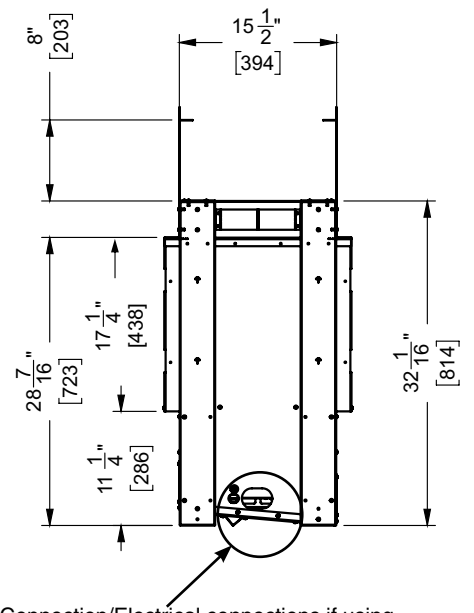
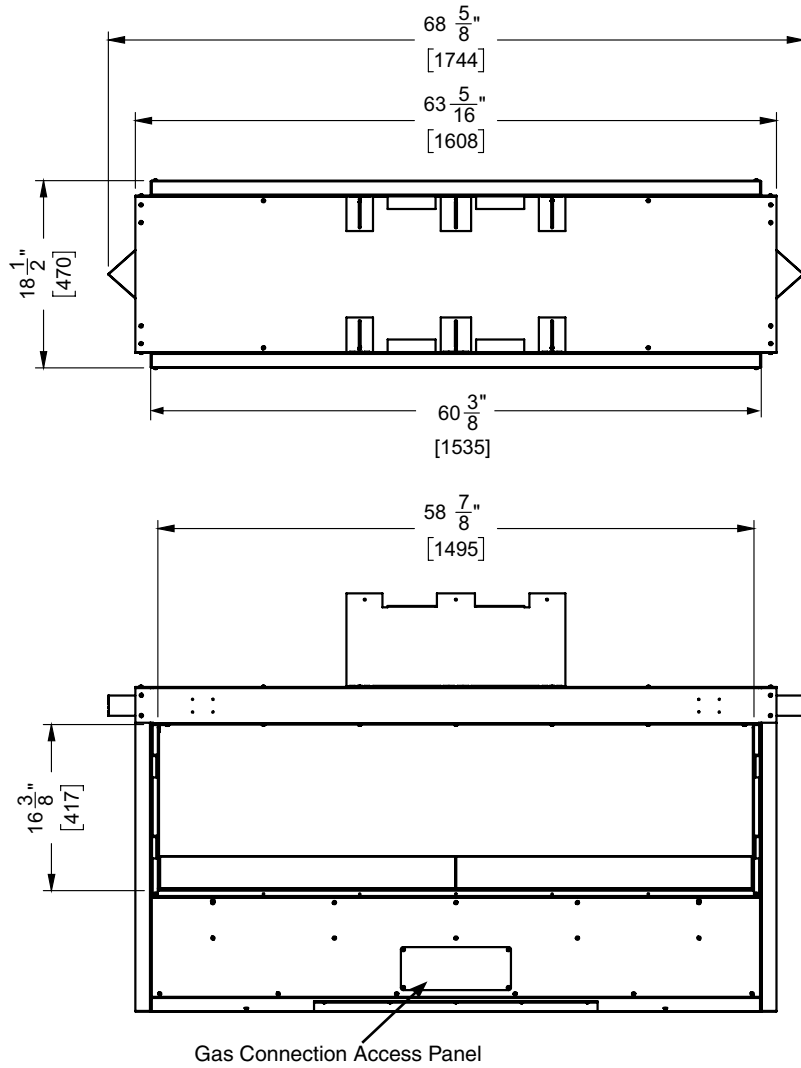


Note: Gas Connection/Electrical connections if using optional Hardwire Kit are located on left hand side of appliance.

ALL PICTURES / DIAGRAMS SHOWN THROUGHOUT THIS MANUAL ARE FOR ILLUSTRATION PURPOSES ONLY. ACTUAL PRODUCT MAY VARY DUE TO PRODUCT ENHANCEMENTS.

6 | dimensions

UNIT DIMENSIONS - HZO60 SEE THROUGH



Note: Gas Connection/Electrical connections if using optional Hardwire Kit are located on left hand side of appliance.

GAS INSTALLATION CHECKLIST

This general checklist does not contain all pertinent installation details or specifics and does not supersede the guidelines in this manual. Your Regency dealer/installer should use it in conjunction with manual instructions. Please follow all local codes and jurisdictions in authority.

Customer: _____	Date Installed: _____
Install Address: _____	Location of Fireplace: _____
Serial No: _____	Installer: _____
Model No: _____	

Site Requirements	YES	NO
If applicable, are the insulation, vapour barrier, and drywall present if installed on an outside wall or chase?		
Does the area have a solid continuous base to support the unit?		
Will the area accommodate the size of the appliance and all clearances?		
Are the gas and electrical roughed into the area where the unit is being installed?		
In City & Grandview series cool wall applications, is the chase enclosure sealed to prevent heat from escaping? All hot air from the unit must exit via the mandatory ventilation openings.		
In City & Grandview applications, Is the chase enclosure vented with the mandatory heat ventilation openings? See manual for details.		
If applicable, is the masonry/factory built fireplace in its original condition with no modifications?		
If applicable, have the hearth requirements been met?		
Unit Setup	YES	NO
If applicable, are the standoffs and top nailing flange extensions installed and at the correct depth to accommodate finishing material? See manual for details.		
If applicable, is the fireplace level and secured, meeting framing clearances? See manual for details.		
If applicable, is the unit converted to top or rear vent per manual instructions, and the insulation discarded?		
Venting	YES	NO
Are the venting components approved for the unit installed?		
Does the venting configuration comply with venting diagrams?		
Is venting installed and secured, and are clearances for the vent pipe and termination cap maintained?		
If applicable, was a 1/4" rise maintained for every foot of horizontal run?		
Was the termination installed and sealed?		
Is the direct vent termination at the highest point in the vent assembly?		
If applicable, are both chimney liners continuous from flue collars to termination?		
Electrical and Wiring	YES	NO
Is the appliance connected to the household's 110/120v per local codes? Check local codes for receptacle placement.		
Were the connections in the fireplace tested with a circuit tester?		
Is the appliance properly grounded?		
If applicable, is the supplied electrical/gang box affixed to the wall to facilitate the mounting of the receiver/battery box ?		
Gas	YES	NO
Does the supply pressure meet the requirements shown on the rating plate?		
Was a conversion performed?		
Was a leak check performed and manifold pressures verified?		
Is the shut-off valve installed and easily accessible to the customer?		

8 | installation

Finishing	YES	NO
If applicable, is only noncombustible material installed in the noncombustible areas?		
Do clearances meet installation and manual requirements?		
Do the mantels and/or projections comply with the installation manual?		
If applicable, was the solid fuel fireplace warning plate installed?		
Appliance Media Setup	YES	NO
Do commands from the remote or wall switch light the pilot and main burner?		
Are the burner media/log set, glass door, and screen installed per instructions in the manual?		
Was the air shutter on the proper setting after running the unit for 20 minutes?		
If applicable, were the surround and trims installed according to the manual?		
Was the operation of the fan, lights (if installed), and flame modulation checked?		
Customer Tutorial and Presentation	YES	NO
Is the customer confident operating the new gas appliance and aware of all the features on the remote?		
Confirm that the rating and lighting plates are attached to the appliance. Do not remove.		
Was the customer informed of the location of the rating and lighting plates?		
Was accessing unit controls in a power outage explained to the customer?		
Are the model and serial numbers and the date of installation of the unit written in the manual and on the checklist?		
Were the warranty and unit registration reviewed with the customer?		
Comments:		

IMPORTANT MESSAGE SAVE THESE INSTRUCTIONS

The HZO60 Gas Fireplace must be installed in accordance with these instructions. Carefully read all the instructions in this manual first. Consult the "authority having jurisdiction" to determine the need for a permit prior to starting the installation. It is the responsibility of the installer to ensure this fireplace is installed in compliance with manufacturers instructions and all applicable codes.

BEFORE YOU START

Safe installation and operation of this appliance requires common sense, however, we are required by the Canadian Safety Standards and ANSI Standards to make you aware of the following:

INSTALLATION AND REPAIR SHOULD BE DONE BY AN AUTHORIZED SERVICE PERSON. THE APPLIANCE SHOULD BE INSPECTED BEFORE USE AND AT LEAST ANNUALLY BY A PROFESSIONAL SERVICE PERSON. MORE FREQUENT CLEANING MAY BE REQUIRED DUE TO EXCESSIVE LINT FROM CARPETING, BEDDING MATERIAL, ETC. IT IS IMPERATIVE THAT CONTROL COMPARTMENTS, BURNERS AND CIRCULATING AIR PASSAGEWAYS OF THE APPLIANCE BE KEPT CLEAN.

ANY GUARD OR OTHER PROTECTIVE DEVICE REMOVED FOR SERVICING THE APPLIANCE MUST BE REPLACED PRIOR TO OPERATING THE APPLIANCE

WARNING: FAILURE TO INSTALL THIS APPLIANCE CORRECTLY WILL VOID YOUR WARRANTY AND MAY CAUSE A SERIOUS FIRE.

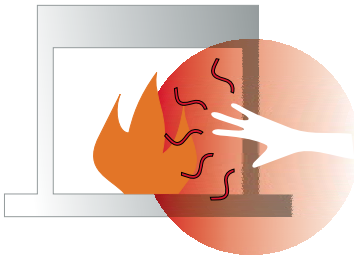
CHILDREN AND ADULTS SHOULD BE ALERTED TO THE HAZARDS OF HIGH SURFACE TEMPERATURES, ESPECIALLY THE FIREPLACE GLASS AND FACEPLATE, AND SHOULD STAY AWAY TO AVOID BURNS OR CLOTHING IGNITION.

THIS APPLIANCE SHALL BE USED ONLY OUTDOORS IN A WELL-VENTILATED SPACE AND SHALL NOT BE USED IN A BUILDING, GARAGE OR ANY OTHER ENCLOSED AREA.

DO NOT USE THIS APPLIANCE IF ANY PART HAS BEEN UNDER WATER. IMMEDIATELY CALL A QUALIFIED SERVICE TECHNICIAN TO INSPECT THE APPLIANCE AND TO REPLACE ANY PART OF THE CONTROL SYSTEM AND ANY GAS CONTROL WHICH HAS BEEN UNDER WATER.

CLOTHING OR OTHER FLAMMABLE MATERIAL SHOULD NOT BE PLACED ON OR NEAR THE APPLIANCE.

YOUNG CHILDREN SHOULD BE CAREFULLY SUPERVISED WHEN THEY ARE IN THE SAME AREA AS THE APPLIANCE. TODDLERS, YOUNG CHILDREN AND OTHERS MAY BE SUSCEPTIBLE TO ACCIDENTAL CONTACT BURNS. A PHYSICAL BARRIER IS RECOMMENDED IF THERE ARE AT RISK INDIVIDUALS IN THE HOUSE. TO RESTRICT ACCESS TO A FIREPLACE OR STOVE, INSTALL AN ADJUSTABLE SAFETY GATE TO KEEP TODDLERS, YOUNG CHILDREN AND OTHER AT RISK INDIVIDUALS OUT OF THE ROOM AND AWAY FROM HOT SURFACES.



GENERAL SAFETY INFORMATION

- 1) When an appliance is for connection to a fixed piping system, the installation must conform with local codes or, in the absence of local codes, with the *National Fuel Gas Code, ANSI Z223.1 - NFPA 54; National Fuel Gas Code; Natural Gas and Propane Installation Code, CSA B149.1; or Propane Storage and Handling Code, CSA B149.2*, as applicable.
- 2) The appliance when installed, must be electrically grounded in accordance with local codes, or in the absence of local codes with the Canadian Electrical Code CSA C22.1 or with the National Electrical Code, ANSI/NFPA 70.
- 3) See general construction and assembly instructions. The appliance should be enclosed.
- 4) Inspect the burner before each use of the appliance for blockage and any signs of deterioration.

- 5) To prevent injury, do not allow anyone who is unfamiliar with the operation to use the fireplace.
- 6) Wear gloves and safety glasses for protection while doing required maintenance.
- 7) Maximum gas inlet pressure = 1/2 psig.
- 8) Under no circumstances should this appliance be modified. Parts that have to be removed for servicing should be replaced prior to operating this appliance.
- 9) Installation and any repairs to this appliance should be done by a qualified service person. A professional service person should be called to inspect this appliance annually. Make it a practice to have all of your gas appliances checked annually.
- 10) Under no circumstances should any solid fuels (wood, paper, cardboard, coal, etc.) be used in this appliance.
- 11) The appliance and its individual shutoff valve must be disconnected from the gas supply piping system during any pressure testing of that system at test pressures in excess of 1/2 psi (3.5kPa).
- 12) The appliance area must be kept clear and free of combustible materials, (gases and other flammable vapours and liquids).

It is highly recommended to protect the interior from moisture (rain, snow). Cover the enclosure opening when not in use. This fireplace is only for use with the type of gas indicated on the rating plate. This fireplace is not convertible for use with other gases, unless a certified kit is used.

- 13) Cover **must** be removed when burner is in operation.
- 14) When not using appliance for extended periods of time - turn off gas supply.
- 15) Do not operate this appliance with a remote control. Only use the ON/OFF switch supplied with this appliance. The ON/OFF switch must be placed within line of sight of the appliance.

WARNING: Cancer and Reproductive Harm
www.P65Warnings.ca.gov 919-874

INSTALLATION CHECKLIST

1. Locate appliance:
 - a) Refer to "Locating your gas fireplace" section
 - b) Clearances to Combustibles (Refer to "Clearances" section)
 - c) Mantel Clearances (Refer to "Combustible Mantel Clearances" section)
 - d) Framing & Finishing Requirements (Refer to "Framing & Finishing" section)
2. Top Facing Support and Side Nailing Strips (Refer to "Unit Assembly Prior to Installation" Section). **Note:** Must be done before installing unit into place.
3. Drain Installation.
4. Install ON/OFF switch - ensure it is in the OFF position.
5. Make gas connections - test for leaks.
6. Install 4 "AA" batteries
7. Install standard and optional features. Refer to the following sections:
 - a. Inner Panel
 - b. Glass Crystals
 - c. Stone Installation (optional)
 - d. Log Installation (optional)
 - e. LP conversion Installation (optional)
 - f. Glass Wind Shield Installation
 - g. Hardwire Installation (optional)
 - h. Faceplate Installation (optional)
8. Final check.

This includes:

1. Clocking the appliance to ensure the correct firing rate (rate noted on label), after burning appliance for 15 minutes.
2. If required, adjusting the primary air to ensure that the flame does not carbon. First allow the unit to burn for 15-20 min. to stabilize.

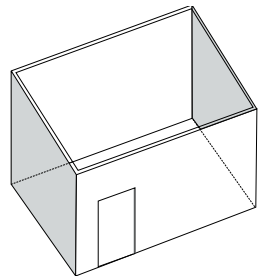
CAUTION: Any alteration to the product that causes sooting or carboning that results in damage is not the responsibility of the manufacturer.

NOTE: In order to function correctly, these types of appliances require at least 50% open access for permanent ventilation/airflow. Open ventilation/airflow space comes from walls and roof/ceiling. Open floor space around the unit must not be considered ventilation/airflow space.

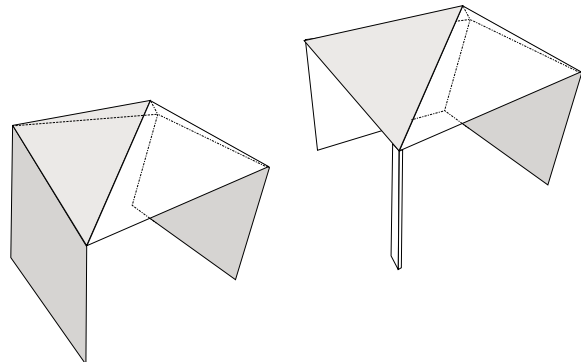
LOCATING YOUR GAS FIREPLACE

1. When selecting a location for your fireplace, ensure that the clearances are met.
2. This appliance must be installed in an open-air situation with natural ventilation, without stagnant areas, where gas leakage and products of combustion are rapidly dispersed by wind and natural convection.
3. Certain materials or items, when placed under or near the appliance, will be subjected to radiant heat and could become damaged.
4. Typically an outdoor space is not enclosed but, any enclosure in which the appliance is used shall comply with one of the following:

An enclosure with walls on all sides, but at least one permanent opening at ground level and no overhead cover.



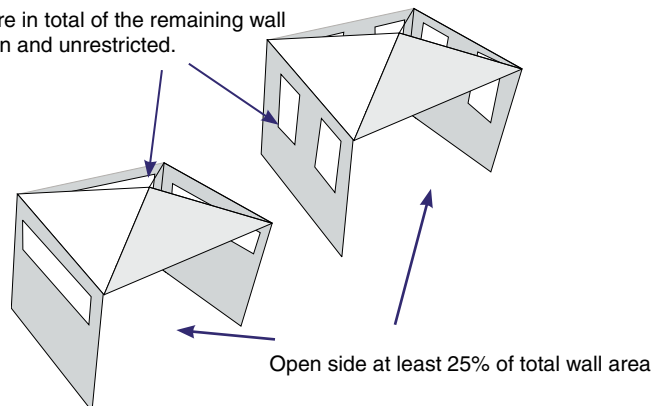
Within a partial enclosure that includes an overhead cover and no more that two walls.



Within a partial enclosure that includes an overhead cover and more than two walls, the following shall apply:

- At least 25% of the total wall area is completely open, and
- At least 30% of the remaining wall area is open and unrestricted

30% or more in total of the remaining wall area is open and unrestricted.



***SEE IMPORTANT INSTALLATION NOTES NEXT PAGE**

IMPORTANT INFORMATION FOR OUTDOOR FIREPLACE INSTALLATIONS

- Never insulate around the body of the unit
- Excessive heat retention in the firebox will lead to component failure and fireplace malfunction
- Excessive heat retention will also increase the risk of fire inside the chase
- Heat retention can cause “Oil-canning” and damage the fireplace due to overheating
- Do not build up a wall of any type in front or to the sides of the appliance, higher than the firebox opening. This will create a pressure zone at the firebox and will prevent the unit from venting
- This is an outdoor appliance with a built-in drain. This drain should be installed and connected in all applications as per the instructions in this manual
- Inadequate drainage will cause rust and reduce the life of your appliance, this is not protected by warranty

COMPONENTS IN OUTDOOR APPLIANCES

- Outdoor units use the same consistent, reliable Electronic components used in most Regency “E” units
- Installed correctly, these components will be subjected to far lower temperatures than indoor units, which have been certified as safe from heat etc
- Working gas pressures are as critical in outdoor products as they are in indoor products, even more important in Electronic systems

COMMON MISCONCEPTIONS REGARDING OUTDOOR FIREPLACES

- There is a common misconception that being outdoors, an Outdoor Fireplace will function, regardless of circumstances,
- Outdoor fireplaces require the same amount of ventilation as indoor units, often more
- Outdoor units require adequate ventilation to the atmosphere, which in turn provides ongoing circulatory combustion air
- This type of Appliance Vents.
- All Outdoor Fireplace Products have the same need for Air/Oxygen, and an ability to Vent
- Even though the appliance is outdoors, this doesn’t mean it is getting adequate air
- Requirements are not specific to Regency units
- Read and follow critical location guidelines in this manual

UNDERSTANDING OUTDOOR APPLIANCE REQUIREMENTS

- Don’t overlook the obvious
- Widen your margin for error
- Combustion always requires the same three elements
- Only the quantities and volumes change



IMPORTANT THINGS TO REMEMBER

- Correct Working Gas pressure is critical on “E” units
- Wherever possible avoid locating on a flat wall in a tight corner
- Floor space doesn’t count as “open area”
- Install to the manual specs for framing and **do not insulate** unit or enclosure
- Framing enclosure must at least meet minimum dimensional specs as per the installation manual
- Only Regency approved media should be used in the firebox (i.e. stones/glass)
- Be aware of pressure zones due to location (i.e. facing the ocean)
- Open walls and doorways to outside air are beneficial to the performance of an outdoor appliance
- Fixed roof/ceiling open areas count towards the total open area overall requirement
- Screens create 40% or more air restriction
- Screened areas are restrictions and reduce open air space, calculate area based on a **closed** screen
- The biggest problems are created by lack of airflow for the appliance
- Outdoor fireplaces are often built-in systems and incorrect installation can result in high repair costs
- Units must not be modified or altered in any way

ANTICIPATED ISSUES CAUSED BY INCORRECT LOCATION OR INSTALLATION

- Unit shutting down intermittently
- Overheating of components leading to failure
- Lifting flame
- Poor flame package (i.e. all to one side, lazy flame)
- Failure to ignite
- Excess carbon
- Safety issues and concerns created from the byproducts of combustion

OUTDOOR APPLIANCES REQUIRE VENTING

- Outdoor appliances must be installed in: open-air situations with natural ventilation and without stagnant areas
- Any gas leakage and products of combustion need to be rapidly dispersed by wind and natural convection
- Typically outdoor spaces are not enclosed, however, failure to adhere to installation guidelines, may cause the outdoor fireplace to be affected by wind or air pressure inside the enclosure
- **ANY** enclosure in which the appliance is used shall comply with one of the diagrams on the previous page.

OUTDOOR APPLIANCE INSTALLATION SUMMARY

- All walls + overhead cover = 100% total area
- One of four walls or full overhead area must be totally open, plus—one of remaining walls must have a fixed opening
- All outdoor fireplaces/fire tables require total **natural** ventilation of 50% open space

MINIMUM CLEARANCES TO COMBUSTIBLES

The clearances listed below are minimum distances unless otherwise stated:

A major cause of fires is failure to maintain required clearances (air space) to combustible materials. It is of the greatest importance that this fireplace be installed only in accordance with these instructions.

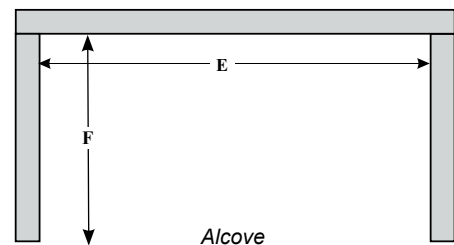
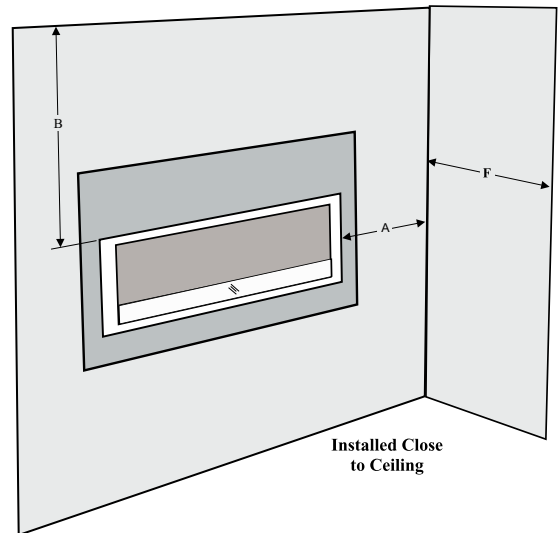
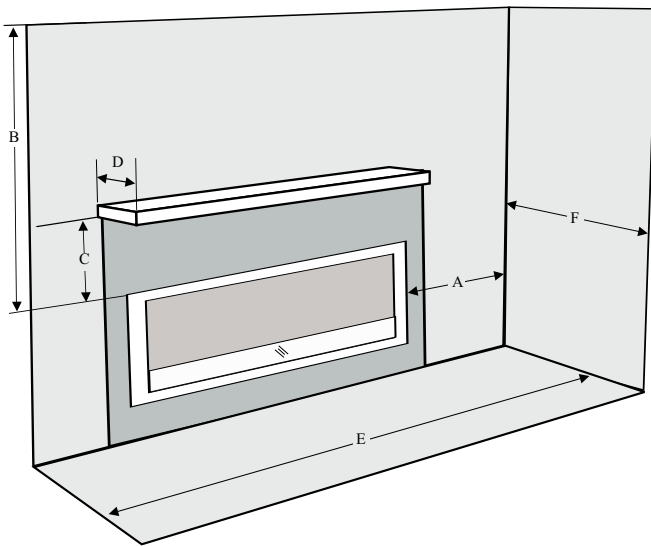
Caution Requirements
 The top, back and sides of the fireplace are defined by standoffs. The metal ends of the standoff may **NOT** be recessed into combustible construction.

WARNING
 Fire hazard is an extreme risk if these clearances (air space) to combustible materials are not adhered to. It is of greatest importance that this fireplace be installed only in accordance with these instructions.

HZO60 External Clearance Requirements

Clearance:	Dimension	Measured From:
A: Sidewall	11" (203mm)	Side of Fireplace Opening
B: Ceiling	36" (914mm)	Top of Fireplace Opening
C: Mantel Height (min.)	22" (559mm)	Top of Fireplace Opening
D: Mantel Depth (max.)	12" (304mm)	From Wall
E: Alcove Width	86" (2184mm)	Wall to Wall (Minimum)
F: Alcove Depth	36" (914mm)	Front to Back Wall (Maximum)
Notes:	0"	No Hearth Required

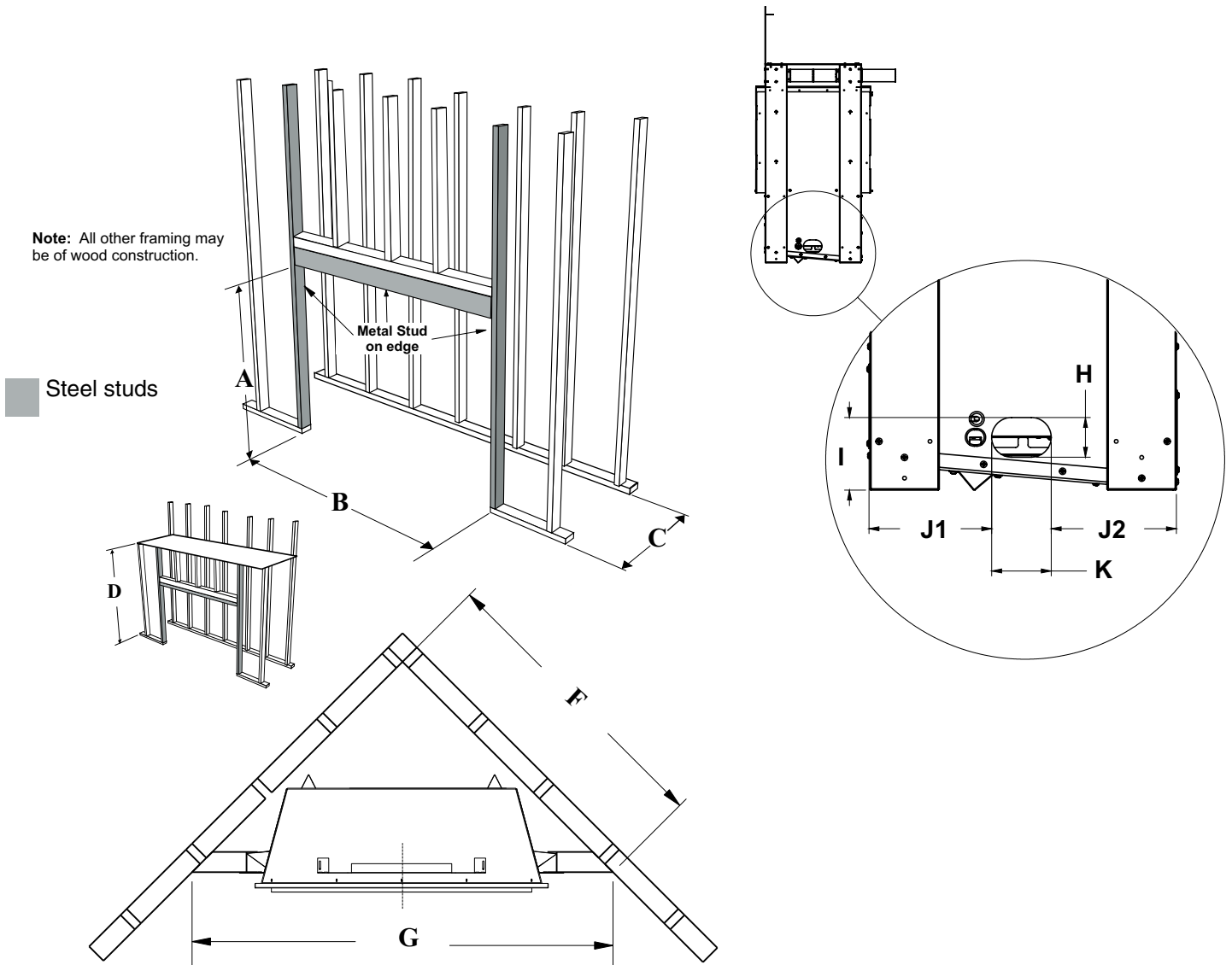
WARNING:
 When installing this appliance; do not cover or surround with insulation. This appliance can overheat and cause malfunction and component failure, if covered, or partially covered. If the appliance is installed inside a chase, insulation must be installed on the walls of the chase, not on the appliance.



FRAMING DIMENSIONS SINGLE SIDED

Framing Dimensions	Description	HZO60
A	Framing Height	40-1/4" (1022mm)
B	Framing Width	69" (1753mm)
C	Minimum framing depth	22-1/4" (565mm)
D	Minimum Height to Combustibles (Chase Enclosure)	43-3/4" (1111mm)
F	Corner Wall Depth	76- 13/16" (1951mm)
G	Corner Facing Wall Width	108 - 5/8" (2759mm)
H	Gas Connection Opening Height	2" (51mm)
I	Gas Connection Height	3-11/16 " (93mm)
J1	Gas Connection Inset	6-3/16" (157mm)
J2	Gas Connection Inset	6-3/16" (157mm)
K	Gas Connection Opening Width	3" (76mm)

* Framing depth measurement is noted with the nailing strips set as far forward on the firebox as possible. The nailing strips can be adjusted back up to 1" to allow for varying thicknesses in non-combustible material & wall finishes.



Important Note: Four (4) ventilation grills must be used for all enclosures. See this manual for further details. This is to alleviate moisture and allow for air to circulate. Minimum recommended size: 20" sq (508 mm²) ea.

FRAMING DIMENSIONS SEE THROUGH

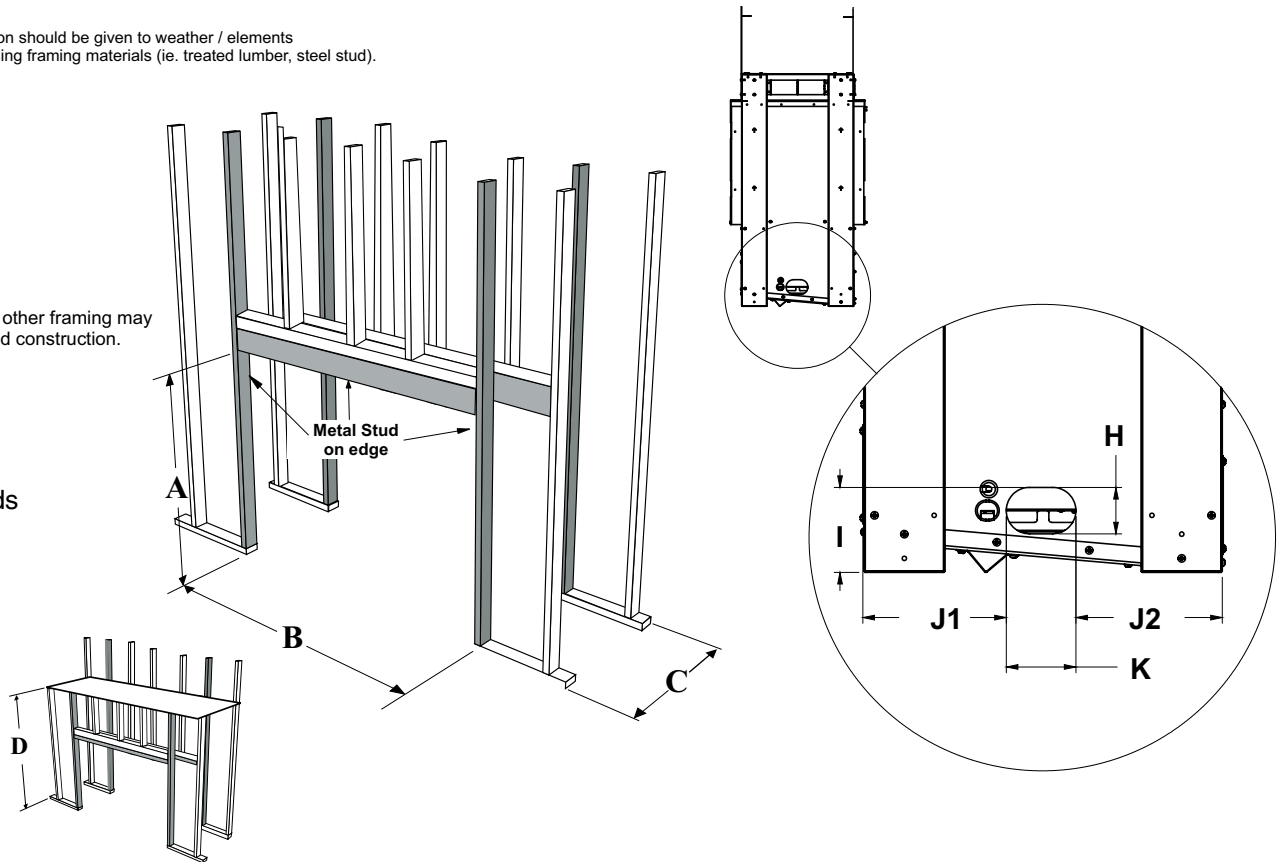
Framing Dimensions	Description	HZO60 See Through
A	Framing Height	40-1/4" (1022mm)
B	Framing Width	69" (1753mm)
C	Minimum framing depth	18-1/2" (470mm) **minus 2X the finished material thickness
D	Minimum Height to Combustibles (Chase Enclosure)	43-3/4" (1111mm)
H	Gas Connection Opening Height	2" (51mm)
I	Gas Connection Height	3-11/16" (93mm)
J1	Gas Connection Inset	6-3/16" (157mm)
J2	Gas Connection Inset	6-3/16" (157mm)
K	Gas Connection Opening Width	3" (76mm)

**Finished material thickness includes: non combustible material, tile slate, etc.
(example framing = 18-1/2" - if 2" thick finishing material is used (on both sides)=14-1/2" framing depth.

Note:
Consideration should be given to weather / elements when choosing framing materials (ie. treated lumber, steel stud).

Note: All other framing may be of wood construction.

Steel studs

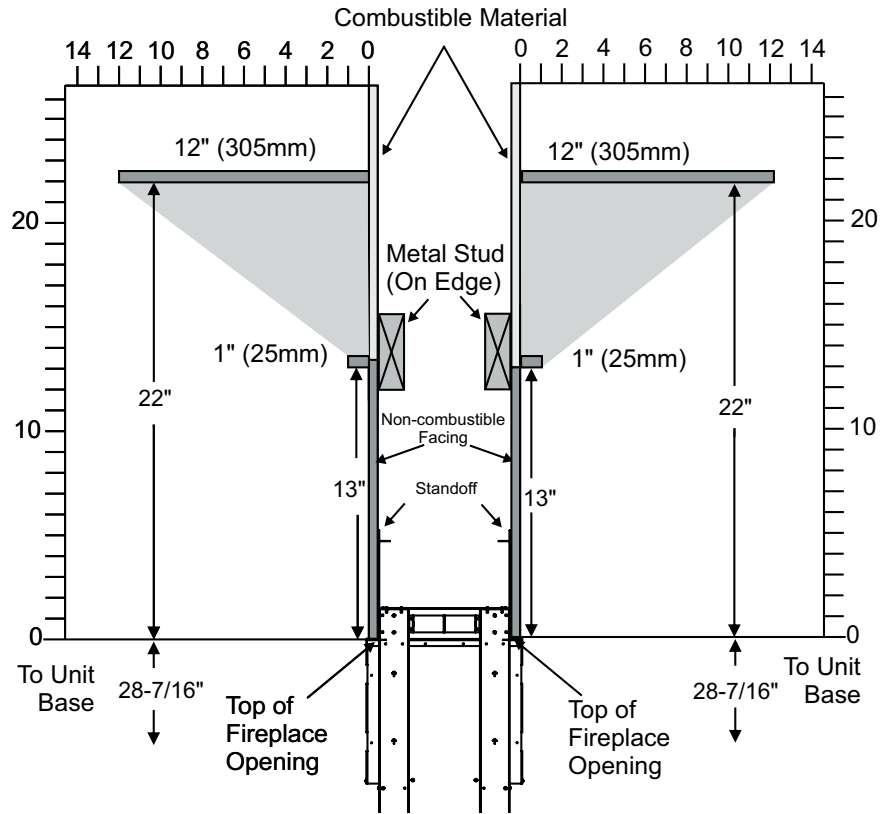


Important Note: Four (4) ventilation grills must be used for all enclosures. See this manual for further details. This is to alleviate moisture and allow for air to circulate. Minimum recommended size: 20" sq. (508 mm²) ea.

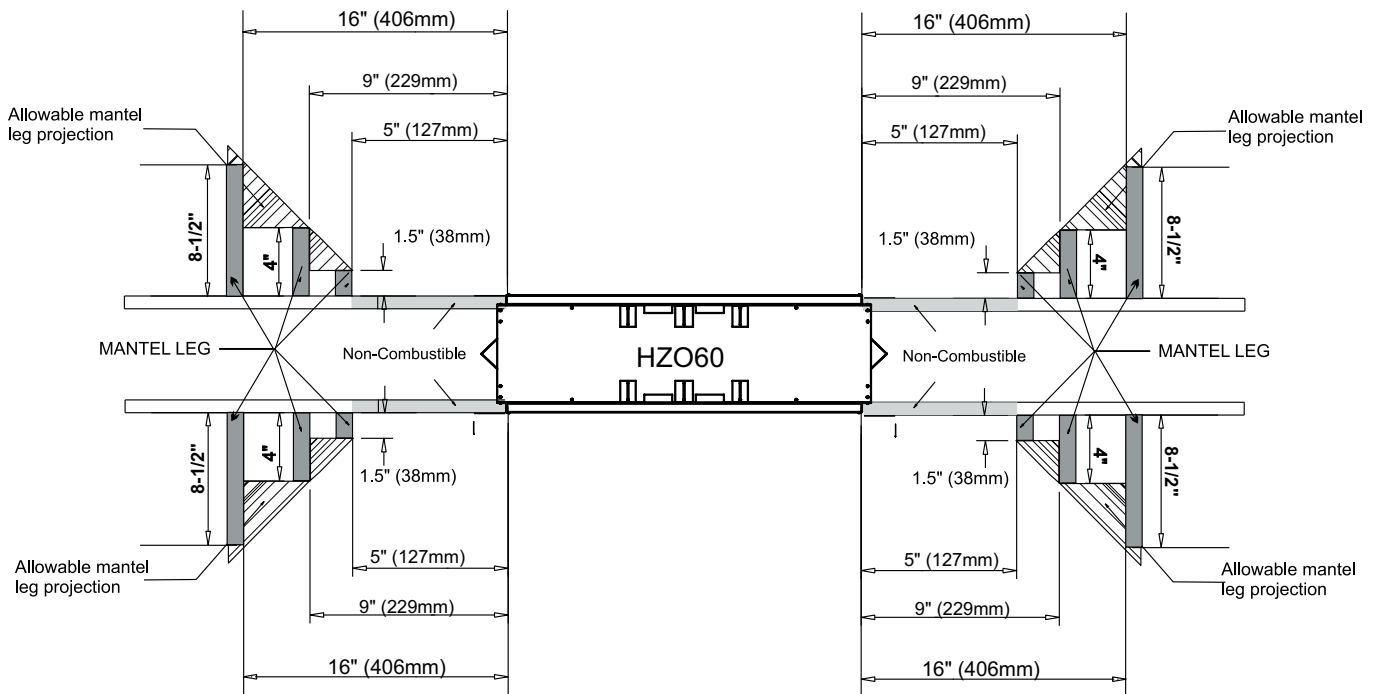
MANTEL CLEARANCES (SINGLE SIDED AND SEE THROUGH)

Due to the extreme heat this fireplace emits, the mantel clearances are critical. Combustible mantel clearances from top of front facing are shown in the diagram on the right.

Note: Ensure the paint that is used on the mantel and the facing is "heat resistant" or the paint may discolour.

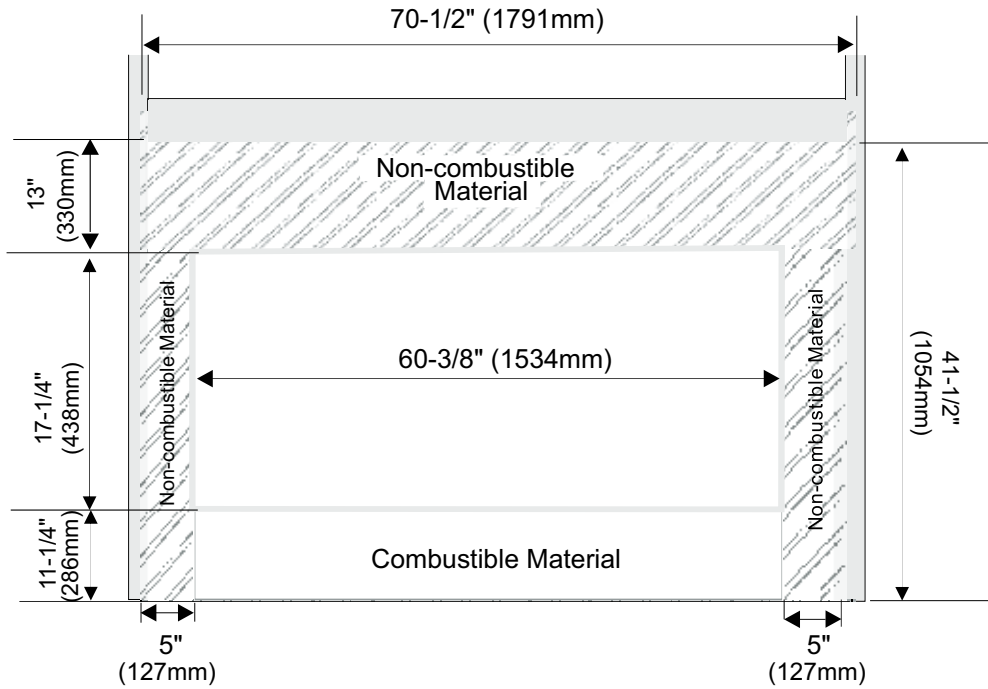


MANTEL LEG CLEARANCES (SINGLE SIDED AND SEE THROUGH)



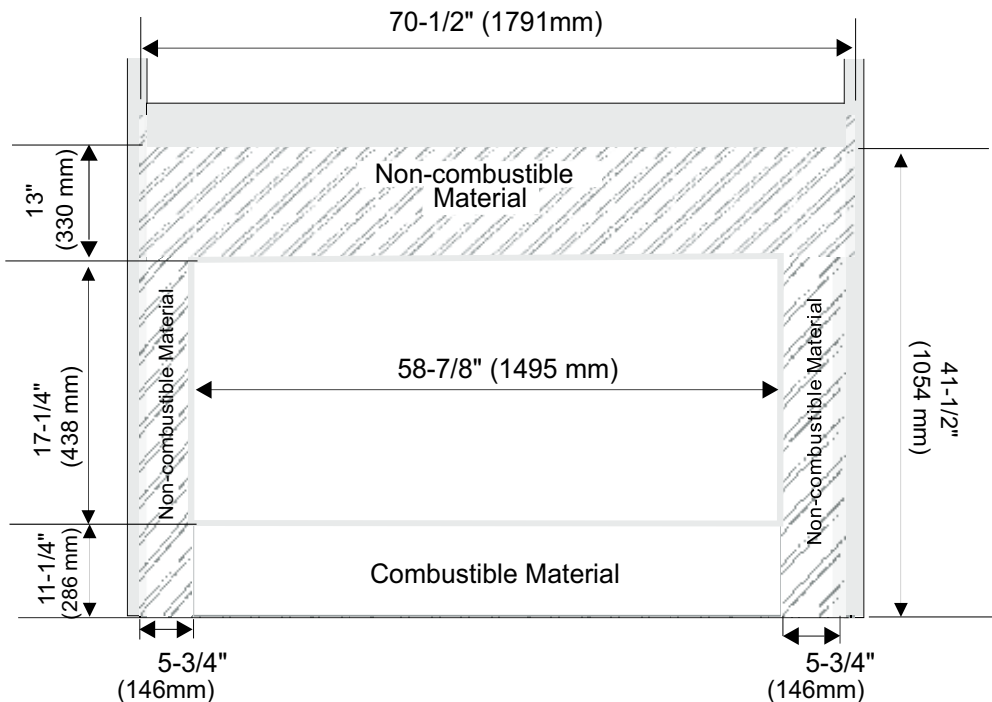
NON-COMBUSTIBLE REQUIREMENTS

When Using Stainless Steel Faceplate



Clean Face Finishing When Not Using Stainless Steel Faceplate

When installing this outdoor fireplace without the use of a faceplate to achieve a clean finish, the four vertical openings (for faceplate installation) at the left and right edges of the firebox will be visible. If desired, it is highly recommended that these be covered and finished with a tile trim or J-trim. Opening height is 17-1/4" (438 mm) and width is 58-7/8" (1535 mm). If this option is chosen, the faceplate cannot be used. See diagram 1 on next page showing the 4 vertical openings.



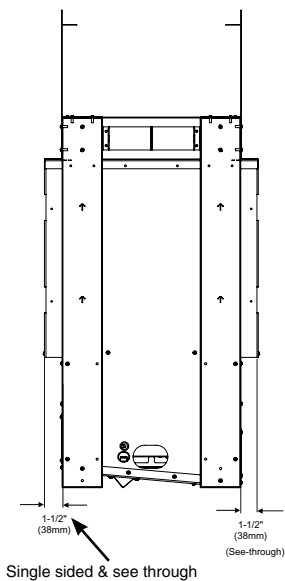
FRAMING & FINISHING

1. Frame in the enclosure for the unit with framing material.

IMPORTANT: The header and vertical studs must be metal.

Note: When constructing the framed opening, please ensure there is access to install the gas lines when the unit is installed.

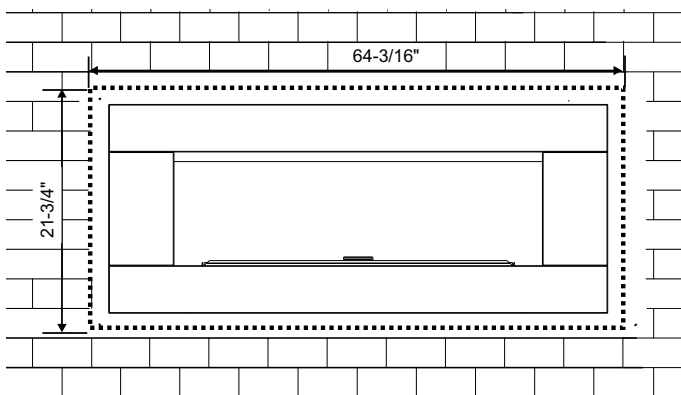
2. The unit does not have to be completely enclosed in a chase. You must maintain clearances from the vent to combustible materials: See "Clearances" section. Combustible materials can be laid against the side and back standoffs and the stove base.
3. Non-combustible material (ie. tile, slate, etc) may be brought up to and overlap the unit (top and bottom) ensuring that the maximum thickness does not go beyond the 1-1/2" as shown in the diagram below. The faceplate will not be able to be mounted if the finished material is beyond 1-1/2". See Step 4 if facing/finishing materials will be more than 1-1/2".



Note:

Depending on the material used for finishing, the nailing strips must be set accordingly so that the finished material is always at the 1-1/2" edge of the flange.

4. If material such as brick, stone, etc. extends past the faceplate depth, when finishing around the faceplate, the minimum opening dimensions noted below must be adhered to ensuring for the removal of the faceplate and for the safe operation of this appliance.



Finished Material	Nailing Strip Position	
*1/2"	1"	
*1"	1/2"	
*1-1/2"	0"	

*Add 1/2" when installing as a clean finish with no faceplate.

5. The maximum allowable combined thickness of non combustible material (i.e. durarock, concrete board, etc.) and finishing materials such as brick, stone, etc. cannot exceed 5" (127 mm).

When not using stainless steel faceplate (clean finish)

6. When installing this outdoor fireplace without the use of a faceplate to achieve a clean finish, the four vertical openings (for faceplate installation) at the left and right edges of the firebox will be visible. See diagram 1 below. If desired, it is highly recommended that these be covered and finished with a tile, trim, or J-trim to hide the edges which will be exposed. See previous page for dimensions.

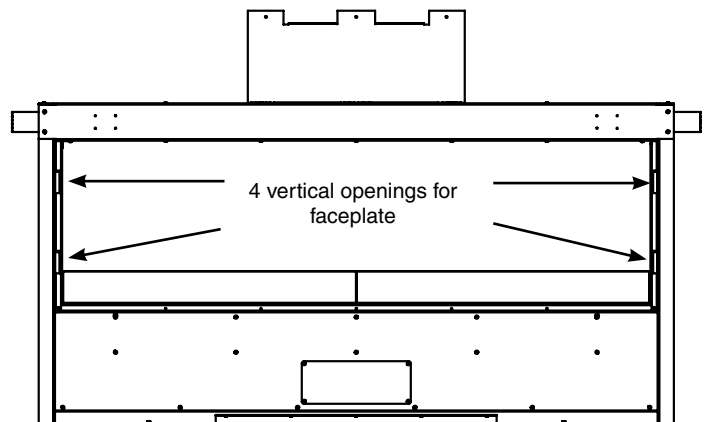


Diagram 1

HZO60-NG11 SYSTEM DATA	
Max. Supply Pressure	14" WC (3.49 kpa)
Min. Supply Pressure	5" WC (1.25 kpa)
Manifold Pressure	3.5" WC (0.87 kpa)
Manifold Pressure-Low	1.6" WC (0.40 kpa)
Orifice Size	#11 DMS
Minimum Input	42,000 Btu/h (12.31 kW)
Maximum Input	64,000 Btu/h (18.76 kW)

HZO60-LP11 SYSTEM DATA	
Max. Supply Pressure	14" WC (3.49 kpa)
Min. Supply Pressure	11" WC (2.73 kpa)
Manifold Pressure	10" WC (2.49 kpa)
Manifold Pressure-Low	6.4" WC (1.59 kpa)
Orifice Size	#42 DMS
Minimum Input	49,000 Btu/h (14.36 kW)
Maximum Input	62,000 Btu/h (18.17 kW)

HIGH ELEVATION

This unit is approved for altitude 0 to 4500 ft. (CAN1 2.17-M91).

GAS LINE INSTALLATION

Since some municipalities have additional local codes it is always best to consult with your local authorities and the CAN/CGA B149 installation code.

For USA installations follow local codes and/or the current National Fuel Gas Code, ANSI Z223.1.

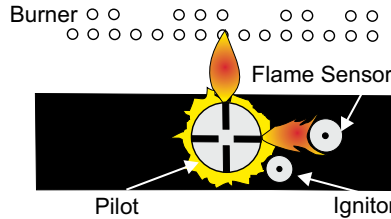
When using copper or flex connectors use only approved fittings. Always provide a union so that gas lines can be easily disconnected for servicing. Flare nuts for copper lines and flex connectors are usually considered to meet this requirement.

NOTE: A shutoff / dante valve should be supplied in or near the unit (or as per local codes) for ease of servicing this appliance.

IMPORTANT: Always check for gas leaks with a soap and water solution or gas leak detector. Do not use open flame for leak testing.

PILOT ADJUSTMENT

Periodically check the pilot flames. Correct flame pattern has two strong blue flames: 1 flowing around the flame sensor and 1 flowing across the burner (it does not have to be touching the burner).



Note: If you have an incorrect flame pattern, contact your Regency® dealer for further instructions.

Incorrect flame pattern will have small, probably yellow flames, not coming into proper contact with the rear burner or flame sensor.



GAS PIPE PRESSURE TESTING

The appliance must be isolated from the gas supply piping system by closing its individual manual shut-off valve during any pressure testing of the gas supply piping system at test pressures equal to or less than 1/2 psig. (3.45 kPa). Disconnect piping from valve at pressures over 1/2 psig.

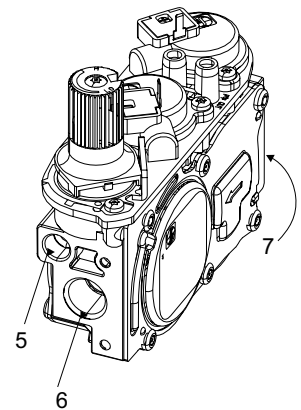
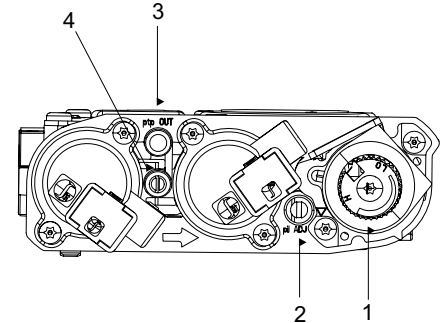
The manifold pressure is controlled by a regulator built into the gas control, and should be checked at the pressure test point.

Note: To properly check gas pressure, both inlet and manifold pressures should be checked using the valve pressure ports on the valve.

1. Make sure the valve is in the "OFF" position.
2. Loosen the "IN" and/or "OUT" pressure tap(s), turning counterclockwise with a 1/8" wide flat screwdriver.
3. Attach manometer to "IN" and/or "OUT" pressure tap(s) using a 5/16" ID hose.
4. Light the pilot and turn the valve to "ON" position.
5. The pressure check should be carried out with the unit burning and the setting should be within the limits specified on the safety label.
6. When finished reading manometer, turn off the gas valve, disconnect the hose and tighten the screw (clockwise) with a 1/8" flat screwdriver. **Note: Screw should be snug, but do not over tighten.**

886 S.I.T. VALVE DESCRIPTION

1. Manual high/low adjustment
2. Pilot adjustment
3. Outlet Pressure Tap
4. Inlet Pressure Tap
5. Pilot Outlet
6. Main Gas Outlet
7. Main Gas Inlet



AERATION ADJUSTMENT

The burner aeration is factory set but may need adjusting due to either the local gas supply or altitude. Open the air shutter for a blue flame or close for a more yellow flame.

Minimum Air Shutter Opening:

Fully Closed NG
1/4" LP

Note: Any damage due to carboning resulting from improperly setting the aeration controls is NOT covered under warranty.

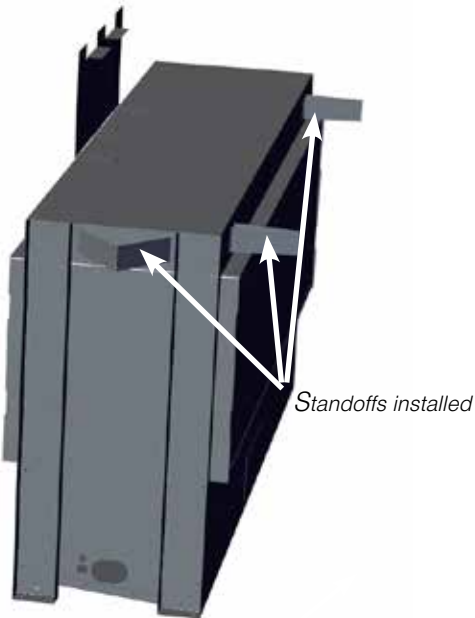
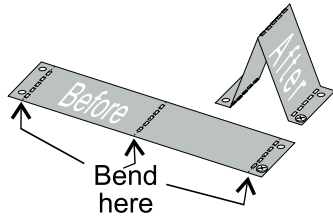
UNIT ASSEMBLY PRIOR TO INSTALLATION

The 4 Standoffs must be correctly positioned and attached before unit is slid into position.

STANDOFF ASSEMBLY

The standoffs are shipped in a flat position and must be folded into shape and attached.

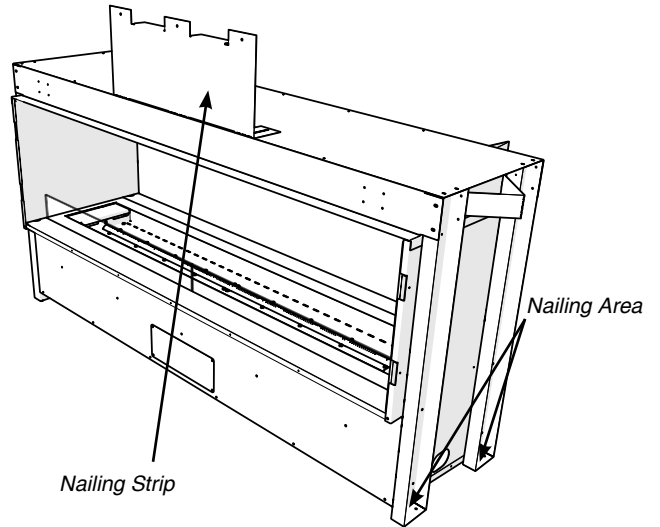
1. Remove the standoffs from the fireplace.
2. Take each standoff and bend into the correct shape. Bend up at the bend lines until the screw holes in the standoff and the pre-punched screw holes on the fireplace top line up.
3. Attach the standoff securely to the unit with 2 screws per standoff (on opposite corners).



NAILING STRIPS

The nailing strips come attached to the unit. There is 1 top plate top that can be folded out as required. There are also 2 holes in each of the side framing ribs that can be used to secure the unit.

Secure the top and side nailing strips to the framing.

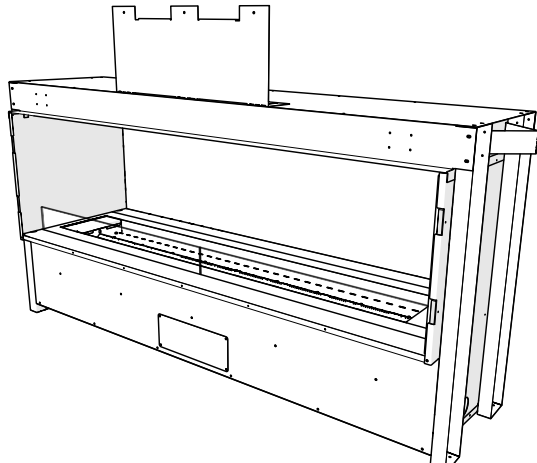


Note:

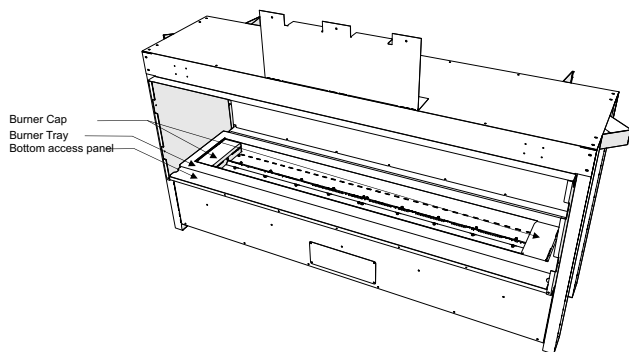
Depending on the material used for finishing, the nailing strips must be set accordingly so that the finished material is always at the 1-1/2" edge of the flange.

CONVERTING THE UNIT FROM SINGLE SIDED TO SEE THROUGH

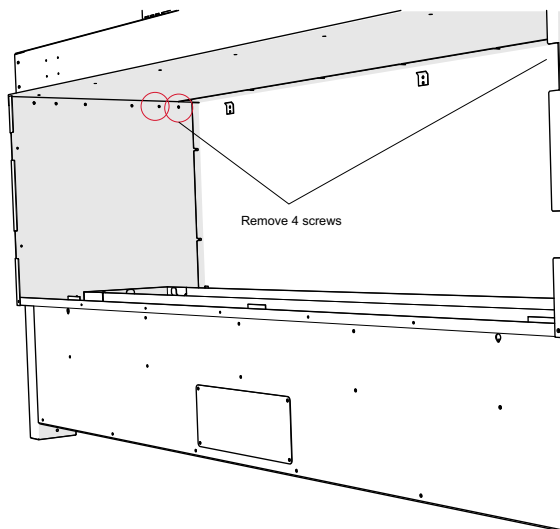
1. If already installed, remove the following: glass windshield, and inner side panels,(see corresponding sections in manual for detailed instructions). Remove the side panel clips and screws also--retain to reinstall panels after removing back firebox panel.



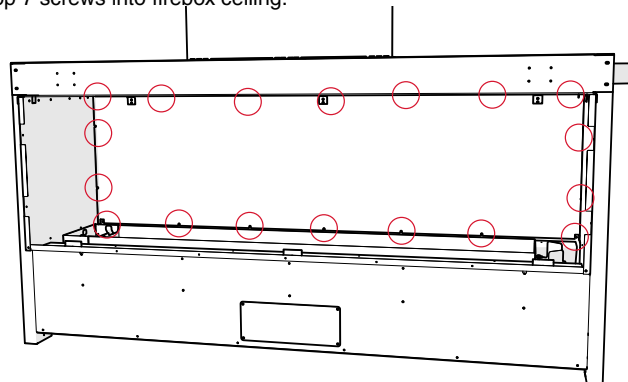
2. Remove the following: bottom access panel , burner tray, and burner end caps by lifting up and out.



3. Remove 2 screws on each side (in locations shown below) retain these screws and replace after back firebox panel is removed.

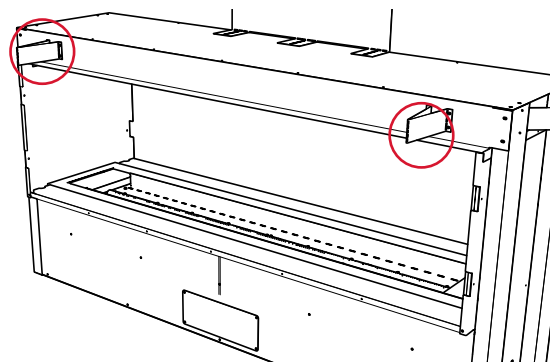


4. From the inside--remove 18 screws (retain top 7 screws) to remove back firebox panel (recycle panel). With screws removed--push back panel in towards the interior of the firebox to remove. After panel is removed, replace top 7 screws into firebox ceiling.

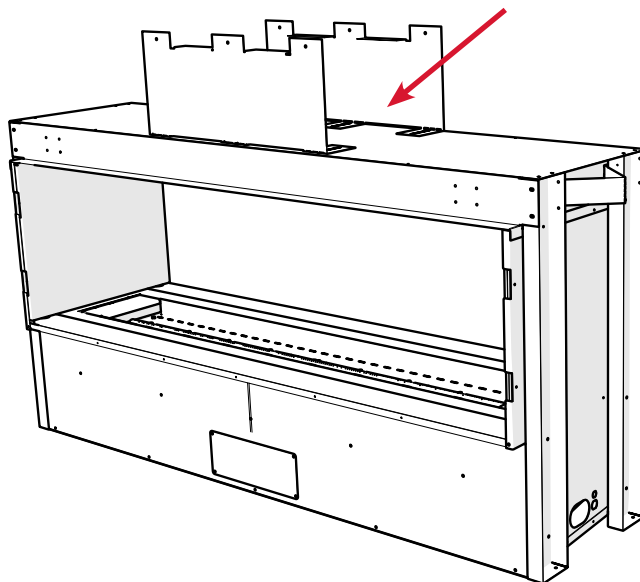


5. Reinstall bottom access panel, burner tray, burner cap and inner panels (side only). Note: Ensure white protective film is removed prior to installing. Remove any fingerprints on any of the stainless steel panels. See details in this manual on handling of stainless steel panels. The rear stainless panel will not be required and may be recycled when configured as a see thru.

6. Remove 2 back standoffs by removing 4 screws on each side--recycle standoffs.



7. Install 2nd supplied nailing strip to unit with 3 screws.



8. Proceed with framing and installation instructions to complete install.

DRAIN INSTALLATION (RECOMMENDED)

Although this fireplace is designed to operate outdoors safely, rain and other sources of moisture may enter the hearth area, which will cause water to collect inside the base of the unit.

To prevent excessive water collection, the installer must provide a way to drain the water from the base of the unit by building or installing a water collector before positioning the fireplace in its location.

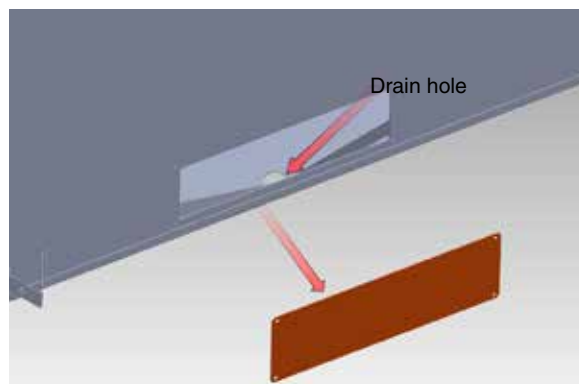
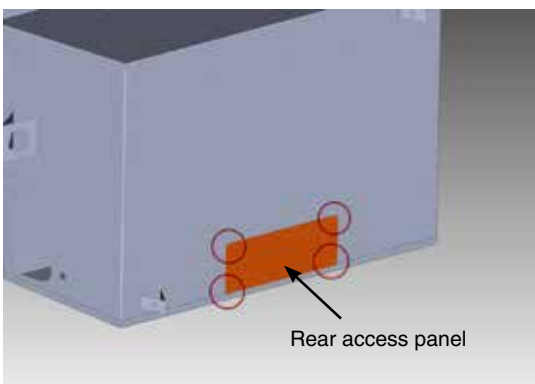
INSTALLATION INSTRUCTIONS

When planning for the installation of the unit, the framing height must be increased by 3/4", when installing a drain pan. Additional space below the unit will also be required to plumb a drain line.

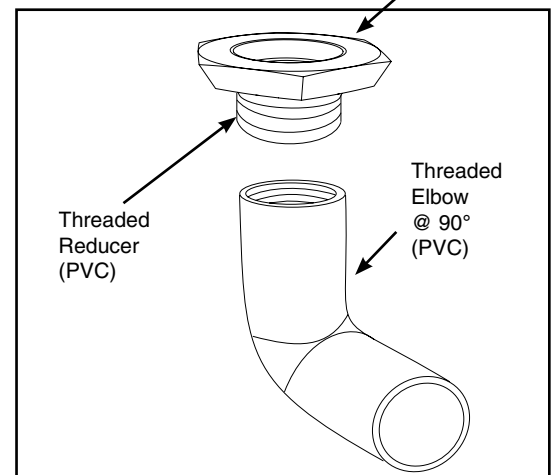
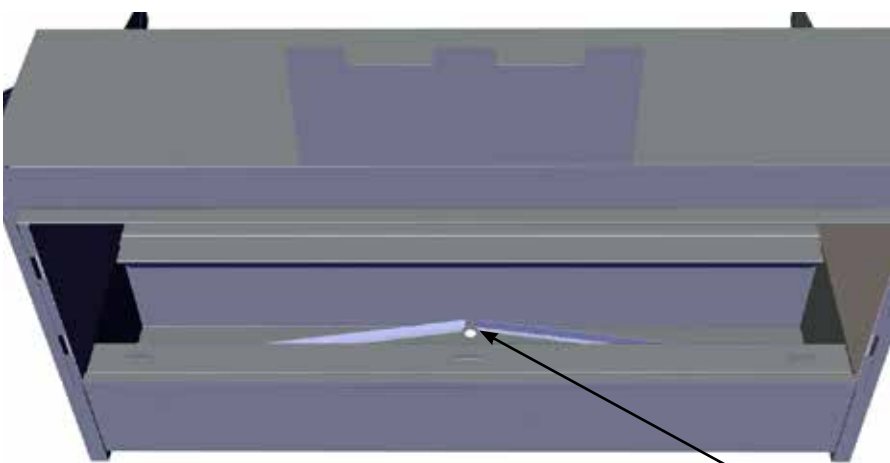
1. Remove 4 screws to remove the rear access panel from the back of the unit - this will allow access to the drain hole at the base of the unit.
2. On the exposed drain hole (see location below), install a PVC 3/4" threaded coupling reducer going from the top of the pan, down through the hole. Apply a silicone-based sealant around the base and threads before installation.
3. Holding the reducer coupling with a wrench, thread a 90° PVC elbow (from the underside of the unit) to the reducer until it is tight to the metal.

Note: To assure proper drainage, that fireplace must be installed on a leveled surface

4. Add additional piping to route the drain to an appropriate location.



Cut notches into the top of the coupling reducer to prevent water pooling.



Reducer and elbow can be purchased from your local hardware store.

HZO60 ENCLOSURE VENT INSTALLATION

Four (4) ventilation grills are required for all enclosures. Two (2) upper and two (2) lower vent grills are included with this appliance. This is to alleviate moisture and allow for air to circulate. Minimum recommended size: 20" sq. (508 mm²) ea.

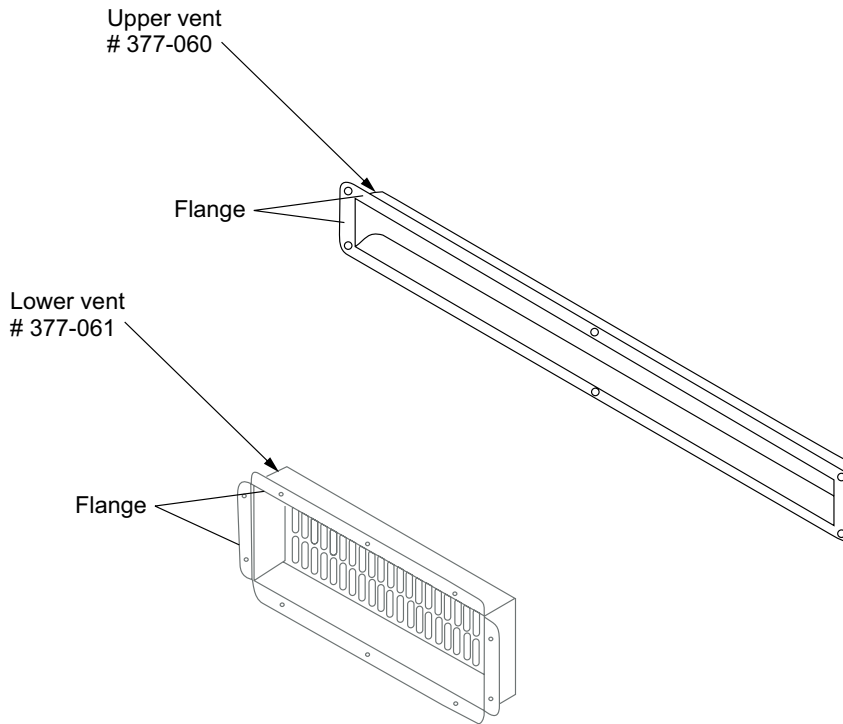
If using the grills offered by Regency, follow the instructions noted below:

Frame the opening for the upper vent (377-060) at 16" x 1-1/4" - secure the upper vent to the framing with 6 screws.

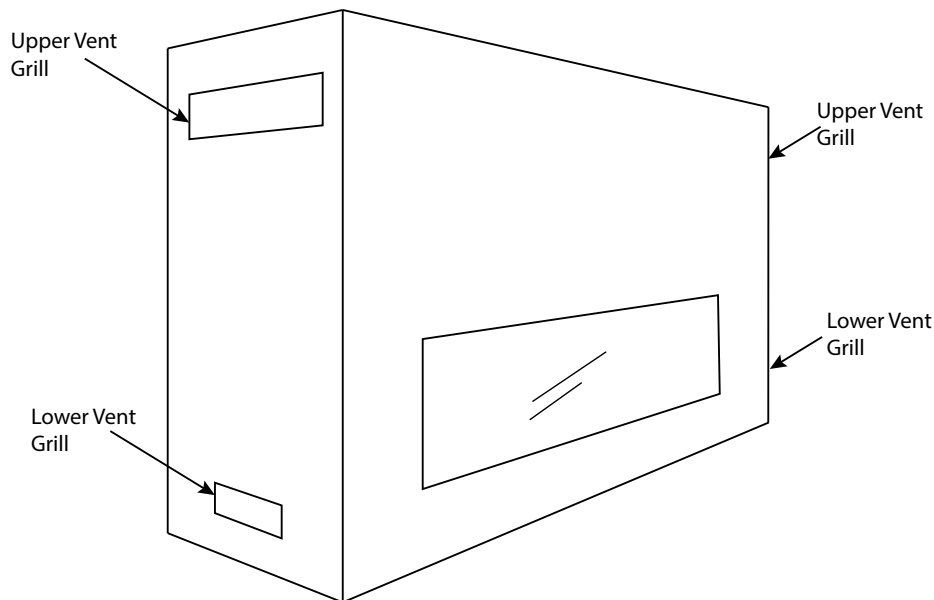
Frame the opening for the lower vent (377-061) at 8" x 2-7/8" - secure the lower vent with 10 screws.

We highly recommend installing these upper and lower grills at either end of the framed structure to allow the air to circulate from one end to the other.

Note: If purchasing grills elsewhere, ensure the minimum recommended size of 20"sq. (508 mm²) each is met.



Note: Finishing material can be brought over the flange of the ventilation grills to ensure a clean look.



WALL SWITCH AND BATTERY INSTALLATION (INCLUDED WITH UNIT)

The unit comes with low voltage wire and a battery extension wire installed.

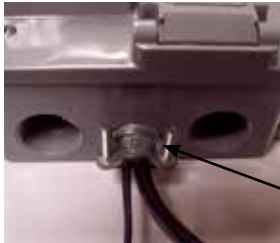
1. Run supplied wire to desired location - to a max. of 9 feet.
2. Install supplied electrical box in desired location.



3. Remove center knock out from electrical box and install strain relief (strain relief nut not required).



Center knock out



Strain Relief

4. Route low voltage wire and battery extension wire through the strain relief.
5. Connect low voltage wire to supplied switch, fasten switch to right side of electrical box (polarity not important).



6. Install supplied 4-AA batteries into the battery holder. Using velcro install battery holder to the backside of the battery compartment door. Connect battery terminal.
7. Using silicone, completely seal strain relief to protect from water or moisture.



8. Place supplied gasket on top of electrical box.
9. Fasten cover to electrical box using supplied screws.
10. Place switch in OFF position until final installation is complete.

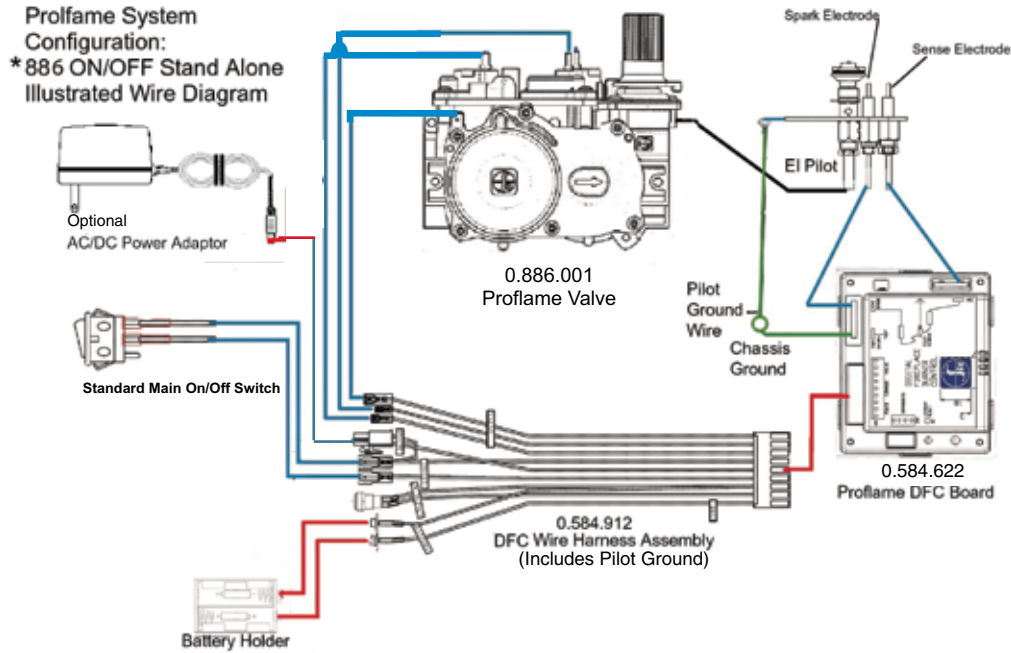


WARNING: Failure to position the parts in accordance with these diagrams or failure to use only parts specifically approved with this appliance may result in property damage or personal injury.

WIRING DIAGRAM

This appliance does not require a 120V A.C. supply for operation.

NOTE: 4 AA batteries must be installed in the battery pack to operate the burner switch. Do not use a 9 volt battery.



CONVERSION FROM NG TO LP

**THIS CONVERSION MUST BE DONE BY A QUALIFIED GAS FITTER
IF IN DOUBT DO NOT DO THIS CONVERSION !!**

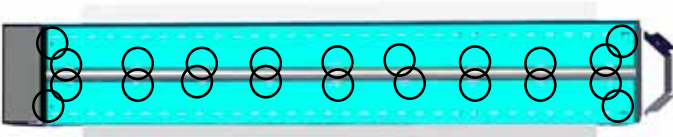
Each Kit #646-969 contains one LP Conversion Kit

Conversion Kit Contains:

Qty.	Part #	Description
1	904-430	Burner Orifice #42
1	904-529	5/32" Allen Key
1	908-528	Red "LP" label
1	911-009	Hi/Lo conversion LP For 886
1	910-101	Pilot Orifice LP
1	918-590	Decal "Converted to LP"
1	919-767	Instruction Sheet

Turn the unit off and allow to cool to room temperature.
Turn off gas supply.

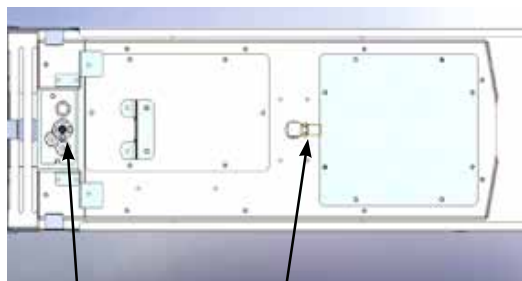
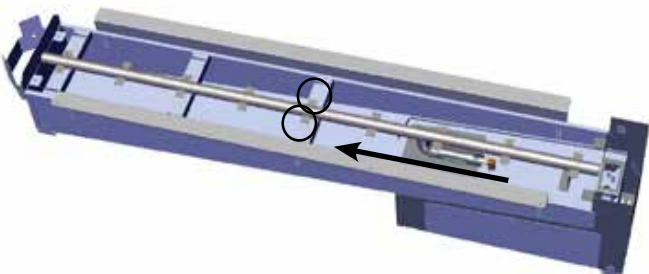
1. Remove glass crystals and log set, if installed.
- 2a. Locate and remove 22 screws to remove the burner tray.



- 2b. Remove 2 screws to remove the burner end (see below).



3. Remove 2 screws and slide burner tube to the left (away from the orifice) to remove.



Pilot Cap

Burner orifice

4. Remove burner orifice with a 1/2" wrench. Use another wrench to hold on to the elbow behind the orifice. Discard orifice. Install new LP #42 burner orifice supplied with kit.



5. Remove the wire clip below the pilot cap.

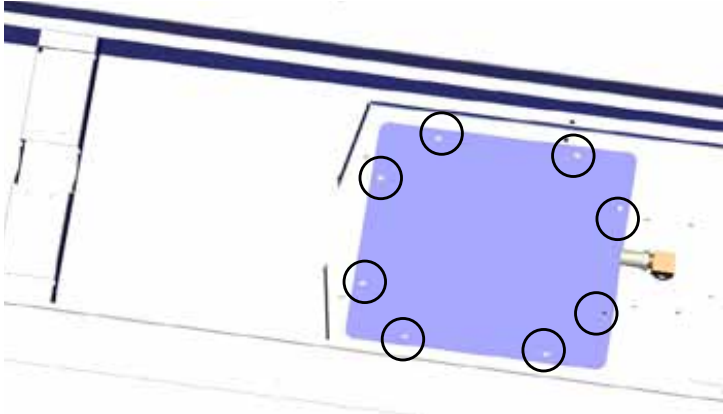


Pilot retainer clip

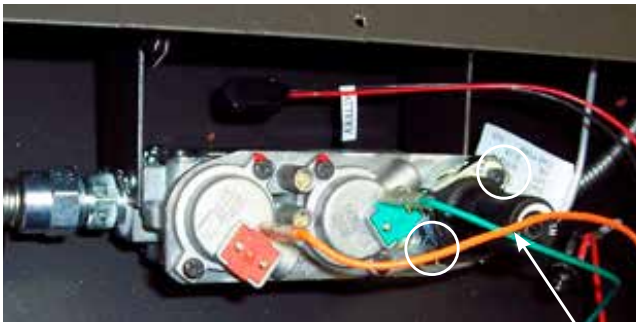
6. Pull off the pilot cap to expose the pilot orifice. Using a 5/32" allen key, remove pilot orifice and replace with LP pilot orifice.



7. Re-install pilot cap.
8. Adjust air shutter to 1/4 inch open by loosening the screw on the air shutter. Retighten screw after adjustment.
9. Remove 8 screws on valve access cover.



10. Remove Hi/Lo pressure regulator by removing 2 screws as shown below. Reverse steps to install LP pressure regulator. (Be sure diaphragm and spring are removed from the original regulator.)



*Hi/LO Pressure
Regulator*

11. Attach the label "This unit has been converted to LP" near or on top of the serial # decal.
12. Replace yellow "NG" label with red "LP" label. Make appropriate gas connections.
13. Reverse Steps 1-6
14. Check all gas connections under normal operating pressure, for leaks, with soapy water.

NOTE: If soap bubbles, this would indicate a gas leak.

15. Check inlet and outlet pressures.
16. Check operation of flame control.

OPTIONAL HARDWIRE KIT INSTALLATION (PART #646-950)

A hard wire kit is available for this unit as an option, to hard wire this appliance, a qualified electrician must remove the cord connection, and wire the appliance directly to the household wiring.

This appliance must be electrically connected and grounded in accordance with local codes, if hard wired.

In the absence of local codes, use the current CSA C22.1 CANADIAN ELECTRICAL CODE in Canada or the current ANSI/NFPA 70 NATIONAL ELECTRICAL CODE in the United States.

WARNING!

- **USE ONLY A GROUND FAULT INTERRUPTER (GFI) PROTECTED CIRCUIT WITH THIS OUTDOOR GAS APPLIANCE .**
- **ENSURE THAT ALL POWER SOURCES HAVE BEEN SHUT OFF PRIOR TO BEGINNING ANY ELECTRICAL WORK.**
- **DO NOT USE THIS APPLIANCE IF ANY PART HAS BEEN UNDER WATER.**
- **CALL A QUALIFIED SERVICE TECHNICIAN IMMEDIATELY TO HAVE THE APPLIANCE INSPECTED FOR DAMAGE TO THE ELECTRICAL CIRCUIT.**
- **RISK OF ELECTRICAL SHOCK OR EXPLOSION. DO NOT WIRE 110V TO THE VALVE OR TO THE APPLIANCE WALL SWITCH.**
- **INCORRECT WIRING WILL DAMAGE CONTROLS AND IS NOT COVERED BY THE WARRANTY.**
- **ALL WIRING SHOULD BE DONE BY A QUALIFIED ELECTRICIAN AND SHALL BE IN COMPLIANCE WITH LOCAL CODES. IN THE ABSENCE OF LOCAL CODES, USE THE CURRENT CSA22.1 CANADIAN ELECTRIC CODE IN CANADA OR THE CURRENT NATIONAL ELECTRIC CODE ANSI / NFPA NO. 70 IN THE UNITED STATES.**

Important : This electrical box must be located within 10 feet of the burner(s) as the AC adaptor is 10 feet long and will not reach the DC supply wire connection if any farther.

Note (PTO30/PTO50 only): If 2 burners are used, an additional AC adaptor will be required to power the second burner.

The 4 AA batteries do not need to be installed if using the AC adaptor. The batteries would only be required in the event that 120V power is lost.

3. Install 4 screws into existing holes in the interior if using the optional framing kit in locations shown in the diagram below. Keep screws loose--do not tighten.

NOTE: If the optional framing is not used the outer box can be installed into conventional framing. See Step 14.

SHUT OFF GAS AND ELECTRICAL SUPPLY BEFORE STARTING THIS INSTALLATION.

1. Install electrical box into the outer box with 4 screws (Diagram 1).
2. Depending on which side (or conduit size) the electrical outlet will be installed, remove the corresponding knockouts in the outer box and electrical box to allow access for the conduit wiring (supplied by others) (Diagram 1).

ALL WIRING SHOULD BE DONE BY A QUALIFIED ELECTRICIAN

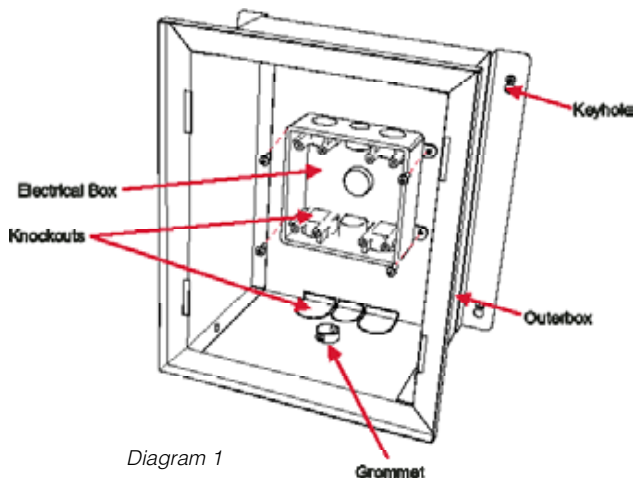
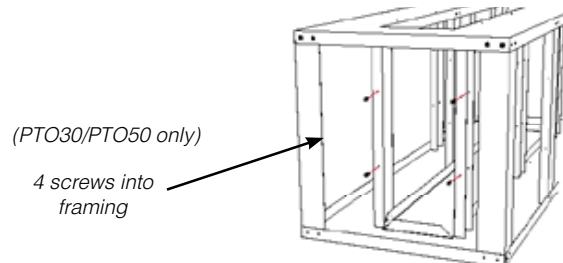


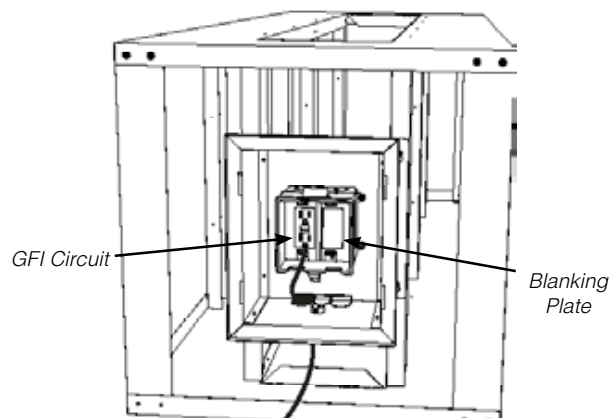
Diagram 1

Install electrical box into the outer box with 4 screws.



In the diagram below the outer box is installed. To install the outer box, line up the keyholes on the box with corresponding screws (installed in previous step) on the framing kit. When the box is in position, tighten the screws. (PTO30/PTO50 only).

4. Run the conduit to the electrical box through the knockout and complete the wiring of the electrical to the GFI circuit supplied with the kit. Once electrical wiring is complete, Secure both the GFI circuit and white blanking plate to the electrical box using 2 screws each.



5. Plug in the supplied AC adaptor and run the wire through the bottom of the outer box, be sure to use a grommet to protect the wire.

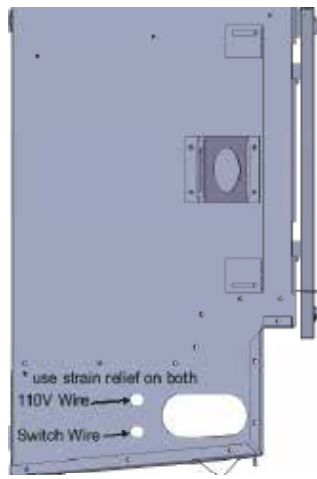


6. Run the AC adaptor wire from the recently installed electrical box, to the back of the unit end.

7. Attach the AC adaptor to the DC supply wire. Secure wire using a strain relief (see enclosed picture). Reinstall the valve cover plate (reverse Step 6).



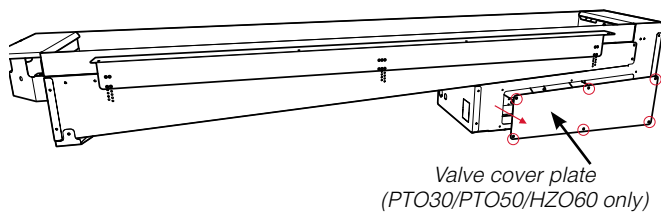
PTO30/PTO50/HZO60



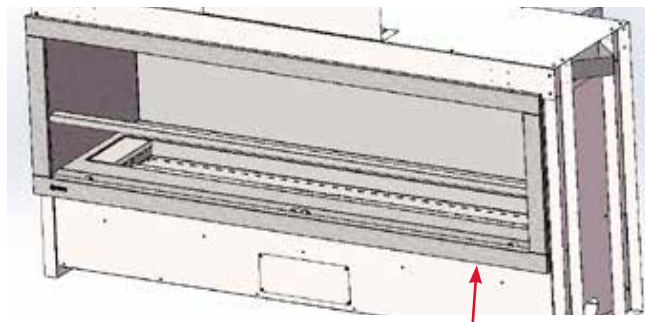
HZO42

8. Remove the valve cover plate on side of unit to expose the DC supply wire by removing 6 screws (PTO30/PTO50/HZO60 only)

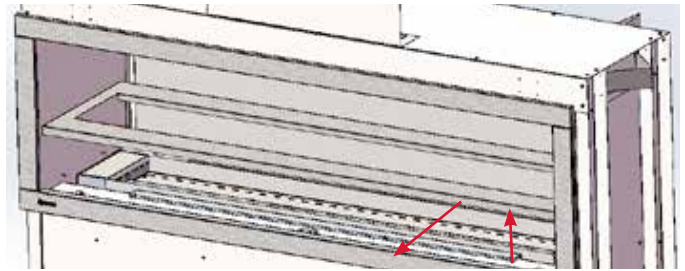
NOTE: The valve cover plate should be removed prior to being installed into the framing kit or framing in general for ease of access to these 6 screws. This would also apply when reinstalling the valve cover plate.



9. HZO42/HZO60 only - Note: Remove glass windshield(s) if installed - Remove the front access panel by lifting up and out.



10. HZO42/HZO60--Remove the burner tray by lifting up and out.

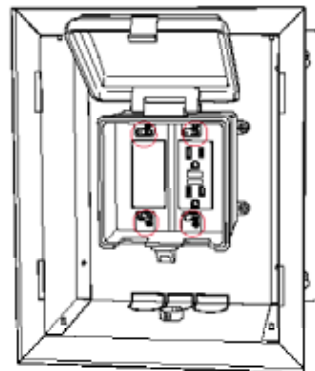


- HZO42 only- remove 6 screws in locations shown below to access DC supply.



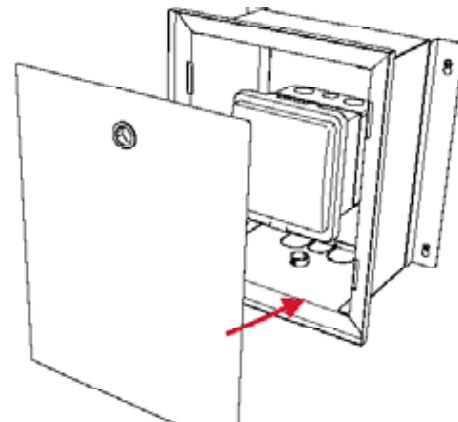
11. Locate the 'DC supply' wire on the wiring harness, the wire will be clearly marked 'DC supply'. See 'AC Adaptor Install' in the manual.

12. Secure protective cover with lid to the receptacle box with 4 screws.



Protective cover with lid

13. Install cover onto outer box.

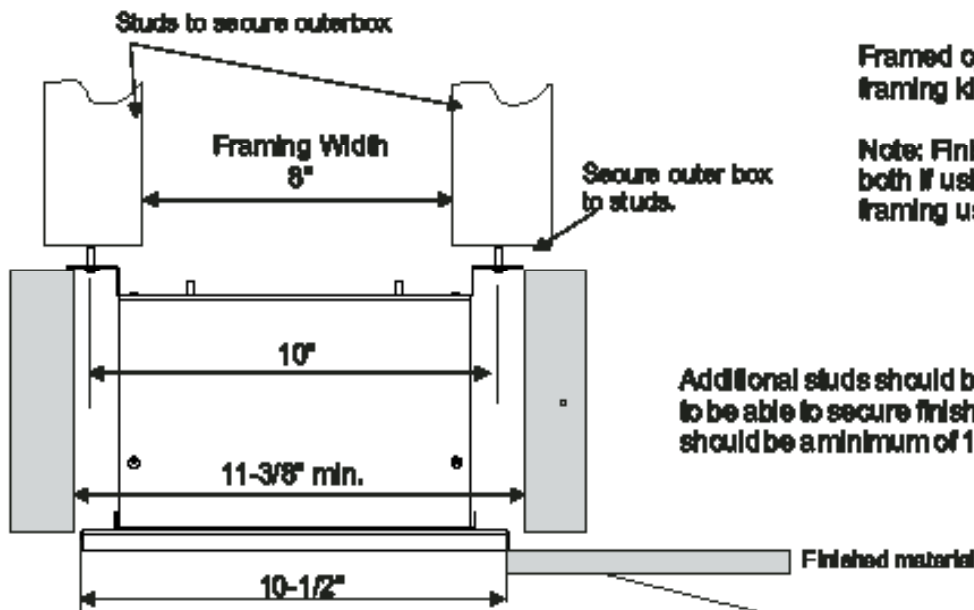


14. Turn on gas and electrical supply and test unit.

15. PTO100 Only:

If a second AC adaptor is required to power a second burner, repeat steps 5-9.

16. Installing the outer box into conventional framing:



Framed opening, if not using steel stud framing kit.

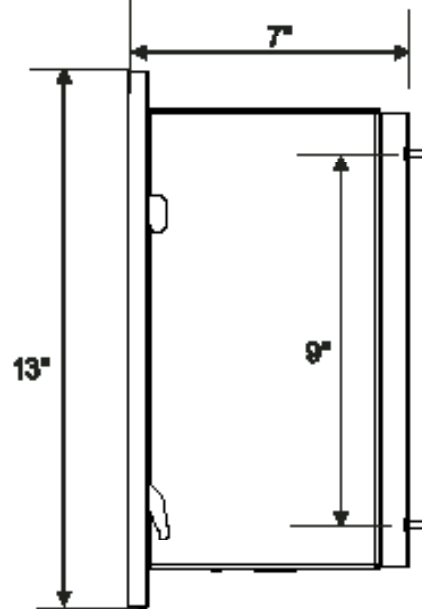
Note: Finished materials would apply to both if using the steel stud kit or framing using other materials.

Additional studs should be placed anywhere in this area to be able to secure finished materials. Framed opening should be a minimum of 11 3/8".

Top View



Front View



Side View

The front outer cover may also be covered with finishing materials if desired. Ensure that the outer cover when using finished materials, that it may be removed if access is ever required to the GFI circuit.

WARNING: Failure to position the parts in accordance with these diagrams or failure to use only parts specifically approved with this appliance may result in property damage or personal injury.

AC ADAPTOR INSTALLATION

A hard wire kit is available for this unit as an option (see hard wire kit instructions), to hard wire this appliance, a qualified electrician must remove the cord connection, and wire the appliance directly to the household wiring. This appliance must be electrically connected and grounded in accordance with local codes, if hard wired. In the absence of local codes, use the current CSA C22.1 CANADIAN ELECTRICAL CODE in Canada or the current ANSI/NFPA 70 NATIONAL ELECTRICAL CODE in the United States.

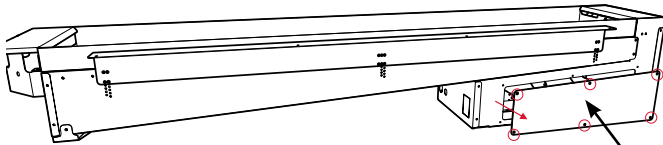
WARNING!

- USE ONLY A GROUND FAULT INTERRUPTER (GFI) PROTECTED CIRCUIT WITH THIS OUTDOOR GAS APPLIANCE .
- ENSURE THAT ALL POWER SOURCES HAVE BEEN SHUT OFF PRIOR TO BEGINNING ANY ELECTRICAL WORK.
- DO NOT USE THIS APPLIANCE IF ANY PART HAS BEEN UNDER WATER.
- CALL A QUALIFIED SERVICE TECHNICIAN IMMEDIATELY TO HAVE THE APPLIANCE INSPECTED FOR DAMAGE TO THE ELECTRICAL CIRCUIT.
- RISK OF ELECTRICAL SHOCK OR EXPLOSION. DO NOT WIRE 110V TO THE VALVE OR TO THE APPLIANCE WALL SWITCH.
- INCORRECT WIRING WILL DAMAGE CONTROLS AND IS NOT COVERED BY THE WARRANTY.
- ALL WIRING SHOULD BE DONE BY A QUALIFIED ELECTRICIAN AND SHALL BE IN COMPLIANCE WITH LOCAL CODES. IN THE ABSENCE OF LOCAL CODES, USE THE CURRENT CSA22.1 CANADIAN ELECTRIC CODE IN CANADA OR THE CURRENT NATIONAL ELECTRIC CODE ANSI / NFPA NO. 70 IN THE UNITED STATES.

Important: Electrical box must be located within 10 feet of the burner(s) as the AC adaptor is 10 feet long and will not reach the DC supply wire connection if any farther.

The 4 AA batteries do not need to be installed if using the AC adaptor. The batteries would only be required in the event that 120V power is lost.

1. Remove the valve cover plate on side of unit to expose the DC supply wire by removing 6 screws
2. Locate the 'DC supply' wire on the wiring harness, the wire will be clearly marked.
3. Run the AC adaptor wire from the recently installed electrical box, to the back of the unit end, connect the AC Adaptor with the DC supply wire in the previous step.
4. Attach the AC adaptor to the DC supply wire. Secure wire using a strain relief (see enclosed picture) Reinstall the valve cover plate (reverse Step 2).
5. Plug the AC adaptor into a grounded fault interrupter (GFI) protected circuit.
6. Turn on gas and electrical supply and test unit.



Valve cover plate



AC adaptor

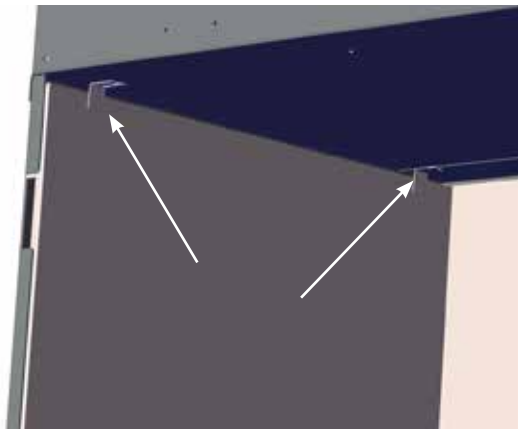
DC supply wire from wiring harness

INNER PANEL REMOVAL / INSTALLATION

Before installation, panels must be handled and cleaned as per instructions noted below:
Stainless Steel Panels
<ul style="list-style-type: none"> Stainless panels must be inspected for scratches and dimples prior to installation. All claims to be recorded at this time. Claims for damage after installation will not receive consideration.
<ul style="list-style-type: none"> To protect the finish during installation and handling - cotton gloves MUST be worn at all times while handling the panels (even when removing protective coating).
<ul style="list-style-type: none"> Use a hair dryer or similar device to remove the protective coating from the panels.
<ul style="list-style-type: none"> Stainless panels will discolor a little during normal operation. This is normal and should not be considered a defect.
<p>* All hand and finger marks MUST be cleaned off with a soft cloth and a stainless steel cleaner. Most stainless steel cleaners leave a film/residue on the surface of the panels. Use an ammonia based cleaner (ie. glass cleaner) to remove this film before applying heat to the unit. Failure to do this will result in burn stains on panels which you will be unable to remove. Not protected by product warranty.</p>

Note: Ensure white protective film is removed on stainless steel panels. To remove panels follow steps below.

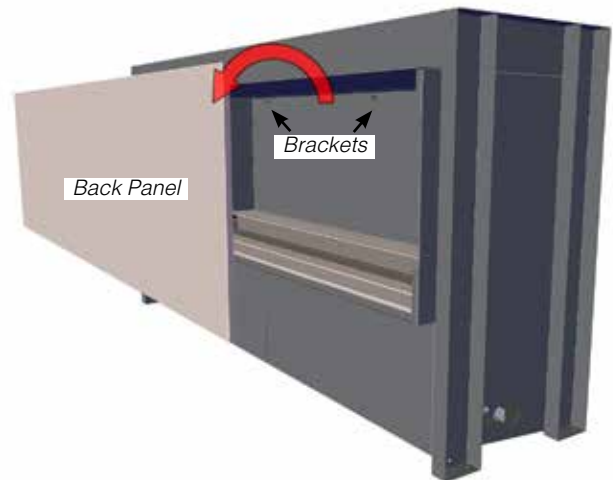
1. If already installed, remove glass windshields and faceplate (see sections in this manual for specific instructions).
2. Remove 2 screws to remove both clips securing side panel.



3. Pop side panel out toward the burner and manoeuvre out of firebox.
4. Repeat on other side to remove opposite panel.



5. Single sided unit only--Lift back panel up off brackets on back wall and manoeuvre back panel out of firebox.



6. Remove burner tray cover/surround and cover plate. (Not shown)
7. Remove white protective film from stainless steel panels. Reverse steps to reinstall panels into unit.
8. Clean all stainless steel panels as per instructions above.

GLASS CRYSTAL / BASALT VOLCANIC STONES INSTALLATION

Evenly spread the Glass Crystals/Firebeads and optional Basalt Volcanic Stones over the burner. Ensure the crystals/beads (or stones) do not overlap too much as this will effect the flame pattern.

IMPORTANT NOTE:

Only the supplied approved Glass Crystals/Firebeads and Basalt Volcanic stones are to be used with these fireplaces. Use of any other type of glass crystals, beads, or stones can alter the unit's performance, any damage caused by the use of any unapproved glass or stones will not be covered under warranty.

When using Basalt Volcanic Stones DO NOT cover pilot light that lead to pilot flame.

Do not add Basalt Volcanic Stones when using driftwood log set.

BURNER PACKAGES		
Unit	Glass Crystals/Firebeads	*Glass Crystals/Firebeads + Volcanic stones ¹
HZO60	15lbs	10lbs glass/beads + 2 boxes stones- recommended

NOTE: * Glass Crystals/Firebeads are available in 5lb bags.
¹ Glass Crystals/Firebeads to be installed on the burner prior to installing stones.
 Basalt Volcanic Stones are measured by weight not quantity. Each bag contains 15 lbs of stones, however the exact quantity and size vary. Sizes vary between 2" - 3"



1. Start pouring Crystals/Firebeads on one end of the burner.

2. Work Crystals/Firebeads to other end of the Burner. Base and burner tube should not be visible when crystals are spread out.



3. Work Crystals/Firebeads downwards to front edge of top edge of burner.

4. Basalt Volcanic Stones shown spread evenly over the burner and crystal base.

5. Ensure Crystals/Firebeads do not block the front of the pilot hood and flame to light the burner.

NOTE: Correct final glass installation of Crystals/Firebeads as shown in step 2 and 3. The Burner should not be visible when the flame is out.

NOTE: Basalt Volcanic Stones are **NOT** to be placed anywhere on the Pilot assembly area. Glass Crystals/Firebeads to be installed on the burner prior to installing stones.

OPTIONAL LOG SET INSTALLATION (PART #326-930 X 2 SETS)

Read the instructions below carefully and refer to the images. If any of the Logs/Twigs are broken, do not use the unit until they are replaced.

Broken Logs/Twigs can interfere with pilot operation.

Install 15lbs of glass crystals or firebeads on the burner (follow glass crystal or firebead instruction sheet) before installing logs.

Improper positioning of the Logs/Twigs may create carbon build-up and can alter the unit's performance which is not covered under warranty.

The HZO60 uses 2 Log/Twig Sets (#326-930), both contain the following pieces:

Description

- Log/Twig A
- Log/Twig B
- Log/Twig C
- Log/Twig D
- Log/Twig E
- Log/Twig F

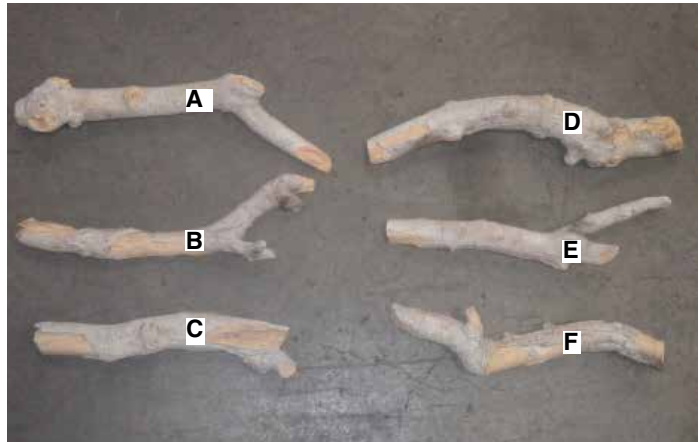


Diagram 1

Two identical log sets are installed on the right and left sides of the burner and mirror one another. After installing each Log on one side of the burner—install the duplicate Log from the second set to mirror its mate.

1. Install Log/Twig A on the right side of the burner, orient the Log/Twig in the same way and in a similar location on the right side of the burner as shown in Diagram 2.



Diagram 2

2. Install Log/Twig A on the left side of the burner, orient the Log/Twig on the left side of the burner to mirror Log A on the right—as shown in Diagram 3.



Diagram 3

3. Install Log/Twig D on the left side of the burner, orient Log/Twig D across Log/Twig A in the same way and in a similar position as shown in Diagram 4.



Diagram 4

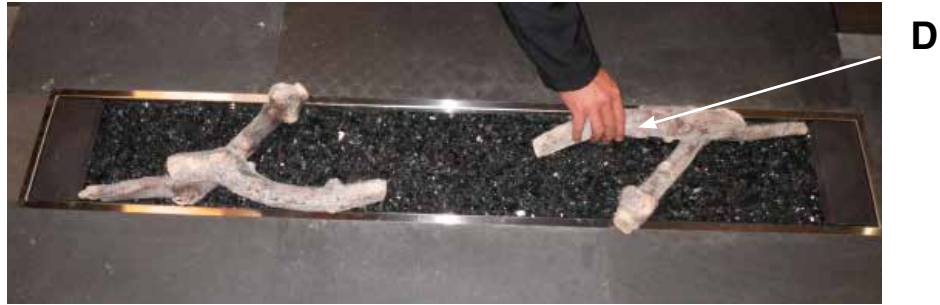


Diagram 5

Install Log/Twig E on the left side of the burner, orient Log/Twig E across Log/Twig D in the same way and in a similar position as shown in Diagram 6.



Diagram 6

Install the opposite Log/Twig E orient Log/Twig E across Log/Twig D in the same way and similar position as shown in Diagram 7. (Mirrors Log E from previous step).



Diagram 7

Install Log/Twig B on the left side, orient Log/Twig B in the same way and in a similar position as shown in Diagram 8.



Diagram 8

8. Install the opposite Log/Twig B on the right side of the burner, orient Log/Twig B in the same way and in a similar position as shown in Diagram 9 (mirror Log B as installed on the left side).



Diagram 9

9. Install Log/Twig C on the left side of the burner, orient Log/Twig C in the same way and in a similar position as shown in Diagram 10

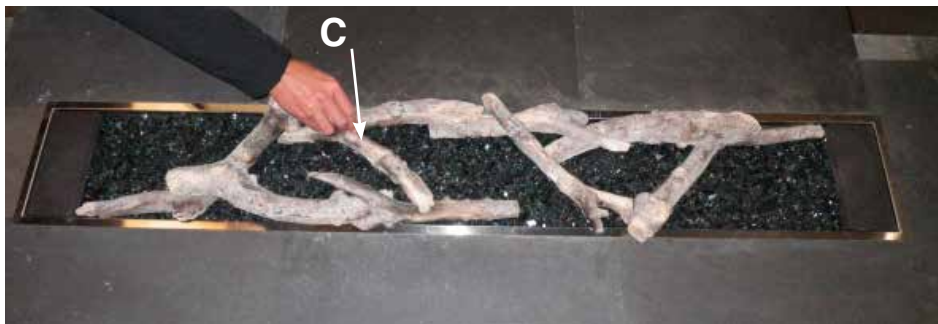


Diagram 10

10. Install the opposite Log/Twig C on the right side of the burner, orient Log/Twig C in the same way and in a similar position as shown in Diagram 11 (mirror Log C as installed on the left side).

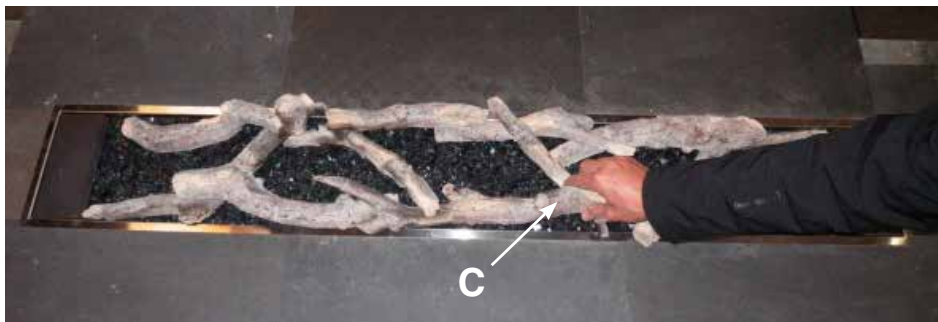


Diagram 11

11. Install Log/Twig F on the left side of the burner, orient Log/Twig F in the same way and in a similar position as shown in Diagram 12.



Diagram 12

12. Install the opposite Log/Twig F on the right side of the burner, orient Log/Twig F in the same way and in a similar position as shown in Diagram 13 (mirror Log F as installed on the left side).



Diagram 13

13. Completed install shown below.



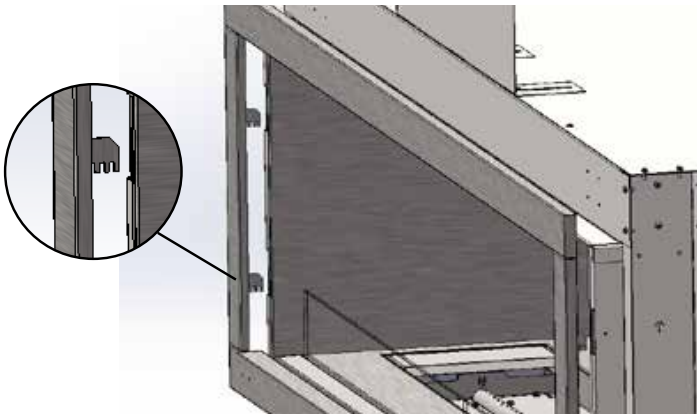
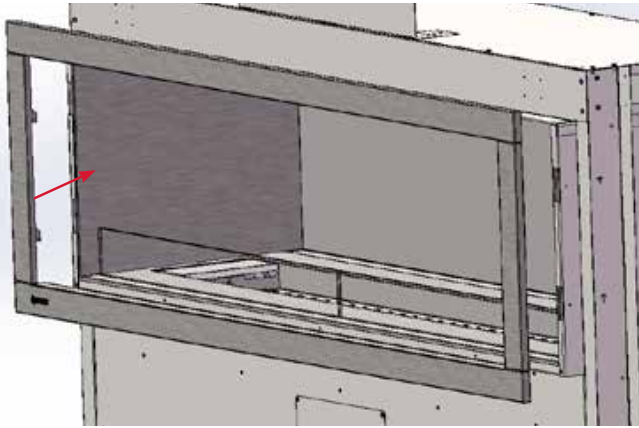
Diagram 14

WARNING: Failure to position the parts in accordance with these diagrams or failure to use only parts specifically approved with this appliance may result in property damage or personal injury.

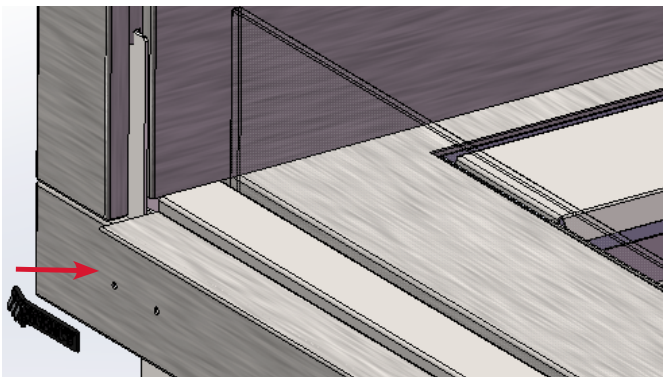
OPTIONAL FACEPLATE INSTALLATION (PART #646-910)

Remove the protective coating from the faceplate before installation - see handling instructions in panel install section.

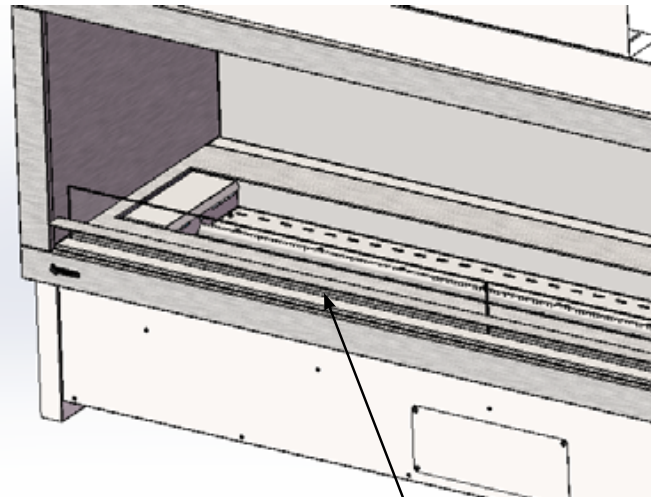
- 1) To install the faceplate - line up the tabs on the faceplate with the 'C' shaped openings on the left and right sides of the unit. There are 3 slots on each tab so the faceplate to accommodate different finishing materials.



- 2) Install logo onto faceplate.

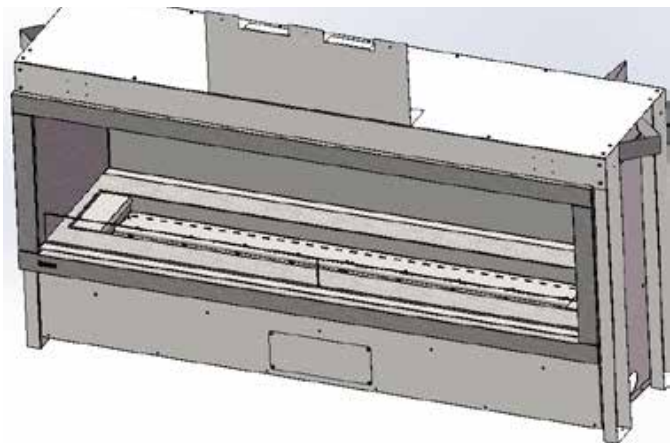


- 3) For installations where thicker finishing material is used - the optional trim piece may be installed to fill the gap. Install the trim between the bottom access panel and the faceplate as shown below.



Trim Piece

- 4) To remove - reverse steps.



Final Install

OPTIONAL LEAF / BURNER COVER INSTALLATION (PART #646-934)

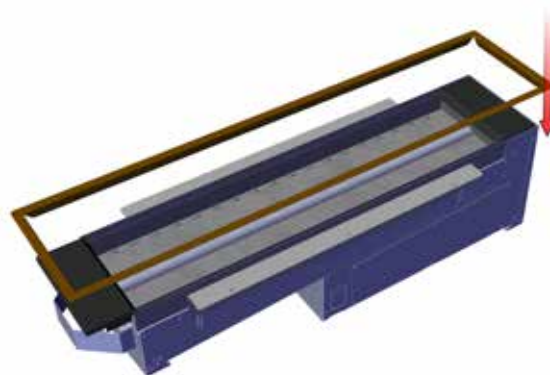
Place the leaf/burner cover over the burner as shown below.

IMPORTANT : The leaf/burner cover must always be removed and put to the side when the appliance is used.



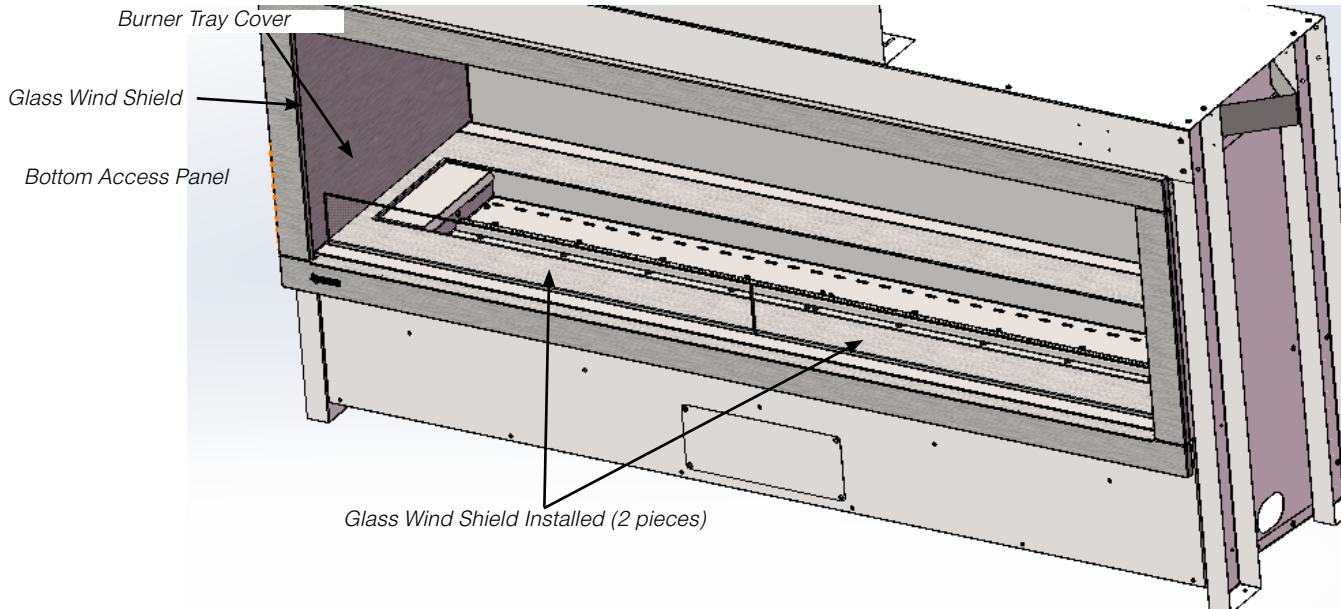
OPTIONAL FINISHING TRIM (PART #646-936)

Optional finishing trim is not supplied with the PTO50/HZO60 - if purchased, place finishing trim on unit between unit and finishing material.
Note: Optional trim is not available for the PTO80 and PTO100.



GLASS WIND SHIELD INSTALLATION

To install the glass wind shields - slot the glass pieces (x2) into the space between the burner tray cover and the bottom access panel.
 NOTE: If setting unit up as a see-through repeat procedure on opposite side of burner.



OPERATING INSTRUCTIONS

1. Read and understand these instructions before operating this appliance.
2. Check to see that all wiring is correct and enclosed to prevent possible shock.
3. Check to ensure there are no gas leaks.
4. Ensure that the stainless panels are installed.
5. Verify log placement. If the pilot cannot be seen when lighting the unit, the logs have been incorrectly positioned.
6. The unit should never be turned off, and on again without a minimum of a 60 second wait.

LIGHTING PROCEDURE

1. Turn on ON/OFF switch.
2. After approximately 4 seconds the spark ignition system will spark for 60 seconds to light the main burner.
3. The unit will turn on.

Note: The first try for ignition will last approximately 60 seconds. If there is no flame ignition (rectification) the board will stop sparking for approximately 35 seconds. After wait time, the board will start second try for ignition by sparking for approximately 60 seconds. If there is still no positive ignition the board will go into lock out.

The system will need to be reset as follows:

- a) Turn the system off using ON/OFF switch.
- b) After approximately 2 seconds turn on ON/OFF switch.
- c) Unit will repeat step 2.

SHUTDOWN PROCEDURE

1. Turn ON/OFF switch.
2. If service is to be performed - you must disconnect both sources of power to the unit, the main power and battery.

FIRST FIRE

The first fire in your fireplace is part of the paint curing process. To ensure that the paint is properly cured, it is recommended that you burn your fireplace for at least four (4) hours the first time you use it.

When first operated, the unit will release an odour caused by the curing of the paint, the burning off of any oils remaining from manufacturing.

The glass panel may require cleaning after the unit has cooled down.

DO NOT ATTEMPT TO CLEAN THE GLASS WHILE IT IS HOT.

Note: When the glass is cold and the appliance is lit, it may cause condensation and fog the glass. This condensation is normal and will disappear in a few minutes as the glass heats up.

AERATION ADJUSTMENT

Open the air shutter for a blue flame or close for a yellower flame. The burner aeration is factory set but may need adjusting due to either the local gas supply or altitude.

Minimum Air Shutter Opening:

Fully Closed 1/4"	NG LP
----------------------	----------

See LP conversion instructions (Steps 1-3 & 8) in this manual for aeration adjustment instructions.

CAUTION: Carbon will be produced if air shutter is closed too much.

Note: Any damage due to carboning resulting from improperly setting the aeration controls is NOT covered under warranty.

Note: Aeration Adjustment should only be performed by an authorized FPI Installer at the time of installation or service.

COPY OF LIGHTING PLATE INSTRUCTIONS

The lighting plate is located on the underside of the table top on the unit.

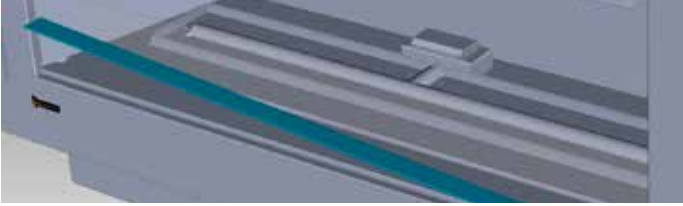
<p>FOR YOUR SAFETY READ BEFORE LIGHTING</p> <p>This appliance must be installed in accordance with local codes, if any; if none, with the National Gas and Propane Installation Codes, CSA B149.3, or Natural Gas and Propane Installation Codes, CSA B149.3.</p> <p>WARNING: If you do not follow these instructions exactly, a fire or explosion may result causing property damage, personal injury or death.</p> <p>Information on this label and the information on the owner's manual and the information on the label on the gas supply information consult a qualified installer, service agency or gas supplier.</p> <p>AVERTISSEMENT: Quoique ne respecte pas à la lettre les instructions de sécurité, il peut y avoir des dommages matériels, des blessures ou la mort.</p> <p>Une installation, d'ajustement, de modification, de service ou de réparation non effectués conformément aux instructions peut causer un incendie, des blessures ou la mort.</p> <p>Informations sur ce manuel du propriétaire de l'appareil, les informations supplémentaires ou des informations supplémentaires, consultez un installateur qualifié, une agence de service ou le fournisseur de gaz.</p>	<p>A) This appliance is equipped with an ignition device which automatically lights the pilot.</p> <p>B) BEFORE OPERATING smell all around the appliance area for gas. Be sure to smell next to the floor because some gas is heavier than air and will settle on the floor.</p> <p>WARNING:</p> <ul style="list-style-type: none"> - Do not touch any electric switch, do not use any phone in your building. - If you cannot reach your gas supplier, call the fire department. <p>A) Cet appareil est muni d'un dispositif d'allumage qui allume automatiquement la veilleuse.</p> <p>B) Avant d'utiliser l'appareil, sentez l'air autour de l'appareil pour détecter une odeur de gaz. Renfermez-vous au sol, car certains gaz sont plus lourds que l'air et se déposent au sol.</p> <p>QUE FAIRE SI VOUS SENTEZ UNE ODEUR DE COULEUR DE GAZ:</p> <ul style="list-style-type: none"> - Ne touchez à aucun interrupteur; n'utilisez pas de téléphones se trouvant dans le bâtiment. - Appelez immédiatement votre fournisseur de gaz depuis un voisin. Suivez les instructions du fournisseur. - Si vous ne pouvez pas rejoindre le fournisseur de gaz, appelez le service incendie. 	<p>CAUTION: Do not touch. Do not operate. Severe burns may result. Keep children, furniture, gas line and other liquids away from burner and control panel.</p> <p>See installation and operating instructions for details.</p>	<p>STOP! Read the safety information on this label.</p> <ol style="list-style-type: none"> 1) Turn on ON/OFF switch for 60 seconds to lock out the spark ignition system will spark for 60 seconds to light the main burner. 2) The unit will turn on. 3) The unit will turn on. <p>Note: The first attempt to ignition will last approximately 60 seconds. If there is no flame ignition (recognition) the board will stop sparking for approximately 35 seconds. After this wait time, the board will start sparking again. If there is still no positive ignition after the second attempt the board will go into lock out mode:</p> <ol style="list-style-type: none"> a) Wait 5 minutes - turn the system off using ON/OFF switch. b) After approximately 2 seconds turn on ON/OFF switch. c) Unit will repeat step 2. 	<p>1) Appuyez sur l'interrupteur ON/OFF pendant 60 secondes afin d'amorcer le brûleur principal.</p> <p>2) L'appareil s'allumera.</p> <p>3) L'appareil s'allumera.</p> <p>Remarque : Au premier allumage, le système tente d'allumer les flammes pendant 60 secondes. Si l'essai échoue, le système s'arrête d'allumer pendant 35 secondes. Ce délai écoulé, le système tente à nouveau d'allumer les flammes pendant 60 secondes. C'est ce qu'on appelle l'étape de reconnaissance. Si les flammes ne s'allument toujours pas, le système se met en mode verrouillage.</p> <p>Il faut alors le réinitialiser en suivant les étapes ci-dessous :</p> <ol style="list-style-type: none"> a) Attendez 5 minutes et éteignez l'appareil en appuyant l'interrupteur sur OFF. b) À l'aide de l'interrupteur, allumez le système. c) L'unité répète l'étape 2. 	<p>TO TURN OFF GAS APPLIANCE</p> <ol style="list-style-type: none"> 1) Turn ON/OFF switch. 2) If service is to be performed, you must disconnect power to the unit, from the battery pack, and lock out the main burner. <p>1) Appuyez sur le bouton ON/OFF.</p> <p>2) Pour l'entretien de l'appareil, vous devez débrancher le câble de la batterie et verrouiller le brûleur principal. Consultez le manuel d'instruction pour plus de détails.</p>	<p>THIS INSTRUCTION PLATE</p> <p>99-36</p>
--	---	---	--	---	--	---

MAINTENANCE INSTRUCTIONS

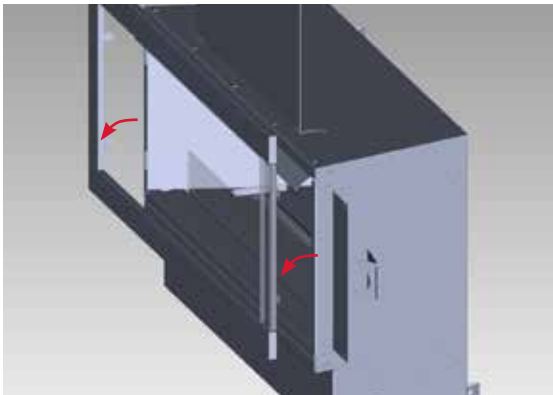
1. Always turn off the gas valve and unplug the batteries before cleaning. For relighting, refer to lighting instructions. Keep the burner and control compartment clean by brushing and vacuuming at least once a year. When cleaning the logs, use a soft clean paint brush as the logs are fragile and easily damaged.
2. Clean appliance with a damp cloth (never when unit is hot). Never use an abrasive cleaner. The glass should be cleaned with a gas fireplace glass cleaner.
3. Hand and finger marks should be cleaned off with a soft cloth and a stainless steel cleaner. Most stainless steel cleaners leave a film/residue on the surface of the panels. Use an ammonia based cleaner (ie. glass cleaner) to remove this film before applying heat to the unit. Failure to do this will result in burn stains on panels which you will be unable to remove.
4. The heater is finished in a heat resistant paint and should only be refinished with heat resistant paint. Regency® uses StoveBright Paint - Metallic Black #6309.
5. Make a periodic check of burner for proper position and condition. Visually check the flame of the burner periodically, making sure the flames are steady; not lifting or floating. If there is a problem, call a qualified service person.
6. The appliance must be inspected before use, and at least annually, by a qualified field service person, to ensure that the flow of combustion and ventilation air is not obstructed.
7. Do not use this appliance if any part has been under water. Immediately call a qualified service technician to inspect the appliance and to replace any part of the control system and any gas control which has been under water. This is not covered under the terms of the warranty policy.
8. Verify operation after servicing.

VALVE ASSEMBLY REPLACEMENT

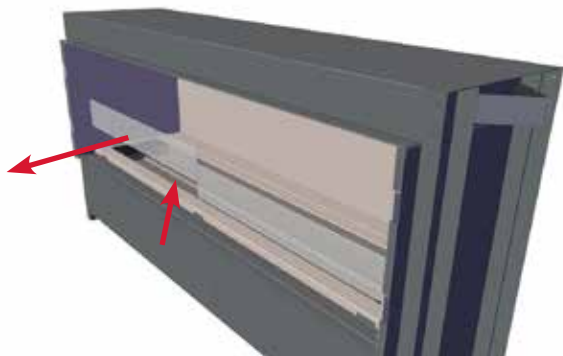
1. Turn the unit off and allow it to cool down to room temperature.
2. **Turn off the gas supply** to the unit.
3. Remove trim.



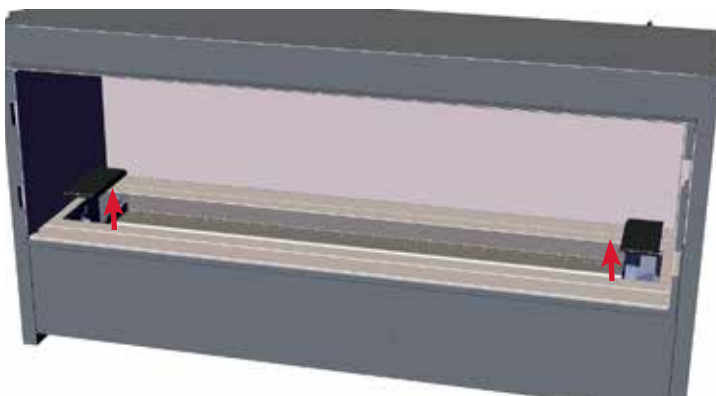
4. Remove the faceplate by lifting it up and off the unit.



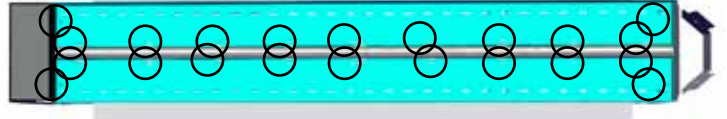
5. Remove the glass wind shields (x2) by lifting them up and out- place both on a soft surface.



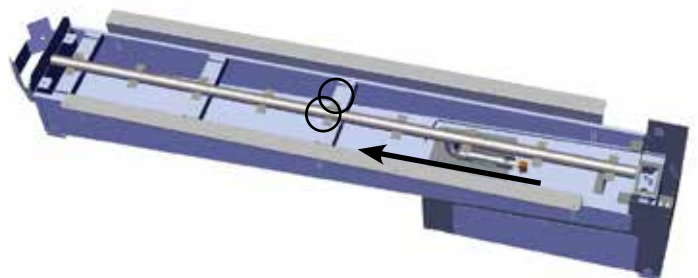
6. Remove the two (2) burner end caps by lifting out as shown.



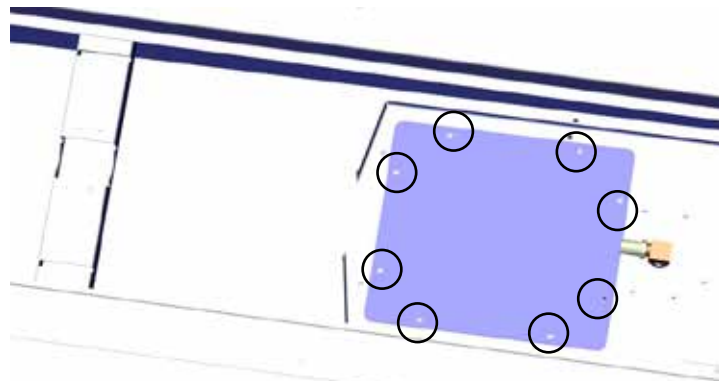
7. Remove the pilot shield.
8. Remove any media (glass, etc) and log set, if installed.
9. Locate and remove 22 screws to remove the burner tray.



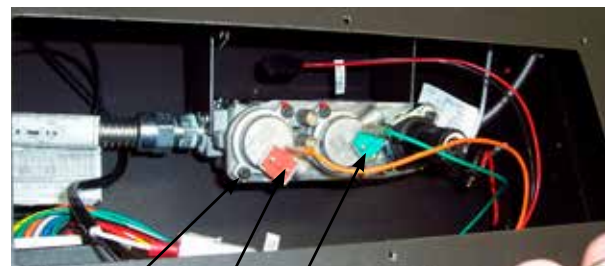
10. Lift burner tray off.
11. Remove 2 screws and slide burner tube to the left (away from the orifice) to remove.



12. Remove 8 screws on valve access cover.



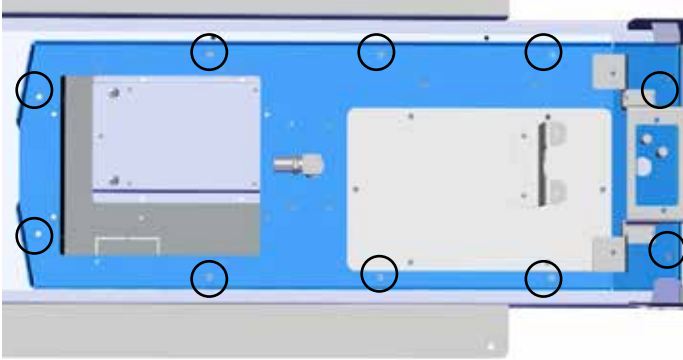
13. Ensure gas supply is OFF and remove flex connection at valve.
14. Remove orange EV1 wire and ground wire connected to the gas valve.
15. Remove green EV2 wire connected to the gas valve.



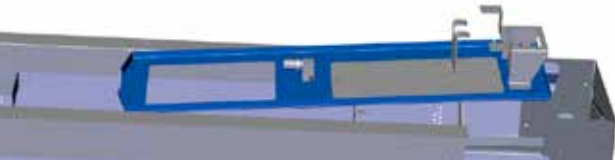
Ground wire location (Ground wire not shown)
EV1
EV2

44 | maintenance

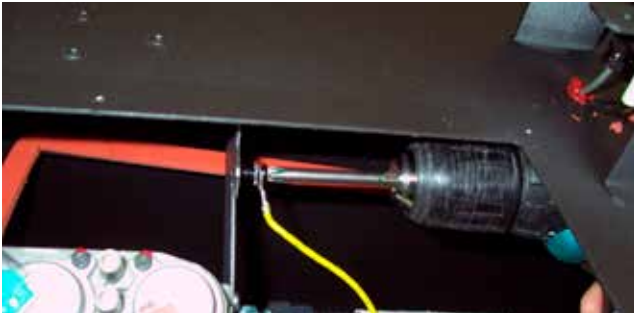
16. Remove 10 screws securing valve assembly.



17. Lift valve assembly up and out.



18. Remove both yellow/green ground wires from valve and valve bracket.



19. Replace valve assembly gasket if necessary.

20. Rotate HI/LO modulating valve all the way to the left for HI position.

21. Install new valve assembly and reverse steps 11-1.

22. Test gas connections for leaks.

GAS MAINTENANCE - RECOMMENDED ANNUAL ROUTINE

In order for your Regency appliance to continue to provide comfort to your home periodic maintenance must be performed to ensure it is operating at peak efficiency. The items in the list should be checked by a licensed gas service technician during the annual service check. Your unit may require more frequent maintenance checks if you notice any changes in how it operates. Operational changes to look for can include, but are not limited to, extended start up time, increased fan noise, residue/carbon build up, white build up on the glass/firebox, increased operating noise etc. Should any of these or other conditions arise, discontinue use and schedule a service check with your local licensed gas technician. The list below shows items your licensed service technician will need to check and service at least annually.

Clean

- Glass
- Interior bricks / panels
- Burner ports & burner air shutter
- Fan blades
- Log set
- Pilot orifices
- Pilot hood (change as needed)
- Flame sensor (electronic ignition models)
- Flame electrode
- Burner orifice
- Thermocouple (millivolt models)
- Thermopile (millivolt models)

Inspect

- Pilot assembly
- Burner
- Pressure relief gaskets/doors
- Flue connector gasket if present
- Door seal
- Firebox
- Venting
- Batteries (remote handheld, remote receiver, DC sparker, change as needed)
- Burner media (change as needed)
- Air shutter setting
- Wiring

Check

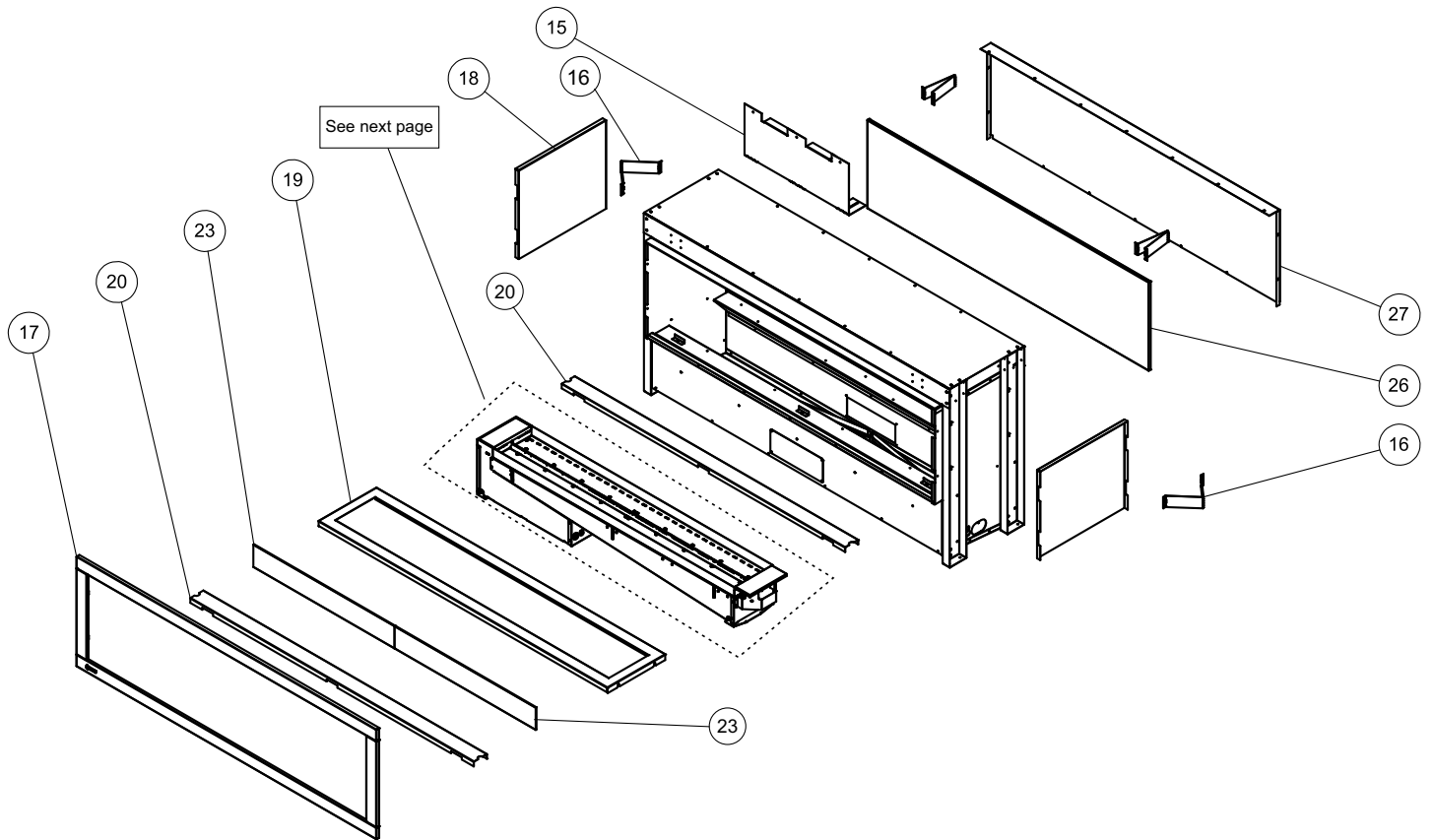
- Voltage on thermocouple/thermopile (millivolt models)
- Ohms reading on flame sense (electronic ignition models)
- Inlet/outlet fuel pressures as per rating plate
- Voltage/ohms readings on gas valve
- Ohms reading to on/off switch circuit (Millivolt models)

Gas Leak Tests

- Check main gas line connection to valve
- Check shut off valve connections
- Check connection at gas valve outlet
- Check connection at main burner orifice
- Check pilot fuel line at valve and at pilot assembly

MAIN ASSEMBLY

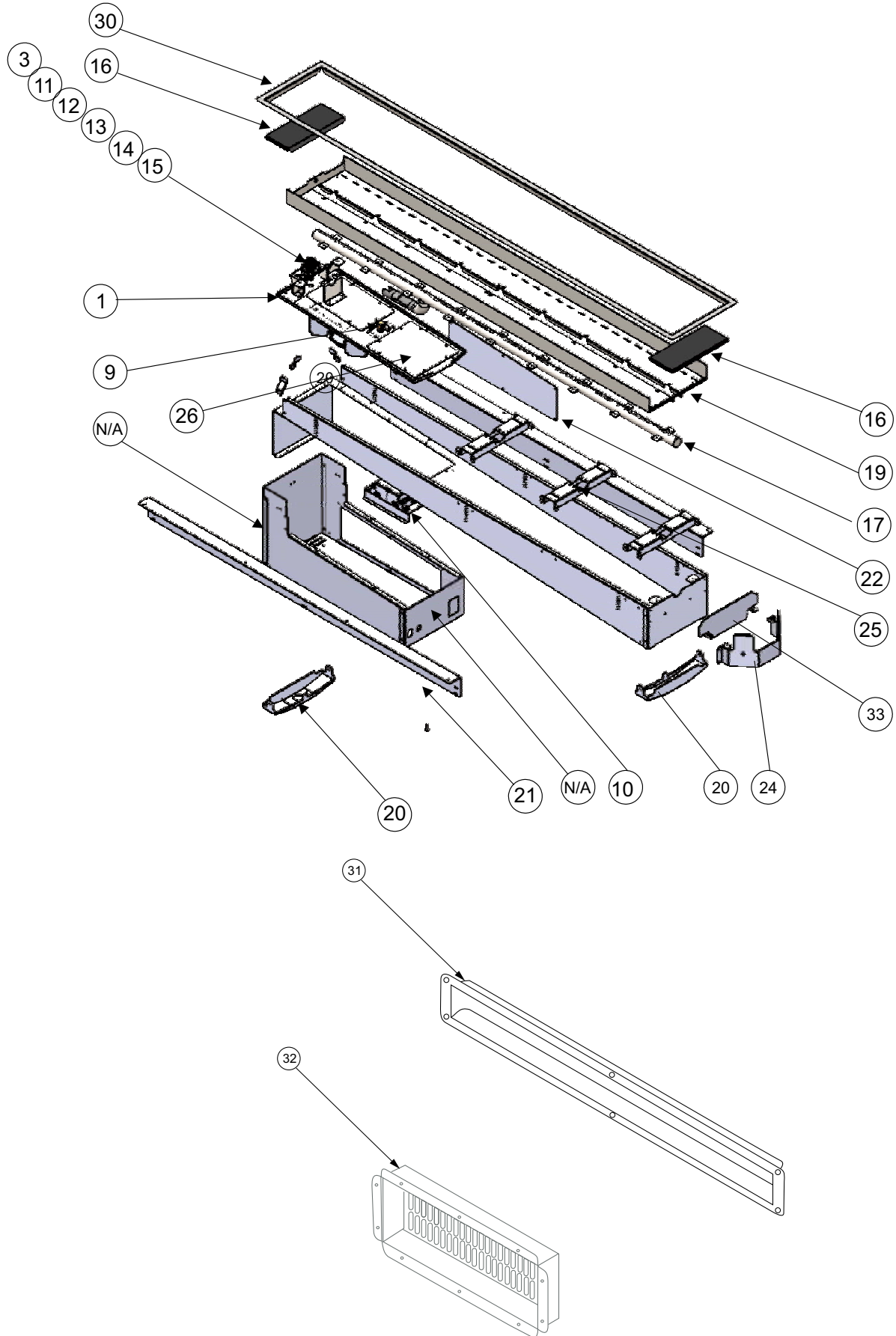
	Part #	Description
15	646-127	Top Nailing Bracket
16	646-126	Side Standoff
17	646-910	Faceplate
18	646-117	Stainless Side Panel
19	646-132	Burner Tray Cover
20	646-133	Stainless Cover Plate
21	326-034	Panel Clip
23	940-488/P	Front Glass (each)
26	646-138	Stainless Back Panel
27	646-113	Rear Panel
*	646-125	Rear Panel Bracket
*	646-136	Glass Clip
*	646-137	Glass Slider
*		Part Not Shown



1	647-574/P	Valve Assembly - NG
1	647-576/P	Valve Assembly - LP
2	911-004	Valve Only NG 886 SIT IPI 0.886.002
2	911-005	Valve Only LP 886 SIT IPI 0.886.003
3	911-276	Pilot Assembly - NG 0.199.067
3	911-007	Pilot Assembly - LP
9	905-012	Burner Orifice #11 NG
9	904-430	Burner Orifice #42 LP
10	911-265	Ignition Control Board (DFC) 0.584.622
11	911-037	Flame Sensor 0.915.905
12	911-038	Flame Electrode 0.915.020
13	910-432	Novasit Pilot Tubing With Nuts
14	911-039	Two Way Pilot Hood
15	911-137	Pilot Hood Clip
16	647-519	Pilot Shield/Cover (Each)
17	646-525	Burner Tube Assembly - NG/LP
19	646-030	Stainless Steel Burner Tray
20	377-054	Drainage Bracket
21	646-032	Nailing Strips (Each)
22	377-047F	Valve Side Cover Plate
23	377-048	Pilot Shield Support Bracket
24	377-087	Offset Bracket
25	377-024	Burner Tube Support (Each)
26	377-052	Component Top Cover Plate
30	646-936	Inner Trim Stainless Steel PTO50
31	377-060	Vent upper
32	377-061	Vent lower
33	377-086	Burner Tray End

N/S	911-008	Regulator - NG For 886 SIT .907.016
N/S	911-009	Regulator - LP For 886 SIT 907.014
N/S	910-036	Orifice SIT Pilot - NG #51 977.165
N/S	910-101	Orifice SIT - LP #35 977.168
N/S	911-013	Valve Wiring Harness With IPI/CPI Switch 0.584.912
N/S	911-019	On/Off Switch Wire
N/S	911-086	Wire 9 Volt Battery Extension
N/S	904-529	Allen Key 5/32 Long
N/S	260350	Valve Gasket Silicone Sponge (Sold Per Foot/8 Feet Required)
N/S	908-529	Label Natural Gas
N/S	908-528	Label Propane Red
N/S	904-687	Connector Clamp 3/8 CI-804
N/S	911-018	Holder Battery W/9V Snap 4 Cell Stack AA
N/S	932-012	Tubing SS Flexible 3/8 x 12 inch
N/S	904-629	Fitting Elbow 90 Degree Forged (Valve Outlet End)
N/S	904-600	Fitting Elbow 90 Degree (Burner Orifice End)
N/S	904-899	Fitting Straight Adaptor 1/8 Pipe MxF1.515in. (Burner Orifice End)
N/S	904-658	Inlet Flex Line Gas SS Steel 24 inch
N/S	911-087	Double Gang Front Cover
N/S	911-088	Double Gang Box Grey
N/S	910-363	Wall Switch White
N/S	910-179	Plastic Snap Bushing 3/4" (Hardwire Kit)
N/S	911-231	Electric Duct Plastic Cover (Hardwire Kit)
N/S	911-232	GFCI Outlet 15 Amp 125 Volt Duplex (Hardwire Kit)
N/S	911-233	Blank Adaptor Plate White (Hardwire Kit)
N/S	911-088	Box Switch Rectangular Two Gang (Hardwire Kit)
N/S	911-090/P	Power Adaptor AC/DC 7V 0.584.851 (Hardwire Kit)
N/S	910-178	Grommet Strain Relief (Hardwire Kit)
N/S		Not shown

48 | parts list



OPTIONAL ACCESSORIES

946-675	Glass Crystals - Black (5 Pounds)
946-676	Glass Crystals - Copper 5 Pounds)
946-677	Glass Crystals - Starfire 5 Pounds)
946-739	Firebeads - Black 5 Pounds)
946-741	Firebeads - Glacier ice 5 Pounds)
946-742	Firebeads - Caramel Luster 5 Pounds)
646-969	Conversion Kit - LP
646-910	Stainless Steel Faceplate (Each)
946-710	Slate/Gray Volcanic Stones
946-711	Ivory/Tan Volcanis Stones
326-930	Ceramic Log Set (2 Sets required)
646-934	Stainless Steel Burner Cover
646-936	Stainless Steel Burner Trim
646-950	Hardwire Kit

Limited Warranty

FPI Fireplace Products International Ltd. (for Canadian customers) and Fireplace Products U.S., Inc. (for U.S. customers) (collectively referred to herein as “FPI”) extends this Limited Warranty to the original purchaser of this appliance provided the product remains in the original place of installation. The items covered by this limited warranty and the period of such coverage is set forth in the table below.

Some conditions apply (see below).

The policy is not transferable, amendable or negotiable under any circumstances.

Outdoor Gas Products	Component Coverage		Labor Coverage
	2 years	1 year	1 year
Burner tube assembly Valve assembly Pilot assembly Flame sensor/Spark electrode	✓		✓
Ignition Control Boards	✓		✓
Wiring/Switches/Battery Pack/Batteries	✓		✓
Pilot Tube/Burner and Pilot Orifices	✓		✓
All hardware including wheels and rubber feet	✓		✓
Weather covers	✓		✓
Thermocouple		✓	✓
Electrical components		✓	✓
Tempered Glass		✓	✓
All media		✓	✓
Stainless components/ Paint/Gaskets/ All finishes/Plated Corners			

Conditions:

Warranty protects against defect in manufacture or FPI factory assembled components only, unless herein specified otherwise.

Any part(s) found to be defective during the warranty period as outlined above will be repaired or replaced at FPI’s option through an accredited distributor, dealer or pre-approved and assigned agent provided that the defective part is returned to the distributor, dealer or agent for inspection if requested by FPI. Alternatively, FPI may at its own discretion fully discharge all of its obligations under the warranty by refunding the verified purchase price of the product to the original purchaser. The purchase price must be confirmed by the original Bill of Sale.

The authorized selling dealer, or an alternative authorized FPI dealer if pre-approved by FPI, is responsible for all in-field diagnosis and service work related to all warranty claims. FPI is not responsible for results or costs of workmanship of unauthorized FPI dealers or agents in the negligence of their service work.

At all times FPI reserves the right to inspect reported complaints on location in the field claimed to be defective prior to processing or authorizing of any claim. Failure to allow this upon request will void the warranty.

All warranty claims must be submitted by the dealer servicing the claim, including a copy of the Bill of Sale (proof of purchase by you). All claims must be complete and provide full details as requested by FPI to receive consideration for evaluation. Incomplete claims may be rejected.

Replacement units are limited to one per warranty term.

Unit must be installed according to all manufacturers' instructions as per the manual.

All Local and National required codes must be met.

The installer is responsible to ensure the unit is operating as designed at the time of installation.

The original purchaser is responsible for annual maintenance of the unit, as outlined in the owner's manual. As outlined below, the warranty may be voided due to problems caused by lack of maintenance.

Repair/replacement parts purchased by the consumer from FPI after the original coverage has expired on the unit will carry a 90 day warranty, valid with a receipt only. Any item shown to be defective will be repaired or replaced at our discretion. No labor coverage is included with these parts

Exclusions:

This Limited Warranty does not extend to paint, rust or corrosion of any kind due to a lack of maintenance or improper venting, combustion air provision, corrosive chemicals (i.e. chlorine, salt, air, etc.), door or glass gasketing, or any other additional factory fitted gasketing.

Malfunction, damage or performance based issues as a result of environmental conditions, location, chemical damages, downdrafts, installation error, installation by an unqualified installer, incorrect chimney components (including but not limited to cap size or type), operator error, abuse, misuse, use of improper fuels, lack of regular maintenance and upkeep, acts of God, weather related problems from hurricanes, tornados, earthquakes, floods, lightning strikes/bolts or acts of terrorism or war, which result in malfunction of the appliance are not covered under the terms of this Limited Warranty.

FPI has no obligation to enhance or modify any unit once manufactured (i.e. as products evolve, field modifications or upgrades will not be performed on existing appliances).

This warranty does not cover dealer travel costs for diagnostic or service work. All labor rates paid to authorized dealers are subsidized, pre-determined rates. Dealers may charge homeowner for travel and additional time beyond their subsidy.

Any unit showing signs of neglect or misuse will not be covered under the terms of this warranty policy and may void this warranty. This includes units with rusted or corroded fireboxes which have not been reported as rusted or corroded within three (3) months of installation/purchase.

Units which show evidence of being operated while damaged, or with problems known to the purchaser and causing further damages will void this warranty.

Units where the serial no. has been altered, deleted, removed or made illegible will void this warranty.

Minor movement, expansion and contraction of the steel is normal and is not covered under the terms of this warranty.

FPI is not liable for the removal or replacement of facings or finishing in order to repair or replace any appliance in the field.

Freight damages for products or parts are not covered under the terms of the warranty.

Products made or provided by other manufacturers and used in conjunction with the FPI appliance without prior authorization from FPI may void this warranty.

Limitations of Liability:

The original purchaser's exclusive remedy under this warranty, and FPI's sole obligation under this warranty, express or implied, in contract or in tort, shall be limited to replacement, repair, or refund, as outlined above. IN NO EVENT WILL FPI BE LIABLE UNDER THIS WARRANTY FOR ANY INCIDENTAL OR CONSEQUENTIAL COMMERCIAL DAMAGES OR DAMAGES TO PROPERTY. TO THE EXTENT PERMITTED BY APPLICABLE LAW, FPI MAKES NO EXPRESS WARRANTIES OTHER THAN THE WARRANTY SPECIFIED HEREIN. THE DURATION OF ANY IMPLIED WARRANTY IS LIMITED TO DURATION OF THE EXPRESSED WARRANTY SPECIFIED ABOVE. IF IMPLIED WARRANTIES CANNOT BE DISCLAIMED, THEN SUCH WARRANTIES ARE LIMITED IN DURATION TO THE DURATION OF THIS WARRANTY.

Some U.S. states do not allow limitations on how long an implied warranty lasts, or allow exclusion or limitation of incidental or consequential damages, so the above limitations or exclusions may not apply to you.

Customers located outside the U.S. should consult their local, provincial or national legal codes for additional terms which may be applicable to this warranty.

How to Obtain Warranty Service:

Customers should contact the authorized selling dealer to obtain warranty service. In the event the authorized selling dealer is unable to provide warranty service, please contact FPI by mail at the address listed below. Please include a brief description of the problem and your address, email and telephone contact information. A representative will contact you to make arrangements for an inspection and/or warranty service.

Canadian Warrantor:

FPI Fireplace Products International Ltd.
6988 Venture St.
Delta, British Columbia
Canada, V4G 1H4

U.S. Warrantor:

Fireplace Products U.S., Inc.
PO Box 2189 PMB 125
Blaine, WA
United States, 98231

Or contact the Regency Customer Care Centre at 1-800-442-7432 (phone)/604-946-4349 (fax)

Product Registration and Customer Support:

Thank you for choosing a Regency Fireplace. Regency strives to be a world leader in the design, manufacture, and marketing of hearth products. To provide the best support for your product, we request that you complete a product registration form at <http://www.regency-fire.com/Customer-Care/Warranty-Registration.aspx> within ninety (90) days of purchase.



Product Registration and Customer Support:

Thank you for choosing a Regency Fireplace. Regency strives to be a world leader in the design, manufacture, and marketing of hearth products. To provide the best support for your product, we request that you complete a product registration form found on our Web Site under Customer Care within ninety (90) days of purchase.

For purchases made in **CANADA or the UNITED STATES:**

<http://www.regency-fire.com/Customer-Care/Warranty-Registration.aspx>

For purchases made in **AUSTRALIA:**

<http://www.regency-fire.com.au/Customer-Care/Warranty-Registration.aspx>

You may also complete the warranty registration form below to register your Regency Fireplace Product and mail and/or fax it back to us, and we will register the warranty for you. It is important you provide us with all the information below in order for us to serve you better.

Warranty Registration Form (or Register online immediately at the above Web Site):

Warranty Details	
Serial Number (required):	
Purchase Date (required) (mm/dd/yyyy):	
Product Details	
Product Model (required):	
Dealer Details	
Dealer Name (required):	
Dealer Address:	
Dealer Phone #:	
Installer:	
Date Installed (mm/dd/yyyy):	
Your Contact Details (required)	
Name:	
Address:	
Phone:	
Email:	

For purchases made in **CANADA:**

FPI Fireplace Products International Ltd.
6988 Venture St.
Delta, British Columbia
Canada, V4G 1H4

Phone: 604-946-5155
Fax: 1-866-393-2806

For purchases made in the **UNITED STATES:**

Fireplace Products US, Inc.
PO Box 2189 PMB 125
Blaine, WA
United States, 98231

Phone: 604-946-5155
Fax: 1-866-393-2806

For purchases made in **AUSTRALIA:**

Fireplace Products Australia Pty Ltd
1- 3 Conquest Way
Hallam, VIC
Australia, 3803

Phone: +61 3 9799 7277
Fax: +61 3 9799 7822

For fireplace care and tips and answers to most common questions please visit our Customer Care section on our Web Site. Please feel free to contact your selling dealer if you have any questions about your Regency product.

Installer: Please complete the following information

Dealer Name & Address: _____

Installer: _____

Phone #: _____

Date Installed: _____

Serial #: _____