

Regency Plateau® Series Outdoor Decorative Gas Appliances

Owners & Installation Manual

MODELS: PTO30CFT-11



⚠ WARNING:
If the information in these instructions are not followed exactly, a fire or explosion may result causing property damage, personal injury or loss of life.

⚠ WARNING: For Outdoor Use Only.

Installation and service must be performed by a qualified installer, service agency, or the gas supplier.

⚠ WARNING:

Do not store or use gasoline, or other flammable vapors and liquids, in the vicinity of this or any other appliance.

An LP-cylinder not connected for use shall not be stored in the vicinity of this or any other appliance.

⚠ DANGER - FIRE OR EXPLOSION HAZARD

If you smell gas:

- Shut off gas to the appliance.
- Extinguish any open flame.
- If odour continues, leave the area immediately.
- After leaving the area, call your gas supplier or fire department.

Failure to follow these instructions could result in fire or explosion, which could cause property damage, personal injury, or death.

Tested by:



Installer: Leave this manual with the appliance.
Consumer: Retain this manual for future reference.

**⚠ DANGER • FLAMMABLE GAS UNDER PRESSURE
LEAKING LP-GAS MAY CAUSE A FIRE OR EXPLOSION IF IGNITED
CAUSING SERIOUS BODILY INJURY OR DEATH.
CONTACT LP GAS SUPPLIER FOR REPAIRS, OR DISPOSAL OF THIS
CYLINDER OR UNUSED LP-GAS.**

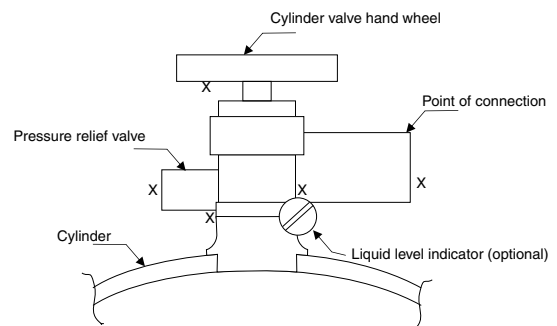
**⚠ WARNING • FOR OUTDOOR USE ONLY.*
DO NOT USE OR STORE CYLINDER IN A BUILDING,
GARAGE OR ENCLOSED AREA.**

⚠ WARNING

- Know the odor of LP-gas. If you hear, see or smell leaking LP-gas, immediately get everyone away from the cylinder and call the Fire Department. Do not attempt repairs.
- Caution you LP gas supplier to:
 - Be certain cylinder is purged of trapped air prior to first filling.
 - Be certain not to overfill cylinder.
 - Be certain cylinder re qualification date is checked.
- LP- gas is heavier than air and may settle in low places while dissipating.
- Contact with the liquid contents of cylinder will cause freeze
- Do not allow children to tamper or play with cylinder.
- When not connected for use, keep cylinder valve turned off. Self contained appliances shall be limited to a cylinder of 30lb capacity or less.
- Do not use, store, or transport cylinder where it would be exposed to high temperatures. Relief valve may open allowing a large amount of flammable gas to escape.
- When transporting, keep cylinder secured in an upright position with cylinder valve turned off.

WHEN CONNECTING FOR USE:

- Use only in compliance with applicable codes.
- Read and follow manufacturer's instructions.
- Consult manufacturer's instructions concerning the cylinder connection provided with your appliance.
- Be sure regulator vent is not pointing up.
- Turn off all valves on the appliance.
- Do not check for gas leaks with a match or open flame. Apply soapy water at areas marked "X". Open cylinder valve. If bubble appears, close valve and have LP-gas service person make needed repairs. Also, check appliance valves and connections to make sure they do not leak before lighting appliance.
- Light appliance(s) following manufacturer's instructions.
- When appliance is not in use, keep the cylinder valve closed.




**DO NOT REMOVE, DEFACE, OR OBLITERATE THIS LABEL
*EXCEPT AS AUTHORIZED BY ANSI/NFPA 58.**

⚠ DANGER. Do not store a spare LP cylinder under or near a barbecue grill, or other heat sources. NEVER fill an LP cylinder beyond 80% full: a fire causing death or serious injury may occur.

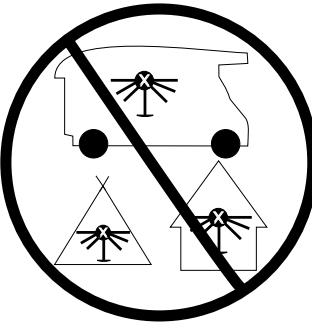
To the New Owner:

Congratulations!

You are the owner of a state-of-the-art Outdoor Decorative Gas Appliance by REGENCY®. The Plateau® Series Outdoor Decorative Gas Appliance has been designed to provide you with all the warmth and charm of a fire at the flick of a switch. The Plateau® Series Outdoor Decorative Gas Appliance has been approved by Warnock Hersey/Intertek for both safety and efficiency. As it also bears our own mark, it promises to provide you with economy, comfort and security for many trouble free years to follow. Please take a moment now to acquaint yourself with these instructions and the many features of your Regency® decorative gas appliance.



DANGER



CARBON MONOXIDE HAZARD
 This appliance can produce carbon monoxide which has no odor.
 Using it in an enclosed space can kill you.
 Never use this appliance in an enclosed space such as a camper, tent, car or home.

MONOXYDE DE CARBONE
 Cet appareil peut produire du monoxyde de carbone, un gaz inodore.
 L'utilisation de cet appareil dans des espaces clos peut entraîner la mort.
 Ne jamais utiliser cet appareil dans un espace clos comme un véhicule de camping, une tente, une automobile ou une maison.

919-780a



WARNING!



HOT GLASS WILL CAUSE BURNS


DO NOT TOUCH GLASS UNTIL COOLED

NEVER ALLOW CHILDREN TO TOUCH GLASS




⚠ WARNING:

Improper installation, adjustment, alteration, service or maintenance can cause injury or property damage. Read the installation, operating and maintenance instructions thoroughly before installing or servicing this equipment.



www.nficertified.org

We recommend that our products be installed and serviced by professionals who are certified in the U.S. by the National Fireplace Institute® (NFI) or in Canada by Wood Energy Technical Training (WETT).



4 | table of contents

Copy of Safety Decal	5
PTO30CFT Decal Location	5

DIMENSIONS

Unit Dimensions - Coffee Table	6
--------------------------------------	---

INSTALLATION

Gas Installation Checklist	7
Important Message	9
Before You Start.....	9
General Safety Information	9
Installation Checklist.....	10
Locating Your Outdoor Decorative Gas Appliance.....	10
Important Information for Outdoor Fireplace Installations	11
Minimum Clearances to Combustibles	12
System Data	13
High Elevation.....	13
Gas Line Installation	13
Copreci Valve Description.....	13
Aeration Adjustment.....	13
Gas Pipe Pressure Testing	13
Gas Connection	14
Conversion from LP to NG.....	15
LP Hard Line Conversion	18
LP Tank Installation	20
Table Top Installation.....	21
Glass Crystal / Basalt Volcanic Stones Installation	22
Optional Log Set Installation	23
Optional Glass Surround Installation	25
Plateau Table Cover Installations	26

OPERATING INSTRUCTIONS

Operating Instructions	27
Lighting Procedure	27
Shutdown Procedure	27
First Fire.....	27
Copy of Lighting Plate Instructions	28

OPERATING INSTRUCTIONS

Maintenance Instructions	29
Thermocouple Replacement	29
Valve Assembly Replacement	30
Gas Maintenance.....	31

PARTS

Parts	32
Optional Accessories.....	32
Coffee Table Unit.....	33

WARRANTY

Warranty	34
----------------	----

This is a copy of the label that accompanies each Regency® Series Outdoor decorative gas appliance. We have printed a copy of the contents here for your review.

NOTE: Regency® units are constantly being improved. Check the label on the unit and if there is a difference, the label on the unit is the correct one.

For the State of Massachusetts, installation and repair must be done by a plumber or gas fitter licensed in the Commonwealth of Massachusetts.

For the State of Massachusetts, flexible connectors shall not exceed 36 inches in length.

For the State of Massachusetts, the appliances individual manual shut-off must be a t-handle type valve.

PTO30CFT SERIAL # DECAL LOCATION

- 1) Remove gas knob on side of unit and remove side panel (see manual).
- 2) Once side panel has been removed you will see the rating plate inside base of unit. See below.



COPY OF SAFETY DECAL

Intertek
C#4001172

Listed: OUTDOOR DECORATIVE GAS APPLIANCE / EXTÉRIEUR DÉCORATIFS APPAREIL À GAZ
Certified for/Certifié : ANSI Z21.97-2017 - CSA 2.41-2017/CSA 2.17-2017

Refer to Intertek's Directory of Building Products for detailed information.
Pour plus de détails, se reporter au Répertoire des produits de construction de Intertek.

REGENCY
FIREPLACE PRODUCTS

DO NOT REMOVE THIS LABEL / NE PAS ENLEVER CETTE ÉTIQUETTE

APPAREIL FONCTIONNANT AU GAZ PROPANE

Modèle PTO30CFT-LP11

Maximum supply pressure	14"	WC/C.E.	(3.49 kPa)
Minimum supply pressure	12"	WC/C.E.	(2.99 kPa)
Manifold pressure high	11"	WC/C.E.	(2.74 kPa)
Manifold pressure low	1"	WC/C.E.	(0.26 kPa)
Orifice size	#45	DMS	
Maximum input	48,000	Btu/h	(14.06 kW)
Minimum input	15,000	Btu/h	(4.39 kW)
Altitude	0-4500	ft/ft	(0-1372 m)

Intertek
C#4001172

Listed: OUTDOOR DECORATIVE GAS APPLIANCE / EXTÉRIEUR DÉCORATIFS APPAREIL À GAZ
Certified for/Certifié : ANSI Z21.97-2017 - CSA 2.41-2017/CSA 2.17-2017

Refer to Intertek's Directory of Building Products for detailed information.
Pour plus de détails, se reporter au Répertoire des produits de construction de Intertek.

REGENCY
FIREPLACE PRODUCTS

DO NOT REMOVE THIS LABEL / NE PAS ENLEVER CETTE ÉTIQUETTE

APPAREIL FONCTIONNANT AU GAZ PROPANE

Modèle PTO30CFT-LP11

Maximum supply pressure	14"	WC/C.E.	(3.49 kPa)
Minimum supply pressure	12"	WC/C.E.	(2.99 kPa)
Manifold pressure high	11"	WC/C.E.	(2.74 kPa)
Manifold pressure low	1"	WC/C.E.	(0.26 kPa)
Orifice size	#45	DMS	
Maximum input	48,000	Btu/h	(14.06 kW)
Minimum input	15,000	Btu/h	(4.39 kW)
Altitude	0-4500	ft/ft	(0-1372 m)

FOR OUTDOOR USE ONLY / POUR USAGE EXTÉRIEUR SEULEMENT
IF STORED INDOORS, DETACH AND LEAVE CYLINDER OUTDOORS /
SI À L'INTÉRIEUR, DÉTACHER LA BOUTEILLE DE GAZ ET LA LAISSER À L'EXTÉRIEUR

See Use Only with Barrier Plate #376-992 /
Utiliser uniquement avec lecran (n° 376-992)

MODELS:
○ PTO30CFT-NG11
○ PTO30CFT-LP11

FPI Fireplace Products International Ltd.
6988 Venture St.
Delta, BC, Canada V4G 1H4

920-253

Minimum Clearances to Combustibles /
Dégagements min. des matériaux combustibles

Back Wall/Mur du fond: A - 17" (432mm)
Side Wall/Mur latéral: B - 17" (432mm)
Ceiling/Pitfond: C - 45" (1143mm)
Floor/Plancher: D - 1" (25mm)

Made in Canada /
Fabriqué au Canada

APPAREIL FONCTIONNANT AU GAZ NATUREL

Modèle PTO30CFT-NG11

Maximum supply pressure	14"	WC/C.E.	(3.49 kPa)
Minimum supply pressure	12"	WC/C.E.	(1.25 kPa)
Manifold pressure high	35"	WC/C.E.	(0.87 kPa)
Manifold pressure low	0.5"	WC/C.E.	(0.12 kPa)
Orifice size	#23	DMS	
Maximum input	49,000	Btu/h	(14.36 kW)
Minimum input	18,000	Btu/h	(5.27 kW)
Altitude	0-4500	ft/ft	(0-1372 m)

Minimum Clearances to Combustibles /
Dégagements min. des matériaux combustibles

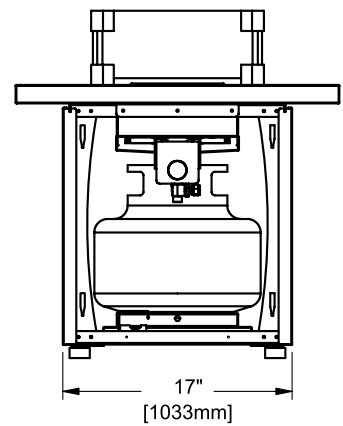
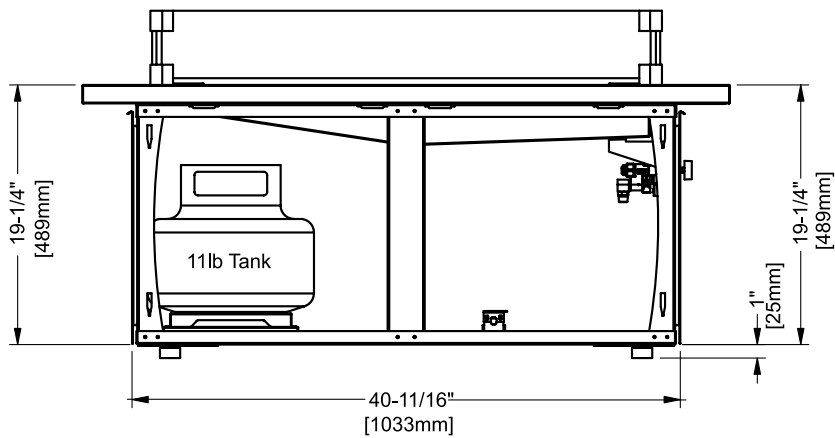
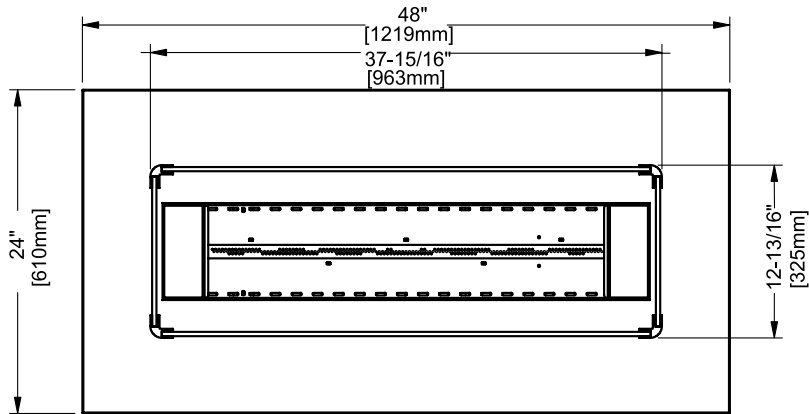
Back Wall/Mur du fond: A - 17" (432mm)
Side Wall/Mur latéral: B - 17" (432mm)
Ceiling/Pitfond: C - 45" (1143mm)
Floor/Plancher: D - 1" (25mm)

Made in Canada /
Fabriqué au Canada

Regency Plateau® Series Outdoor Gas Fireplace | 5

6 | dimensions

UNIT DIMENSIONS - COFFEE TABLE



NOTE: Optional glass surround shown

ALL PICTURES / DIAGRAMS SHOWN THROUGHOUT THIS MANUAL ARE FOR ILLUSTRATION PURPOSES ONLY. ACTUAL PRODUCT MAY VARY DUE TO PRODUCT ENHANCEMENTS.

GAS INSTALLATION CHECKLIST

This general checklist does not contain all pertinent installation details or specifics and does not supersede the guidelines in this manual. Your Regency dealer/installer should use it in conjunction with manual instructions. Please follow all local codes and jurisdictions in authority.

Customer: _____	Date Installed: _____
Install Address: _____	Location of Fireplace: _____
Serial No: _____	Installer: _____
Model No: _____	

Site Requirements	YES	NO
If applicable, are the insulation, vapour barrier, and drywall present if installed on an outside wall or chase?		
Does the area have a solid continuous base to support the unit?		
Will the area accommodate the size of the appliance and all clearances?		
Are the gas and electrical roughed into the area where the unit is being installed?		
In City & Grandview series cool wall applications, is the chase enclosure sealed to prevent heat from escaping? All hot air from the unit must exit via the mandatory ventilation openings.		
In City & Grandview applications, Is the chase enclosure vented with the mandatory heat ventilation openings? See manual for details.		
If applicable, is the masonry/factory built fireplace in its original condition with no modifications?		
If applicable, have the hearth requirements been met?		
Unit Setup	YES	NO
If applicable, are the standoffs and top nailing flange extensions installed and at the correct depth to accommodate finishing material? See manual for details.		
If applicable, is the fireplace level and secured, meeting framing clearances? See manual for details.		
If applicable, is the unit converted to top or rear vent per manual instructions, and the insulation discarded?		
Venting	YES	NO
Are the venting components approved for the unit installed?		
Does the venting configuration comply with venting diagrams?		
Is venting installed and secured, and are clearances for the vent pipe and termination cap maintained?		
If applicable, was a 1/4" rise maintained for every foot of horizontal run?		
Was the termination installed and sealed?		
Is the direct vent termination at the highest point in the vent assembly?		
If applicable, are both chimney liners continuous from flue collars to termination?		
Electrical and Wiring	YES	NO
Is the appliance connected to the household's 110/120v per local codes? Check local codes for receptacle placement.		
Were the connections in the fireplace tested with a circuit tester?		
Is the appliance properly grounded?		
If applicable, is the supplied electrical/gang box affixed to the wall to facilitate the mounting of the receiver/battery box ?		
Gas	YES	NO
Does the supply pressure meet the requirements shown on the rating plate?		
Was a conversion performed?		
Was a leak check performed and manifold pressures verified?		
Is the shut-off valve installed and easily accessible to the customer?		

8 | installation

Finishing	YES	NO
If applicable, is only noncombustible material installed in the noncombustible areas?		
Do clearances meet installation and manual requirements?		
Do the mantels and/or projections comply with the installation manual?		
If applicable, was the solid fuel fireplace warning plate installed?		
Appliance Media Setup	YES	NO
Do commands from the remote or wall switch light the pilot and main burner?		
Are the burner media/log set, glass door, and screen installed per instructions in the manual?		
Was the air shutter on the proper setting after running the unit for 20 minutes?		
If applicable, were the surround and trims installed according to the manual?		
Was the operation of the fan, lights (if installed), and flame modulation checked?		
Customer Tutorial and Presentation	YES	NO
Is the customer confident operating the new gas appliance and aware of all the features on the remote?		
Confirm that the rating and lighting plates are attached to the appliance. Do not remove.		
Was the customer informed of the location of the rating and lighting plates?		
Was accessing unit controls in a power outage explained to the customer?		
Are the model and serial numbers and the date of installation of the unit written in the manual and on the checklist?		
Were the warranty and unit registration reviewed with the customer?		
Comments:		

**IMPORTANT MESSAGE
SAVE THESE
INSTRUCTIONS**

The Plateau® Series Outdoor Decorative Gas Appliance must be installed in accordance with these instructions. Carefully read all the instructions in this manual first. Consult the "authority having jurisdiction" to determine the need for a permit prior to starting the installation. It is the responsibility of the installer to ensure this decorative gas appliance is installed in compliance with manufacturers instructions and all applicable codes.

BEFORE YOU START

Safe installation and operation of this appliance requires common sense, however, we are required by the Canadian Safety Standards and ANSI Standards to make you aware of the following:

INSTALLATION AND REPAIR SHOULD BE DONE BY AN AUTHORIZED SERVICE PERSON. THE APPLIANCE SHOULD BE INSPECTED BEFORE USE AND AT LEAST ANNUALLY BY A PROFESSIONAL SERVICE PERSON. IT IS IMPERATIVE THAT CONTROL COMPARTMENTS, BURNERS AND CIRCULATING AIR PASSAGEWAYS OF THE APPLIANCE BE KEPT CLEAN.

ANY GUARD OR OTHER PROTECTIVE DEVICE REMOVED FOR SERVICING THE APPLIANCE MUST BE REPLACED PRIOR TO OPERATING THE APPLIANCE

WARNING: FAILURE TO INSTALL THIS APPLIANCE CORRECTLY WILL VOID YOUR WARRANTY AND MAY CAUSE A SERIOUS FIRE.

CHILDREN AND ADULTS SHOULD BE ALERTED TO THE HAZARDS OF HIGH SURFACE TEMPERATURES, ESPECIALLY THE DECORATIVE GAS APPLIANCE GLASS AND FACEPLATE, AND SHOULD STAY AWAY TO AVOID BURNS OR CLOTHING IGNITION.

THIS APPLIANCE SHALL BE USED ONLY OUTDOORS IN A WELL-VENTILATED SPACE AND SHALL NOT BE USED IN A BUILDING, GARAGE OR ANY OTHER ENCLOSED AREA.

DO NOT USE THIS APPLIANCE IF ANY PART HAS BEEN UNDER WATER. IMMEDIATELY CALL A QUALIFIED SERVICE TECHNICIAN TO INSPECT THE APPLIANCE AND TO REPLACE ANY PART OF THE CONTROL SYSTEM AND ANY GAS CONTROL WHICH HAS BEEN SUBMERGED UNDER WATER.

CLOTHING OR OTHER FLAMMABLE MATERIAL SHOULD NOT BE PLACED ON OR NEAR THE APPLIANCE.

SOLID FUELS SHALL NOT BE BURNED IN THIS APPLIANCE.

YOUNG CHILDREN SHOULD BE CAREFULLY SUPERVISED WHEN THEY ARE IN THE SAME AREA AS THE APPLIANCE. TODDLERS, YOUNG CHILDREN AND OTHERS MAY BE SUSCEPTIBLE TO ACCIDENTAL CONTACT BURNS. A PHYSICAL BARRIERS IS RECOMMENDED IF THERE ARE AT RISK INDIVIDUAL IN THE HOUSE. TO RESTRICT ACCESS TO A DECORATIVE GAS APPLIANCE OR STOVE, INSTALL AN ADJUSTABLE SAFETY GATE TO KEEP TODDLERS, YOUNG CHILDREN AND OTHER AT RISK INDIVIDUALS OUT OF THE ROOM AND AWAY FROM HOT SURFACES.

GENERAL SAFETY INFORMATION

1. The installation must conform with local codes or, in the absence of local codes, with *CAN/CSA-B149.1*, Natural Gas and Propane Installation Code or *CAN/CSA-B149.2*, Propane installation code the Natural Gas Fuel Code, *ANSI Z223.1/NFPA 54*.
2. See general construction and assembly instructions. The appliance should be enclosed.
3. The LP-gas supply cylinder to be used must be: (a) Constructed and marked in accordance with the U.S. Department of Transportation (D.O.T.) Specifications for LP-Gas Cylinders, or the Standard for Cylinders, Spheres and Tubes for Transportation of Dangerous Goods and Commission, *CAN/CSA-B339* as applicable; (b) Provided with a listed overfilling prevention device; and (c) Provided with a cylinder connection device compatible with the connection for the appliance.

4. Inspect the burner before each use of the appliance for blockage and any signs of deterioration.
5. **DO NOT SIT OR STAND ON DECORATIVE GAS APPLIANCE**
6. To prevent injury, do not allow anyone who is unfamiliar with the operation to use the decorative gas appliance.
7. Wear gloves and safety glasses for protection while doing required maintenance.
8. Maximum gas inlet pressure = 1/2 psig.
9. Under no circumstances should this appliance be modified. Parts that have to be removed for servicing should be replaced prior to operating this appliance.
10. Installation and any repairs to this appliance should be done by a qualified service person. A professional service person should be called to inspect this appliance annually. Make it a practice to have all of your gas appliances checked annually.
11. Under no circumstances should any solid fuels (wood, paper, cardboard, coal, etc.) be burned in this appliance.
12. The appliance and its individual shutoff valve must be disconnected from the gas supply piping system during any pressure testing of that system at test pressures in excess of 1/2 psi (3.5kPa).
The appliance must be isolated from the gas supply piping system by closing its individual manual shutoff valve during any pressure testing of the gas supply piping system at test pressures equal to or less than 1/2 psi (3.5 kPa).
13. The appliance area must be kept clear and free of combustible materials, (gases and other flammable vapours and liquids).
It is highly recommended to protect the interior from moisture (rain, snow). Cover the enclosure opening when not in use. This decorative gas appliance is only for use with the type of gas indicated on the rating plate. This decorative gas appliance is not convertible for use with other gases, unless a certified kit is used.
14. **IMPORTANT: Leaf cover **must** be removed when burner is in operation.**
15. When not using appliance for extended periods of time - turn off gas supply.
16. The 4 levelling legs on this appliance must not be removed. These are for safety and must remain on the appliance. Ensure appliance is level prior to use.

 **WARNING: Cancer and Reproductive Harm**
www.P65Warnings.ca.gov 919-874

INSTALLATION CHECKLIST

1. Appliance is factory equipped for Propane (LP). For LP - use a maximum 11 pound tank or direct hard pipe from an external LP supply. When using Natural Gas, see NG conversion section in this manual.
2. Locate appliance:
 - a) Refer to "Locating Your Outdoor decorative gas appliance" section
 - b) Clearances to Combustibles (Refer to "Clearances" section)
3. Gas Connection - for ease of installation and gas connection, remove left side panel (one opposite gas knob. Test for leaks..
4. Install standard and optional features. Refer to the following sections:
 - a. Tabletop Installation
 - b. Glass Crystals
 - c. Volcanic Stone Installation (optional)
 - d. Log Installation (optional)
 - e. Glass Surround Installation (optional)
 - f. Weather Cover Installation
5. Final check.

This includes:

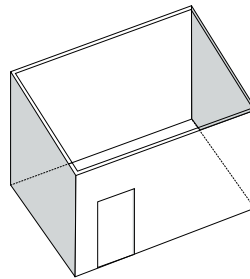
1. Locking the appliance to ensure the correct firing rate (noted on label), after burning appliance for 45 minutes.
2. If required, adjusting the primary air to ensure that the flame does not carbon. First allow the unit to burn for 15-20 min. to stabilize.

CAUTION: Any alteration to the product that causes sooting or carboning that results in damage is not the responsibility of the manufacturer.

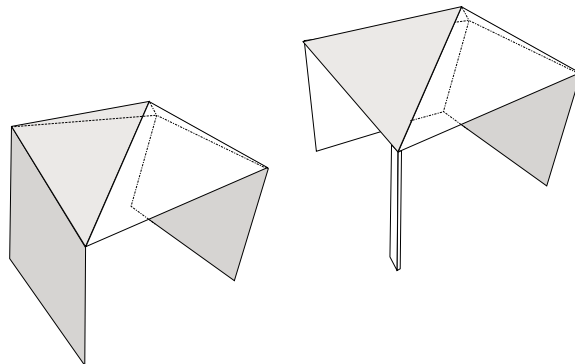
LOCATING YOUR OUTDOOR DECORATIVE GAS APPLIANCE

1. When selecting a location for your outdoor decorative gas appliance, ensure that the clearances are met.
2. This appliance must be installed in an open-air situation with natural ventilation, without stagnant areas, where gas leakage and products of combustion are rapidly dispersed by wind and natural convection.
3. Certain materials or items, when placed under or near the appliance, will be subjected to radiant heat and could become damaged.
4. Typically an outdoor space is not enclosed but, any enclosure in which the appliance is used shall comply with one of the following:

An enclosure with walls on all sides, but at least one permanent opening at ground level and no overhead cover.



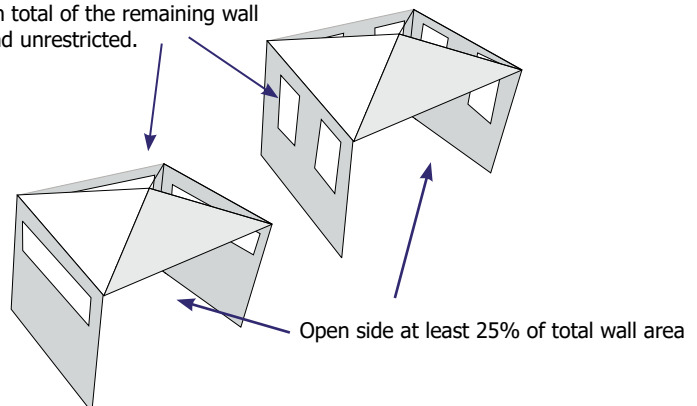
Within a partial enclosure that includes an overhead cover and no more that two walls.



Within a partial enclosure that includes an overhead cover and more than two walls, the following shall apply:

- At least 25% of the total wall area is completely open, and
- At least 30% of the remaining wall area is open and unrestricted

30% or more in total of the remaining wall area is open and unrestricted.



***SEE IMPORTANT INSTALLATION NOTES NEXT PAGE**

IMPORTANT INFORMATION FOR OUTDOOR FIREPLACE INSTALLATIONS

- Never insulate around the body of the unit
- Excessive heat retention in the firebox will lead to component failure and fireplace malfunction
- Heat retention can cause "Oil-canning" and damage the fireplace due to overheating
- Do not build up a wall of any type in front or to the sides of the appliance, higher than the firebox opening. This will create a pressure zone at the firebox and will prevent the unit from venting
- This is an outdoor appliance with a built-in drain. This drain should be installed and connected in all applications as per the instructions in this manual
- Inadequate drainage will cause rust and reduce the life of your appliance, this is not protected by warranty

COMPONENTS IN OUTDOOR APPLIANCES

- Installed correctly, these components will be subjected to far lower temperatures than indoor units, which have been certified as safe from heat etc
- Working gas pressures are as critical in outdoor products as they are in indoor products, even more important in Electronic systems

COMMON MISCONCEPTIONS REGARDING OUTDOOR FIREPLACES

- There is a common misconception that being outdoors, an Outdoor Fireplace will function, regardless of circumstances,
- Outdoor fireplaces require the same amount of ventilation as indoor units, often more
- Outdoor units require adequate ventilation to the atmosphere, which in turn provides ongoing circulatory combustion air
- This type of Appliance Vents.
- All Outdoor Fireplace Products have the same need for Air/Oxygen, and an ability to Vent
- Even though the appliance is outdoors, this doesn't mean it is getting adequate air
- Requirements are not specific to Regency units
- Read and follow critical location guidelines in this manual

UNDERSTANDING OUTDOOR APPLIANCE REQUIREMENTS

- Don't overlook the obvious
- Widen your margin for error
- Combustion always requires the same three elements
- Only the quantities and volumes change



IMPORTANT THINGS TO REMEMBER

- Correct Working Gas pressure is critical
- Wherever possible avoid locating on a flat wall in a tight corner
- Floor space doesn't count as "open area"
- Install to the manual specs for framing and **do not insulate** unit or enclosure
- Only Regency approved media should be used in the firebox (i.e. stones/glass)
- Be aware of pressure zones due to location (i.e. facing the ocean)
- Open walls and doorways to outside air are beneficial to the performance of an outdoor appliance
- Fixed roof/ceiling open areas count towards the total open area overall requirement
- Screens create 40% or more air restriction
- Screened areas are restrictions and reduce open air space, calculate area based on a **closed** screen
- The biggest problems are created by lack of airflow for the appliance
- Outdoor fireplaces are often built-in systems and incorrect installation can result in high repair costs
- Units must not be modified or altered in any way

ANTICIPATED ISSUES CAUSED BY INCORRECT LOCATION OR INSTALLATION

- Unit shutting down intermittently
- Overheating of components leading to failure
- Lifting flame
- Poor flame package (i.e. all to one side, lazy flame)
- Failure to ignite
- Excess carbon
- Safety issues and concerns created from the by products of combustion

OUTDOOR APPLIANCES REQUIRE VENTING

- Outdoor appliances must be installed in: open-air situations with natural ventilation and without stagnant areas
- Any gas leakage and products of combustion need to be rapidly dispersed by wind and natural convection
- Typically outdoor spaces are not enclosed, however, failure to adhere to installation guidelines, may cause the outdoor fireplace to be affected by wind or air pressure inside the enclosure
- **ANY** enclosure in which the appliance is used shall comply with one of the diagrams on the previous page.

OUTDOOR APPLIANCE INSTALLATION SUMMARY

- All walls + overhead cover = 100% total area
- One of four walls or full overhead area must be totally open, plus—one of remaining walls must have a fixed opening
- All outdoor fireplaces/fire tables require total **natural** ventilation of 50% open space

MINIMUM CLEARANCES TO COMBUSTIBLES

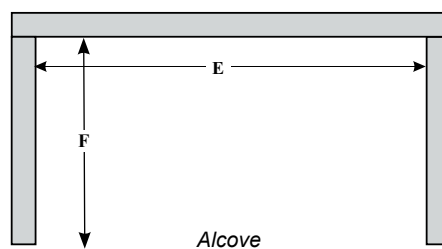
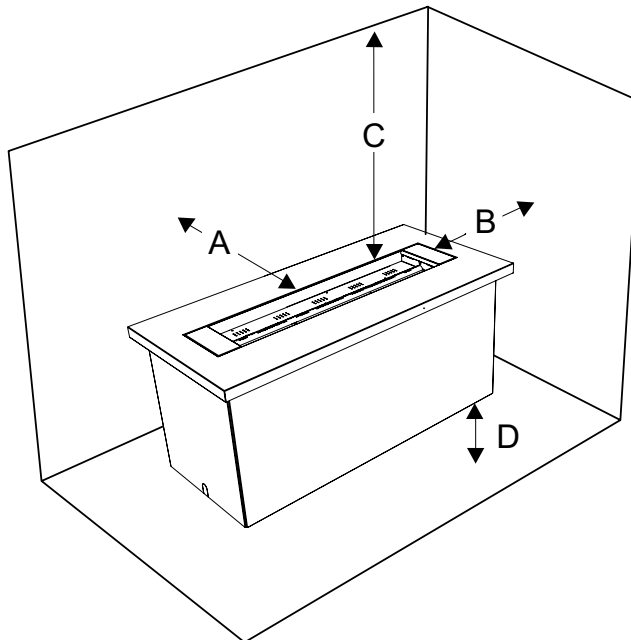
The clearances listed below are Minimum distances unless otherwise stated.

A major cause of fires is failure to maintain required clearances (air space) to combustible materials. It is of the greatest importance that this decorative gas appliance be installed only in accordance with these instructions.

WARNING
 Fire hazard is an extreme risk if these clearances (air space) to combustible materials are not adhered to. It is of greatest importance that this decorative gas appliance be installed only in accordance with these instructions.

Plateau® Series Clearance Requirements

Clearance	Dimension	Measured From:
A: Back wall	17" (432mm)	Burner to back wall
B: Sidewall	17" (432mm)	Burner to sidewall
C: Ceiling	45" (1143mm)	Burner to Ceiling
D¹: Floor	0"	When using supplied leveling legs or optional casters.
D²: Floor	1"(25mm)	Unit Base to Floor
E: Alcove Width	84"(2134mm)	Wall to Wall (Minimum)
F: Alcove Depth	60" (1524mm)	Front to Back Wall (Maximum)
Notes:	0"	No Hearth Required



PLATEAU® SERIES-NG11 SYSTEM DATA	
Max. Supply Pressure	14" WC (3.49 kpa)
Min. Supply Pressure	5" WC (1.25 kpa)
Manifold Pressure	3.5" WC (0.87 kpa)
Manifold Pressure -Low	0.5" WC (0.12 kpa)
Orifice Size	#23 DMS
Minimum Input	18,000 Btu/h (5.27 kW)
Maximum Input	49,000 Btu/h (14.36 kW)

PLATEAU® SERIES-LP11 SYSTEM DATA	
Max. Supply Pressure	14" WC (3.49 kpa)
Min. Supply Pressure	12" WC (2.99 kpa)
Manifold Pressure	11" WC (2.73 kpa)
Manifold Pressure-Low	1" WC (0.25 kpa)
Orifice Size	#45 DMS
Minimum Input	15,000 Btu/h (4.39 kW)
Maximum Input	48,000 Btu/h (14.06 kW)

HIGH ELEVATION

This unit is approved for altitude 0 to 4500 ft. (CAN/CGA 2.17-M91).

GAS LINE INSTALLATION

Since some municipalities have additional local codes it is always best to consult with your local authorities and the CAN/CGA B149 installation code.

For USA installations follow local codes and/or the current National Fuel Gas Code, ANSI Z223.1.

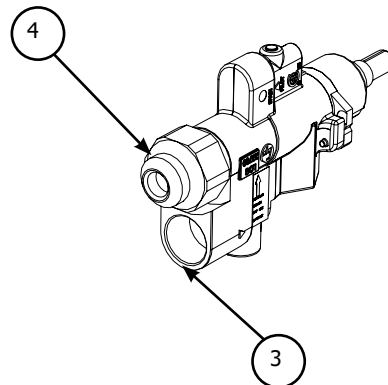
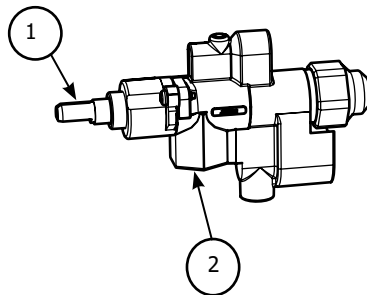
When using copper or flex connectors use only approved fittings. Always provide a union so that gas lines can be easily disconnected for servicing. Flare nuts for copper lines and flex connectors are usually considered to meet this requirement.

NOTE: A shutoff / dante valve should be supplied in or near the unit (or as per local codes) for ease of servicing this appliance.

IMPORTANT: Always check for gas leaks with a soap and water solution or gas leak detector. Do not use open flame for leak testing.

COPRECI VALVE DESCRIPTION

1. Push nozzle
2. Main gas outlet
3. Main gas inlet
4. Thermocouple connection



AERATION ADJUSTMENT

The burner aeration is factory set but may need adjusting due to either the local gas supply or altitude. Open the air shutter for a blue flame or close for a more yellow flame.

Follow steps 1-4 in LP-NG conversion in this manual.

Minimum Air Shutter Opening:

Fully Closed	NG
Fully Open	LP

Note: Any damage due to carboning resulting from improperly setting the aeration controls is NOT covered under warranty.

GAS PIPE PRESSURE TESTING

The appliance must be isolated from the gas supply system by closing its individual manual shut-off valve during any pressure testing of the gas supply piping system at test pressures equal to or less than 1/2 psig. (3.45 kPa). Disconnect piping from supplied regulator at pressures over 1/2 psig.

Note: To properly check the inlet pressure, use the regulator pressure tap (see P.15).

1. Make sure the valve is in the "OFF" position.
2. Loosen the pressure tap, turning counterclockwise with a 1/8" wide flat screwdriver.
3. Attach manometer to pressure tap using a 5/16" ID hose.
4. Light the unit (see Lighting instructions).
5. The pressure check should be carried out with the unit burning and the setting should be within the limits specified on the safety label.
6. When finished reading manometer, turn off the gas valve, disconnect the hose and tighten the screw (clockwise) with a 1/8" flat screwdriver.
Note: Screw should be snug, but do not over tighten.

GAS CONNECTION

1. Pull off gas knob.

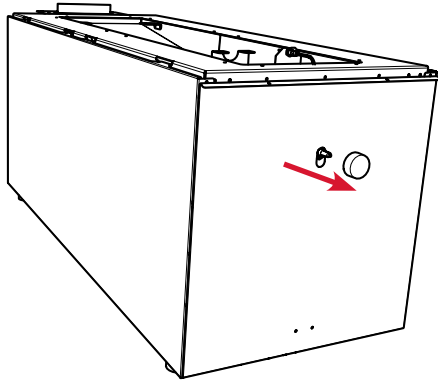


Diagram 1

2. Remove end panel by lifting up and off.

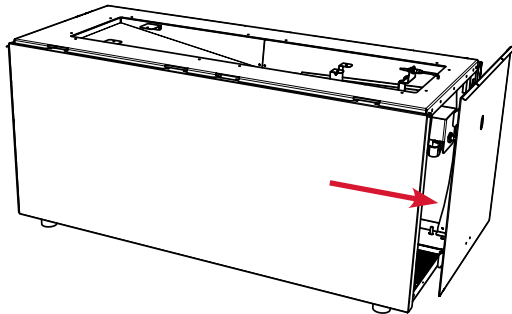


Diagram 2

3. Connect gas line.



4. Check all gas connections (both valve train & propane tank or NG source) under normal operating pressure, for leaks, with soapy water.

NOTE: If soap bubbles, this would indicate a gas leak.

5. Reverse steps 1 & 2.

Average LP Tank Burn Times			
		High	Low
CFT	11lb Tank	3.5 Hrs	11 Hrs

Recommended Propane Tank

Manufacturer: Manchester Tank & Equipment Co.
 Catalog #: 10393.1
 Description: 11 lb. Vertical Propane Cylinder with QCC1/OPD Valve

Other cylinders may be acceptable for use with the appliance provided they are compatible with the retention means (see LP Tank Installation).

Propane cylinders must be:

1. Constructed and marked in accordance with the U.S. Department of Transportation (D.O.T.) Specifications for LP-Gas Cylinders, or the Standard for Cylinders, Spheres and Tubes for Transportation of Dangerous Goods and Commission, CAN/CSA-B339.
2. Provided with a listed overfilling prevention device.
3. Provided with a cylinder connection device (QCC1/OPD).

CONVERSION FROM LP TO NG

**THIS CONVERSION MUST BE DONE BY A QUALIFIED GAS FITTER
IF IN DOUBT DO NOT DO THIS CONVERSION !!**

Each Kit contains one NG Conversion Kit

Conversion Kit Contains:

Qty.	Part #	Description
1	904-989	Burner Orifice #23
1	908-529	Yellow NG Label
1	909-265	Max 0.5 PSI Label
1	286-035	Regulator Mounting Base
1	911-135	Regulator NG
1	904-978	3/8" flex pipe black (18" length)
4	904-959	Phillips screws
1	919-342	Instruction Sheet

- Remove burner orifice with a 1/2" wrench. Use another wrench to hold on to the elbow behind the orifice. Discard orifice. Install new NG orifice supplied with kit.

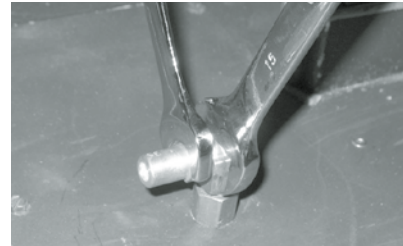


Diagram 5

- Adjust aeration setting to fully closed for NG.

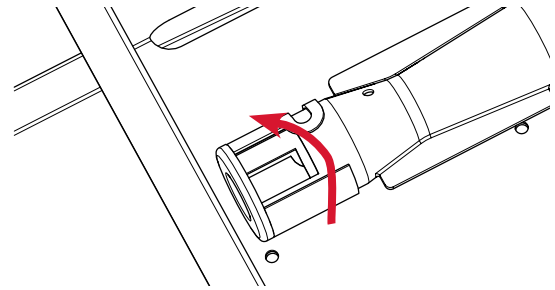


Diagram 6

- Reinstall burner.
- Remove gas knob by pulling off - then remove end panel by lifting up and off.

**Turn the unit off and allow to cool to room temperature.
Remove leaf cover and any media (glass etc) if installed.
Remove Table Top - see instructions in this manual.**

- Remove burner by removing 4 screws in locations shown below. If glass crystals are installed, move the crystals out of the way to reveal screws.

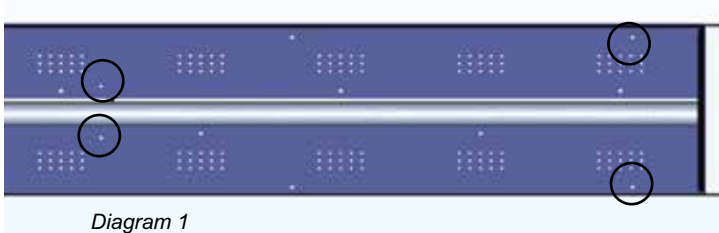


Diagram 1

- Slide burner to the left, away from the pilot orifice and lift out.

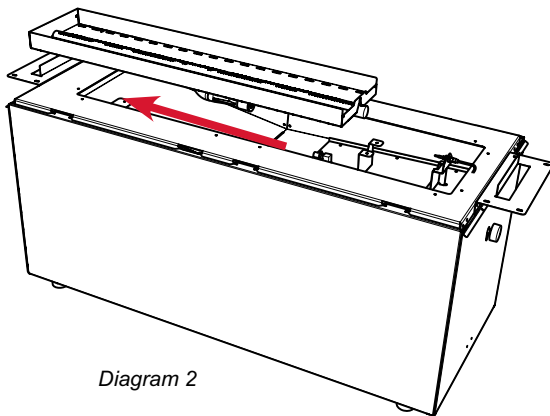


Diagram 2

- Locate LP burner orifice.

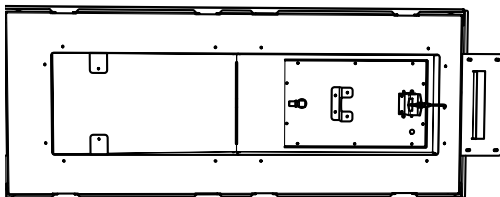


Diagram 3

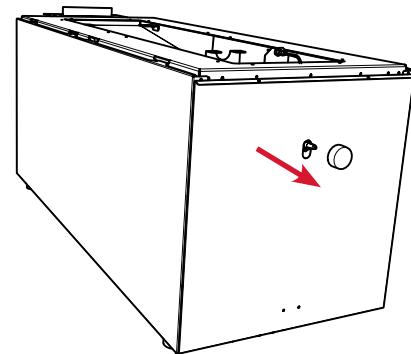


Diagram 7

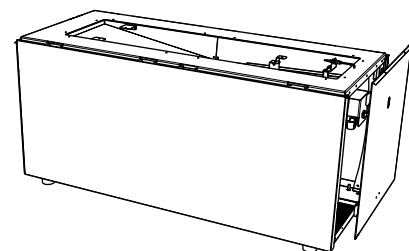


Diagram 8

16 | installation

- 8. Remove panel on opposite end by lifting up and off.
- 9. Disconnect and remove LP tank.

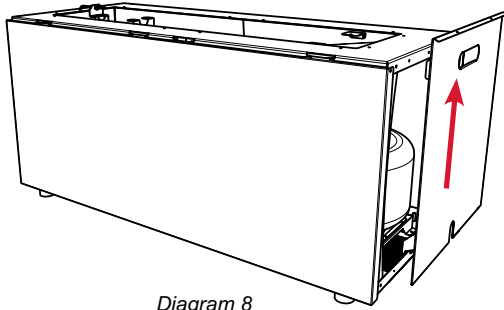


Diagram 8

- 10. Remove 2 screws in locations shown below to remove side panel.

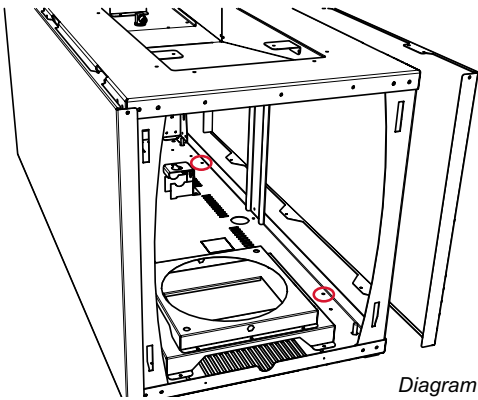


Diagram 9

- 11. Remove LP hose from valve.

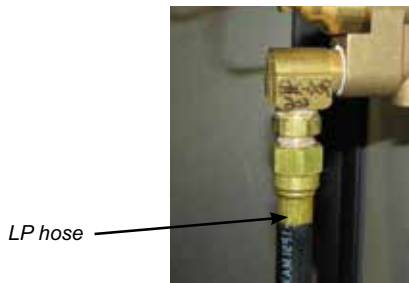
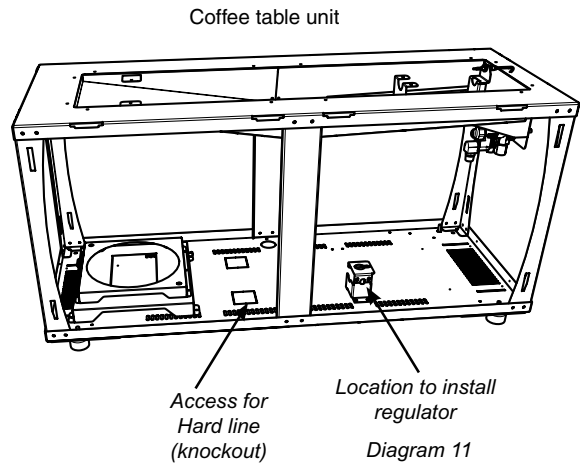


Diagram 10



- 12. Install regulator bracket onto unit base with 2 screws. Connect flex line to regulator—position regulator onto bracket.

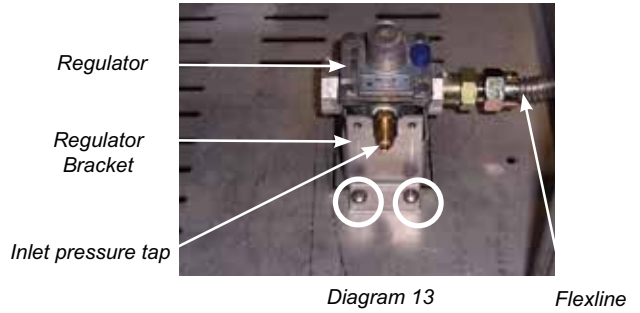


Diagram 13

Flexline

- 13. Secure regulator in position with top bracket - secure with 2 screws. **NOTE:** Top bracket to sit over top of lower bracket. Attach supplied "MAX. 0.5 PSI" sticker to top bracket.

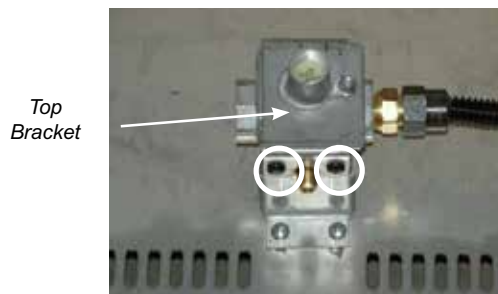


Diagram 14

- Remove connector from end of flex line.



Diagram 15 Remove connector

- Connect flex line to valve fitting.



Diagram 16 Connect flex line to valve

- Attach the label "this unit has been converted to NG" near on top of the serial # decal.
 - Replace red "LPG" label with yellow "NG" label.
 - Bring gas to appliance. The connector removed in previous steps can be used on the inlet side of the regulator.
 - Check all gas connections (at valve, regulator, and NG outlet) under normal operating pressure, for leaks, with soapy water.
- NOTE:** If soap bubbles, this would indicate a gas leak.
- Check inlet and outlet pressures.
 - Reinstall panels.

LP HARD LINE CONVERSION
(FOR USE IN PLACE OF LP TANK)

**THIS CONVERSION MUST BE DONE BY A QUALIFIED GAS FITTER
IF IN DOUBT DO NOT DO THIS CONVERSION !!**

Each Kit contains one LP Hard Line Conversion Kit
Conversion Kit Contains:

Qty.	Part #	Description
1	909-265	Max 0.5 psi label
1	286-035	Regulator mounting base
1	286-036	Regulator mounting top
1	911-136	Regulator LP
1	904-978	3/8" flex pipe 18" length
4	904-959	#8 Philips
1	919-345	Instruction sheet

Turn off unit and allow to cool to room temperature.

1. Remove gas knob by pulling off - then remove end panel by lifting up and off.

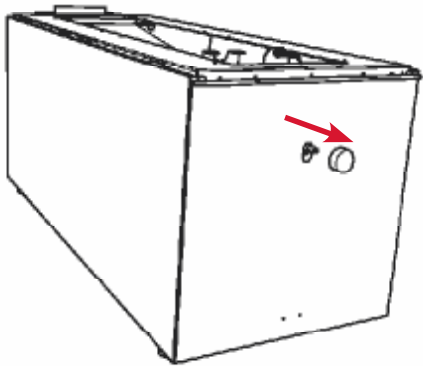


Diagram 1

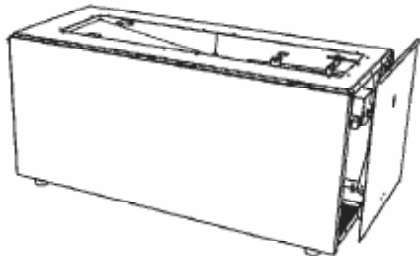


Diagram 2

2. Remove panel on opposite end by lifting up and off.
3. Disconnect and remove LP tank.

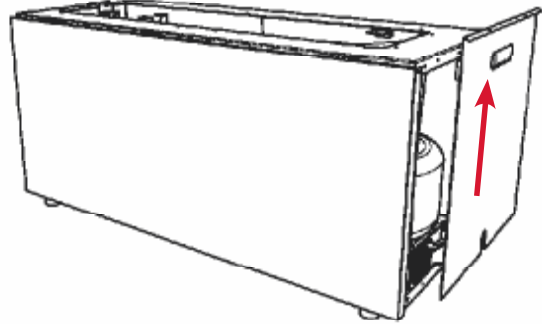


Diagram 3

4. Remove 3 screws in locations shown below to remove side panel.
Note: Coffee height table requires removal of only 2 screws (no middle screw).

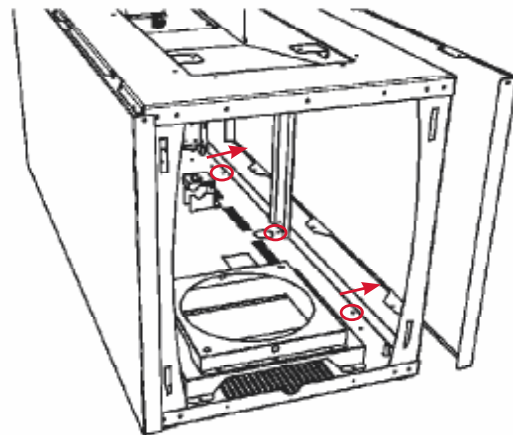


Diagram 4

5. Remove LP hose from valve.

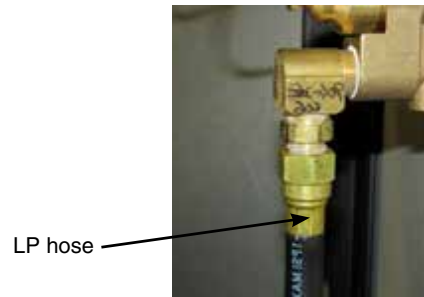
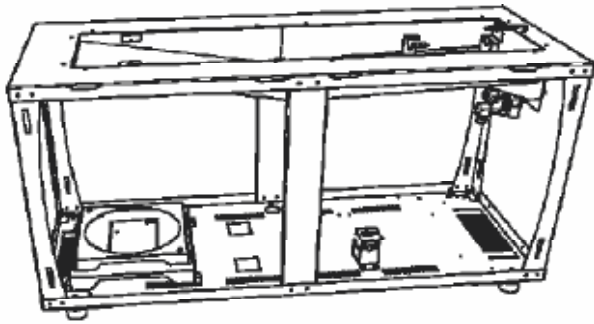


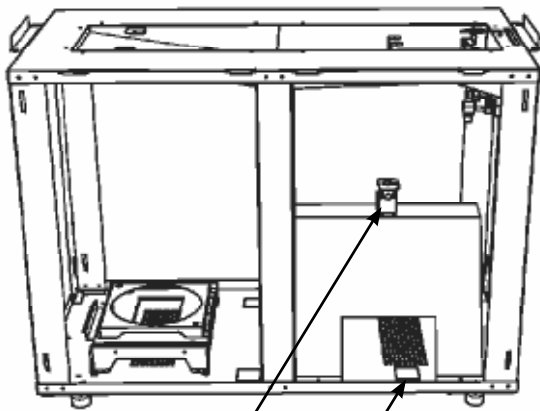
Diagram 5

Coffee table unit only



Access for Hard line (knockout) / Location to install regulator
Diagram 6

Island and Cocktail table units



regulator / Access for Hard line (knockout)
Diagram 7

6. Remove LP tank and LP hose from valve.
7. Install regulator bracket onto unit base with 2 screws. Connect flex line to regulator—position regulator onto bracket.
8. Secure regulator in position with top bracket - secure with 2 screws.

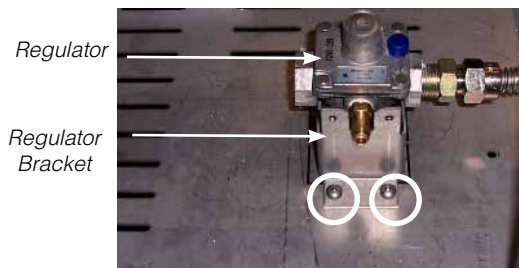


Diagram 8

NOTE: Top bracket to sit over top of lower bracket. Attach supplied "MAX. 0.5 PSI" sticker to top bracket.

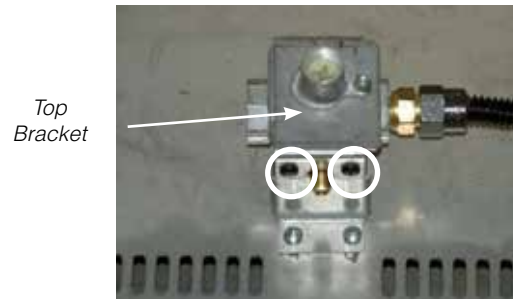


Diagram 9

9. Remove connector from end of flex line.



Diagram 10

Remove connector

10. Connect flex line to valve fitting.



Diagram 11

Connect flex line to valve

11. Bring gas to appliance. The connector removed in previous steps can be used on the inlet side of the regulator.

12. Check all gas connections (at valve, regulator, and LP outlet) under normal operating pressure, for leaks, with soapy water.

NOTE: If soap bubbles, this would indicate a gas leak.

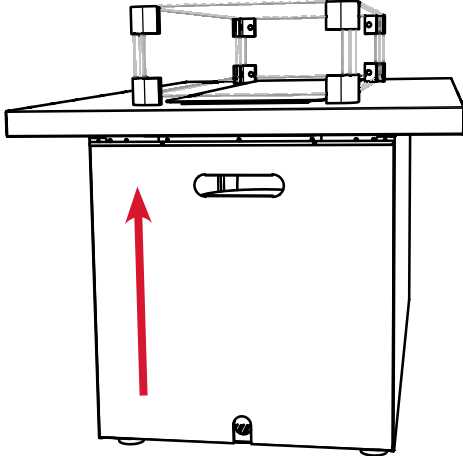
13. Check inlet and outlet pressures.

14. Reinstall panels.

LP TANK INSTALLATION

NOTE: Max. tank size 11lb.

1. Lift up and remove end panel (opposite end of gas knob).



2. Loosen butterfly bolt to allow LP tank to be seated on the holder.



3. Seat tank on tray and tighten butterfly bolt to secure tank to tray.



4. Connect the LP regulator quick connect to the tank. Locate the hose away from pathways where people may trip over it and away from areas where the hose may be subject to accidental damage.



Gas connection @ tank

5. Check all gas connections (both valve train & LP tank) under normal operating pressure, for leaks, with soapy water.

NOTE: If soap bubbles, this would indicate a gas leak.

IMPORTANT:

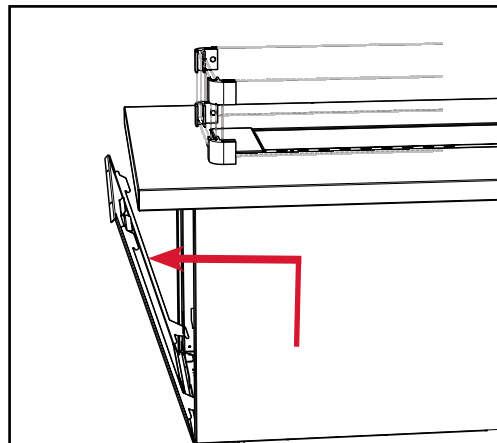
PTO30 CFT (Coffee table only)
To avoid tank pressure regulator freezing - when using an 11LB LP tank, it is recommended the appliance is run on low (turned down 30%).

WARNING!

When using a LP tank - a minimum 1"(25mm) gap **must be maintained** at all times, between the floor and base of unit.
(Refer to owners manual)

919-031

Note: To turn off gas at LP tank source, lift up panel with handle and tilt forward to access control.



WARNING!

The cylinder hose must be inspected for damage or cracks before each use of the appliance. The hose assembly must be replaced prior to the appliance being put into operation if there is evidence of excessive abrasion or wear or if the hose is damaged. If replacement is required, it must be replaced with FPI part number 911-089.

The hose must be located away from sharp edges and away from pathways where people may trip over it or in areas where the hose may be subject to accidental damage.

The burner must be inspected annually before being put into service. If damage is evident during inspection, the burner must be replaced with FPI part number 378-526 prior to the appliance being put into operation.

TABLE TOP INSTALLATION

Before installation, stainless steel must be handled and cleaned as per instructions noted below:

Stainless Steel Table Top

• Stainless table top must be inspected for scratches and dimples prior to installation. All claims to be recorded at this time. Claims for damage after installation will not receive consideration.

• **To protect the finish during installation and handling** - cotton gloves **MUST** be worn at all times while handling the panels (even when removing protective coating).

• Stainless table top will discolor a little during normal operation. This is normal and should not be considered a defect.

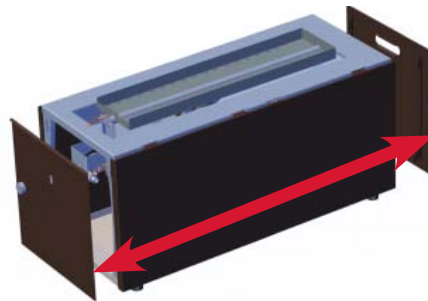
* All hand and finger marks **MUST** be cleaned off with a soft cloth and a stainless steel cleaner. Most stainless steel cleaners leave a film/residue on the surface of the panels. Use an ammonia based cleaner (ie. glass cleaner) to remove this film before applying heat to the unit. **Failure to do this will result in burn stains on table top which you will be unable to remove.** Not protected by product warranty.

NOTE: These instructions apply to both the stainless steel and sunset bronze table tops.

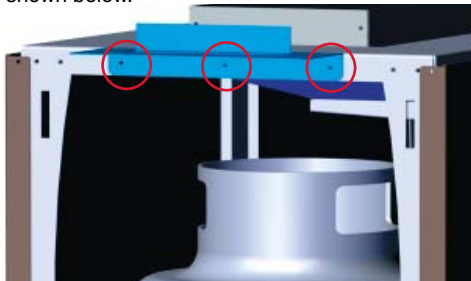
NOTE: Coffee table unit shown below, instructions also apply to built-in burner.

Two brackets need to be installed before installing the Table Top.

1. Remove end panels and gas knob, by pulling off.



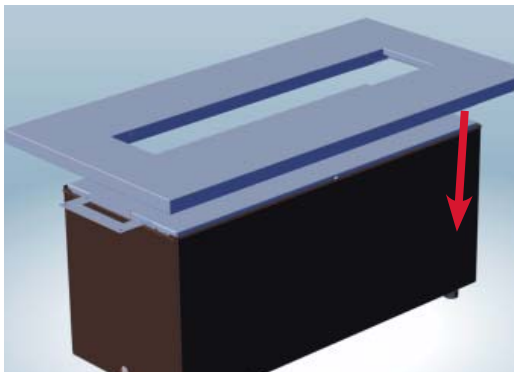
2. Install Table Top bracket (on each end) with 3 screws to unit as shown below.



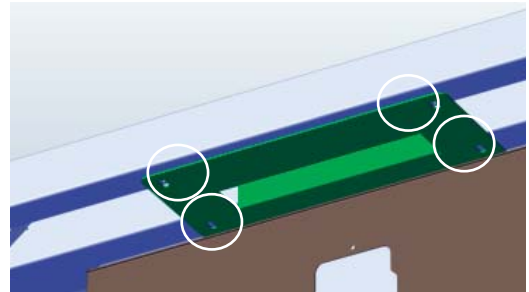
3. Reinstall end panels and gas knob.

4. Repeat Step 1 and 2 on other side.

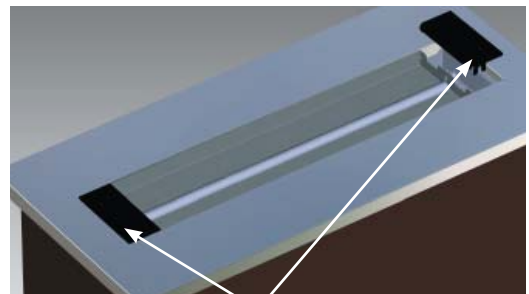
5. Place Table Top on Unit.



6. Secure table to unit from underside (on each end), with 4 screws in locations shown below.

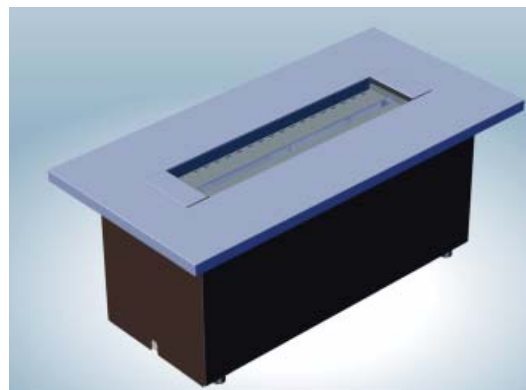


7) Place end caps over pilot and opposite end to complete installation.



End Caps

8) To remove - reverse steps 7-5.



Final Install

GLASS CRYSTAL / BASALT VOLCANIC STONES INSTALLATION

Evenly spread the Glass Crystals and optional Basalt Volcanic Stones over the burner. Ensure the crystals (or stones) do not overlap too much as this will effect the flame pattern.

IMPORTANT NOTE:

Only the supplied approved Glass Crystals and Basalt Volcanic stones are to be used with these fireplaces. Use of any other type of glass crystals or stones can alter the unit's performance, any damage caused by the use of any unapproved glass or stones will not be covered under warranty.

When using Basalt Volcanic Stones DO NOT cover pilot light that lead to pilot flame.

Do not add Basalt Volcanic Stones when using driftwood log set.

BURNER PACKAGES		
Unit	Glass Crystals Only	*Glass Crystals + Volcanic stones ¹
Plateau Series	10 lbs	5lb glass + 1 box stones- recommended
<p>NOTE: * Glass Crystals are available in 1lb and 5lb bags. ¹ Glass Crystals to be installed on the burner prior to installing stones. Basalt Volcanic Stones are measured by weight not quantity. Each bag contains 15 lbs of stones, however the exact quantity and size vary. Sizes vary between 2" - 3"</p>		



1. Start pouring Crystals on one end of the burner.



2. Work Crystals to other end of the Burner. Base and burner tube should not be visible when crystals are spread out.



3. Work Crystals downwards to front edge of top edge of burner.



4. Basalt Volcanic Stones shown spread evenly over the burner and crystal base.



5. Ensure Crystals do not block the front of the thermocouple.

NOTE: Correct final glass installation of Crystals as shown in step 2 and 3. The Burner should not be visible when the flame is out.

NOTE: Basalt Volcanic Stones are **NOT** to be placed anywhere on the Pilot assembly area. Glass Crystals to be installed on the burner prior to installing stones.

OPTIONAL LOG SET INSTALLATION

Read the instructions below carefully and refer to the images. If the Logs are broken do not use the unit until they are replaced. Broken Logs can interfere with pilot operation.

Install 10lbs of glass crystals or firebeads on the burner (follow glass crystal or firebead instruction sheet) before installing logs. Improper positioning of the Logs may create carbon build-up and can alter the unit's performance which is not covered under warranty.

Log kit # 326-930 contains the following pieces:

Description

- Log A
- Log B
- Log C
- Log D
- Log E
- Log F

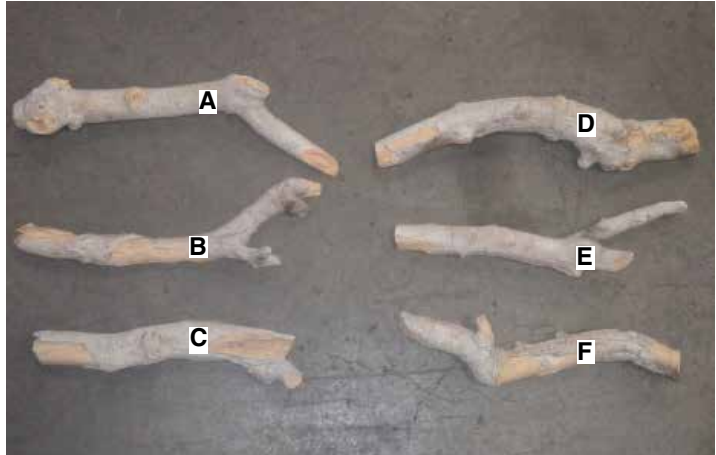


Diagram 1

- 1) Install Log A as shown below. Orient the log in the same way and in a similar location on the right side of the burner as shown in Diagram 2.



Diagram 2

- 2) Install Log D on the burner as shown below. Orient the log in the same way and in a similar location on the right side of the burner as shown in Diagram 3.



Diagram 3

- 3) Install Log E on the burner as shown below. Orient Log E across Log D in the same way and in a similar position as shown in Diagram 4.



Diagram 4

- 4) Install Log B on the left side of the burner as shown below. Orient Log B in the same way and in a similar position as shown in Diagram 5.



Diagram 5

- 5) Install Log F on the burner as shown below. Orient Log F across Log A in the same way and in a similar position as shown in Diagram 6.



Diagram 6

- 6) Install Log C on the left side of the burner as shown below. Orient Log C in the same way and in a similar position as shown in Diagram 7.



Diagram 7



Final Install

WARNING: Failure to position the parts in accordance with these diagrams or failure to use only parts specifically approved with this appliance may result in property damage or personal injury.

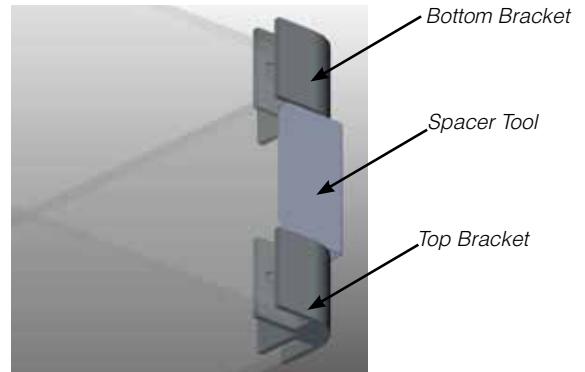
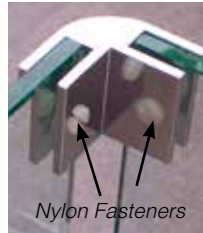
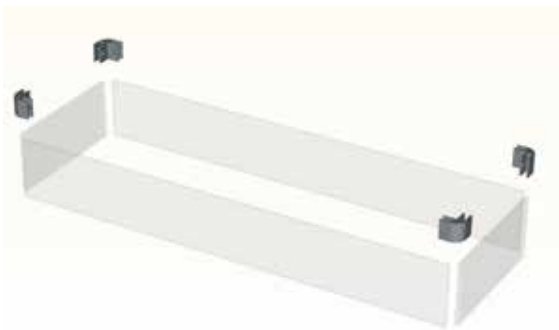
OPTIONAL GLASS SURROUND INSTALLATION

4 Piece Glass Surround

Part N° 378-932
 Overall Dimensions:
 37-15/16" long x 16-5/16" wide x 5-5/16" high

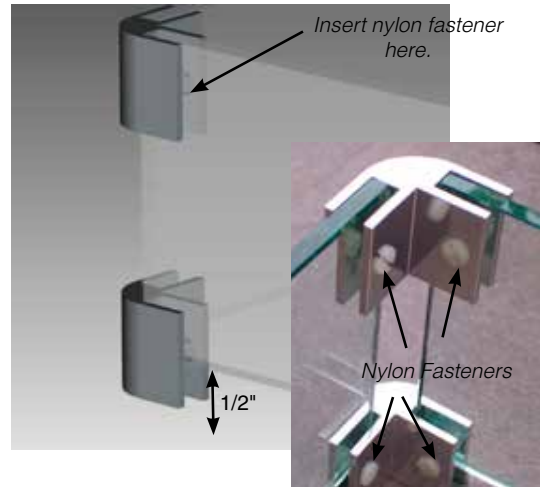
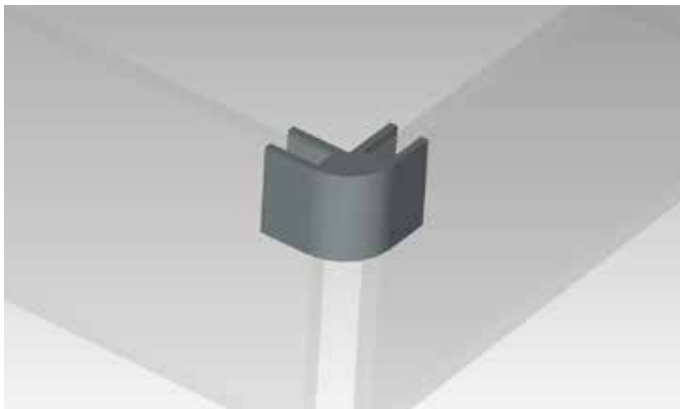
1. Remove metal fasteners from the corner brackets.
2. Assemble the 4 pieces of the glass surround/windshield and fasten together with 4 corner top brackets and supplied nylon fasteners as shown below.

- 4b. Use supplied spacer tool to determine where the bottom bracket should be placed and secured.



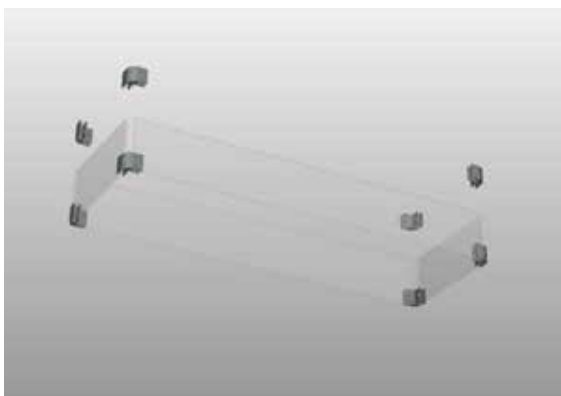
3. Using a flat screwdriver, secure 4 top corner brackets with nylon fasteners in each corner, bracket should be flush with the top of glass as shown below.

5. Secure bottom corner brackets with nylon fasteners in each corner.
6. Flip the glass back over and place on a soft surface. The glass is now right side up. The glass should be raised up 1/2" in bracket as shown below.



- 4a. After the 4 top brackets are installed - flip over and place on a soft surface, to install the 4 bottom brackets.

7. Place assembled glass surround/windshield on table top - ensure glass is centered on the table top. Once in correct position, lift up one end, apply double sided tape that has been cut to size, to the bottom of the brackets. Repeat process on other end. Press down firmly from to secure glass surround/windshield in position. Use care not to scratch surfaces.



PLATEAU® TABLE COVER INSTALLATIONS

DINING LEAF

For all units:

- 1) Place the dining leaf cover over the burner of the unit when not in use.



IMPORTANT :
The dining leaf cover must always be removed and put to the side when the appliance is used.

GLASS SURROUND COVER

For all units with glass surround installed:

1. Place the weather cover over the glass surround when not in use.



WEATHER COVER

1. Place the weather cover over the entire table - when not in use.



CAUTION:
Never start the unit with the cover on.
Let the unit cool before installing the cover.
Turn off gas supply to unit before installing cover.

OPERATING INSTRUCTIONS

1. Read and understand these instructions before operating this appliance.
2. Check to ensure there are no gas leaks.
3. Verify log placement. If the pilot cannot be seen when lighting the unit, the logs have been incorrectly positioned.
4. Have the burner inspected annually, by a qualified service technician, for defects or damage prior to using. In an event that the burner assembly needs replacement, it must be replaced by FPI part number 378-526. The burner assembly must be replaced prior to the appliance being put in to operation if it is evident that the burner is damaged.

SHUTDOWN PROCEDURE

1. Shut off gas supply to appliance.
2. Allow unit to cool—reinstall cover.

FIRST FIRE

The first fire in your decorative gas appliance is part of the paint curing process. To ensure that the paint is properly cured, it is recommended that you burn your decorative gas appliance for at least one (1) hour the first time you use it.

When first operated, the unit will release an odour caused by the curing of the paint, the burning off of any oils remaining from manufacturing.

The glass surround may require cleaning after the unit has cooled down.

DO NOT ATTEMPT TO CLEAN THE GLASS WHILE IT IS HOT.

LIGHTING PROCEDURE

1. Remove cover, if installed.
2. Turn on gas to appliance.
3. Using a long lit match or BBQ lighter, position ignition source anywhere on the burner tube.
4. Turn Gas Control Knob counter clockwise to the « ON » position - push in.
5. Once appliance is lit - hold Gas Control Knob in for an additional 30 seconds.
6. After 30 seconds - release Gas Control Knob.
If after 30 seconds appliance does not stay lit:
 - a) Push Knob in, lightly - turn clockwise to « OFF » position.
 - b) Wait 5 minutes - allow unit to cool.
 - c) Clear any obstructions around the thermocouple.
 - d) Repeat steps 3-6.



DO NOT place hand over burner when lighting.

COPY OF LIGHTING PLATE INSTRUCTIONS

The lighting plate is located on the underside of the front access panel in the unit.

FOR YOUR SAFETY READ BEFORE LIGHTING

This appliance must be installed in accordance with local codes, if any; if none, follow the National Fuel Gas Code, ANSI Z223.1/NFPA 54, or Natural Gas and Propane Installation Codes, CSA B149.1.

WARNING: If you do not follow these instructions exactly, a fire or explosion may result causing property damage, personal injury or loss of life. Improper installation, adjustment, alteration, service or maintenance can cause injury or property damage. Refer to the owner's information manual provided with this appliance. For assistance or additional information consult a qualified installer, service agency or gas supplier.

AVERTISSEMENT: Quiconque ne respecte pas à la lettre les instructions dans la présente notice risque de déclencher un incendie ou une explosion entraînant des dommages, des blessures ou la mort.

Une installation, d'ajustement, de modification, de service ou d'entretien peut provoquer des blessures ou des dommages matériels. Reportez-vous au manuel du propriétaire de l'information fournie avec cet appareil. Pour obtenir de l'aide ou des informations supplémentaires consulter un installateur qualifié, une agence de service ou fournisseur de gaz.

A) BEFORE OPERATING smell all around the appliance area for gas. Be sure to smell next to the floor because some gas is heavier than air and will settle on the floor.

WHAT TO DO IF YOU SMELL GAS

- Shut off gas to the unit.
- Extinguish any open flame.
- Do not try to light any appliance.
- Do not touch any electric switch, do not use any phone in your building.
- Immediately call your gas supplier from a neighbours phone. Follow the gas supplier's instructions.
- If you cannot reach your gas supplier, call the fire department.

B) Do not use this appliance if any part has been under water. Immediately call a qualified service technician to inspect the appliance and replace any part of the control system and any gas control which has been underwater.

A) AVANT DE FAIRE FONCTIONNER. reniflez tout autour de l'appareil pour détecter une odeur de gaz. Reniflez près du plancher, car certains gaz sont plus lourds que l'air et peuvent s'accumuler au niveau du sol.

QUE FAIRE SI VOUS SENTEZ UNE ODEUR DE GAZ :

- Fermer l'alimentation de gaz de l'appareil.
- Éteindre toute flamme nue.
- Ne pas tenter d'allumer d'appareil
- Ne touchez à aucun interrupteur; ne pas vous servir des téléphones se trouvant dans le bâtiment.
- Appelez immédiatement votre fournisseur de gaz depuis un voisin. Suivez les instructions du fournisseur.
- Si vous ne pouvez rejoindre le fournisseur, appelez le service des incendies

B) N'utilisez pas cet appareil s'il a été plongé dans l'eau, même partiellement. Faites inspecter l'appareil par un technicien qualifié et remplacez toute partie du système de contrôle et toute commande qui ont été plongés dans l'eau.

CAUTION: Hot while in operation. Do not touch. Severe Burns may result. Due to high surface temperatures keep children, clothing and furniture, gasoline and other liquids having flammable vapors away. Keep burner and control compartment clean. See installation and operating instructions accompanying appliance.

LIGHTING INSTRUCTIONS

1. Remove cover, if installed.
2. Turn on gas to appliance.
3. Using a long lit match or BBQ lighter, position ignition source anywhere on the burner tube.
4. Turn Gas Control Knob counter clockwise to the « ON » position - push in.
5. Once appliance is lit - hold Gas Control Knob in for an additional 30 seconds
6. After 30 seconds - release Gas Control Knob.


If after 30 seconds appliance does not stay lit:

- a) Push Knob in, lightly - turn clockwise to « OFF » position.
- b) Wait 5 minutes - allow unit to cool.
- c) Clear any obstructions around the thermocouple.
- d) Repeat steps 3-6.

1. Enlever le couvercle - si installé
2. Allumer l'alimentation de gaz de l'appareil.
3. Utiliser une longue allumette ou allumeur à BBQ – placez la source d'allumage au-dessus du tube de brûleur.
4. Mettre de contrôle de gaz le bouton dans le sens inverse des aiguilles d'une montre en position « ON » - pousser.
5. Une fois que l'appareil est allumé - tenez le bouton pour des 30 secondes supplémentaires.
6. Après 30 secondes, relâcher le bouton de réglage du gaz.

Si l'appareil ne s'allume pas après 30 secondes :

- a) Pousser du gaz Bouton, la légère -tourner dans le sens horaire sur " OFF " position
- b) Attendre 5 minutes - laissez l'appareil refroidir.
- c) Éliminez tous les obstacles autour du thermocouple
- d) Répéter les étapes 3 à 6.



DO NOT place hand over burner when lighting.

NE PAS mettre la main sur le brûleur pendant l'allumage.

TO TURN OFF GAS APPLIANCE


1. Shut off gas supply to appliance.
2. Allow unit to cool to room temperature
3. Reinstall cover.

1. Fermer l'alimentation de gaz de l'appareil
2. Laisser l'appareil refroidir à la température ambiante.
3. Remettre le couvercle.

DO NOT REMOVE THIS INSTRUCTION PLATE

919-329

MAINTENANCE INSTRUCTIONS

1. Always turn off the gas valve and tank before cleaning. For relighting, refer to lighting instructions. Keep the burner and control compartment clean by brushing and vacuuming at least once a year. When cleaning the logs, use a soft clean paint brush as the logs are fragile and easily damaged.
 2. Clean off leaves etc. before burning.
 3. Clean appliance with a damp cloth (never when unit is hot). Never use an abrasive cleaner. The glass should be cleaned with a outdoor decorative gas appliance glass cleaner.
 4. Hand and finger marks should be cleaned off with a soft cloth and a stainless steel cleaner. Most stainless steel cleaners leave a film/residue on the surface of the panels. Use an ammonia based cleaner (ie. glass cleaner) to remove this film before applying heat to the unit. Failure to do this will result in burn stains on panels which you will be unable to remove.
 5. Make a periodic check of burner for proper position and condition. Visually check the flame of the burner periodically, making sure the flames are steady; not lifting or floating. If there is a problem, call a qualified service person.
- 
6. The appliance must be inspected before use, and at least annually, by a qualified field service person, to ensure that the flow of combustion and ventilation air is not obstructed.
 7. Do not use this appliance if the valve and/or electronic components have been or are submerged under water. Immediately call a qualified service technician to inspect the appliance and to replace any part of the control system and any gas control which has been under water. This is not covered under the terms of the warranty policy.
 8. Verify operation after servicing.

THERMOCOUPLE REPLACEMENT

Turn the unit and gas off - allow to cool to room temperature. Remove cover, glass crystals, rocks or logs, if installed.

1. Remove 2 end caps from burner - located at gas knob end of unit.

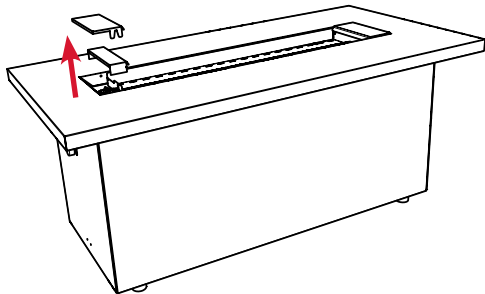


Diagram 1
Remove end caps

2. Remove front nut securing thermocouple in place. Maneuver thermocouple up out of slot, then push down into the unit.

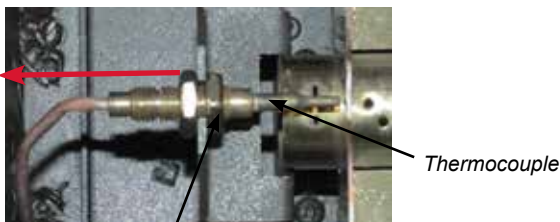


Diagram 2
Remove front nut

3. Remove panel with gas knob (see instructions in Gas Connection in this manual). Loosen nut to release thermocouple.



Diagram 3
Loosen nut to remove thermocouple

4. Replace thermocouple and ensure correct placement - apply silicone to seal where thermocouple comes through unit.



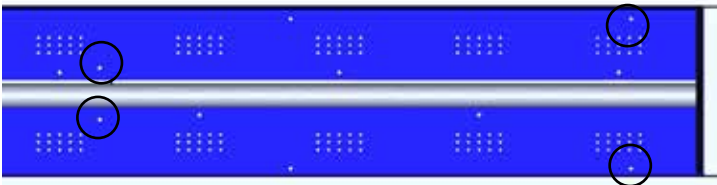
Diagram 4
Correct thermocouple placement

5. Reverse Steps 3 - 1 to reassemble unit.

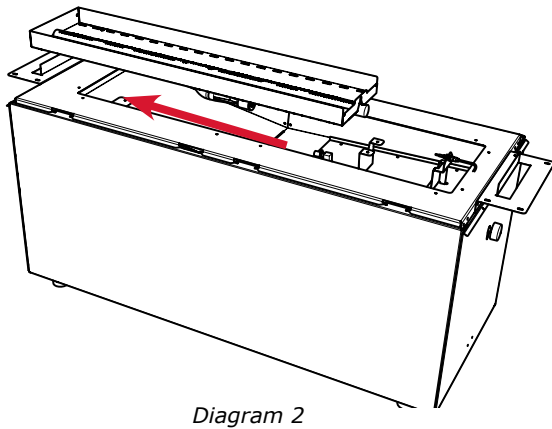
VALVE ASSEMBLY REPLACEMENT

**Turn the unit off and allow to cool to room temperature.
Remove leaf cover, glass crystals, rocks or logs if installed.
Remove Table Top - see instructions in this manual.**

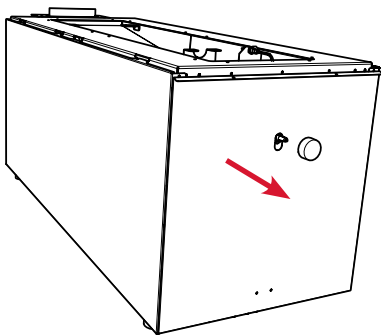
1. Remove burner by removing 4 screws in locations shown below. If glass crystals are installed, move the crystals out of the way to reveal screws.



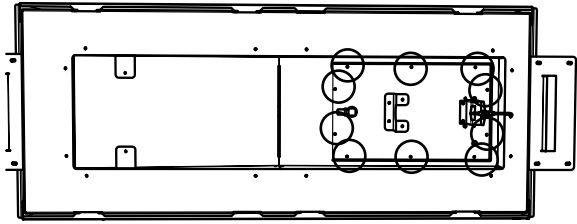
2. Slide burner to the left, away from the pilot orifice and lift out.



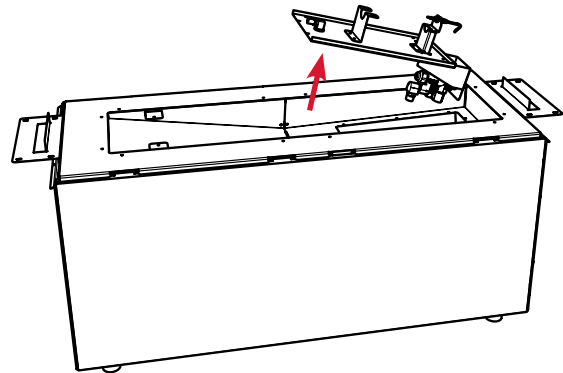
3. Remove gas knob by pulling off.



4. Remove ten (10) screws (in locations shown below) to remove valve assembly.



5. Angle valve assembly slightly to manoeuvre up and out.



6. Replace gasket if required.

7. Replace with new valve assembly.

8. Install gas knob removed in Step 3.

9. Reverse step 2-1 to reinstall.

GAS MAINTENANCE

In order for your Regency appliance to continue to provide comfort to your home periodic maintenance must be performed to ensure it is operating at peak efficiency. The items in the list should be checked by a licensed gas service technician during the annual service check. Your unit may require more frequent maintenance checks if you notice any changes in how it operates. Operational changes to look for can include, but are not limited to, extended start up time, increased fan noise, residue/carbon build up, white build up on the glass/firebox, increased operating noise etc. Should any of these or other conditions arise, discontinue use and schedule a service check with your local licensed gas technician. The list below shows items your licensed service technician will need to check and service at least annually.

Clean

- Glass
- Interior bricks / panels
- Burner ports & burner air shutter
- Fan blades
- Log set
- Pilot orifices
- Pilot hood (change as needed)
- Flame sensor (electronic ignition models)
- Flame electrode
- Burner orifice
- Thermocouple (millivolt models)
- Thermopile (millivolt models)

Inspect

- Pilot assembly
- Burner
- Pressure relief gaskets/doors
- Flue connector gasket if present
- Door seal
- Firebox
- Venting
- Batteries (remote handheld, remote receiver, DC sparker, change as needed)
- Burner media (change as needed)
- Air shutter setting
- Wiring

Check

- Voltage on thermocouple/thermopile (millivolt models)
- Ohms reading on flame sense (electronic ignition models)
- Inlet/outlet fuel pressures as per rating plate
- Voltage/ohms readings on gas valve
- Ohms reading to on/off switch circuit (Millivolt models)

Gas Leak Tests

- Check main gas line connection to valve
- Check shut off valve connections
- Check connection at gas valve outlet
- Check connection at main burner orifice
- Check pilot fuel line at valve and at pilot assembly

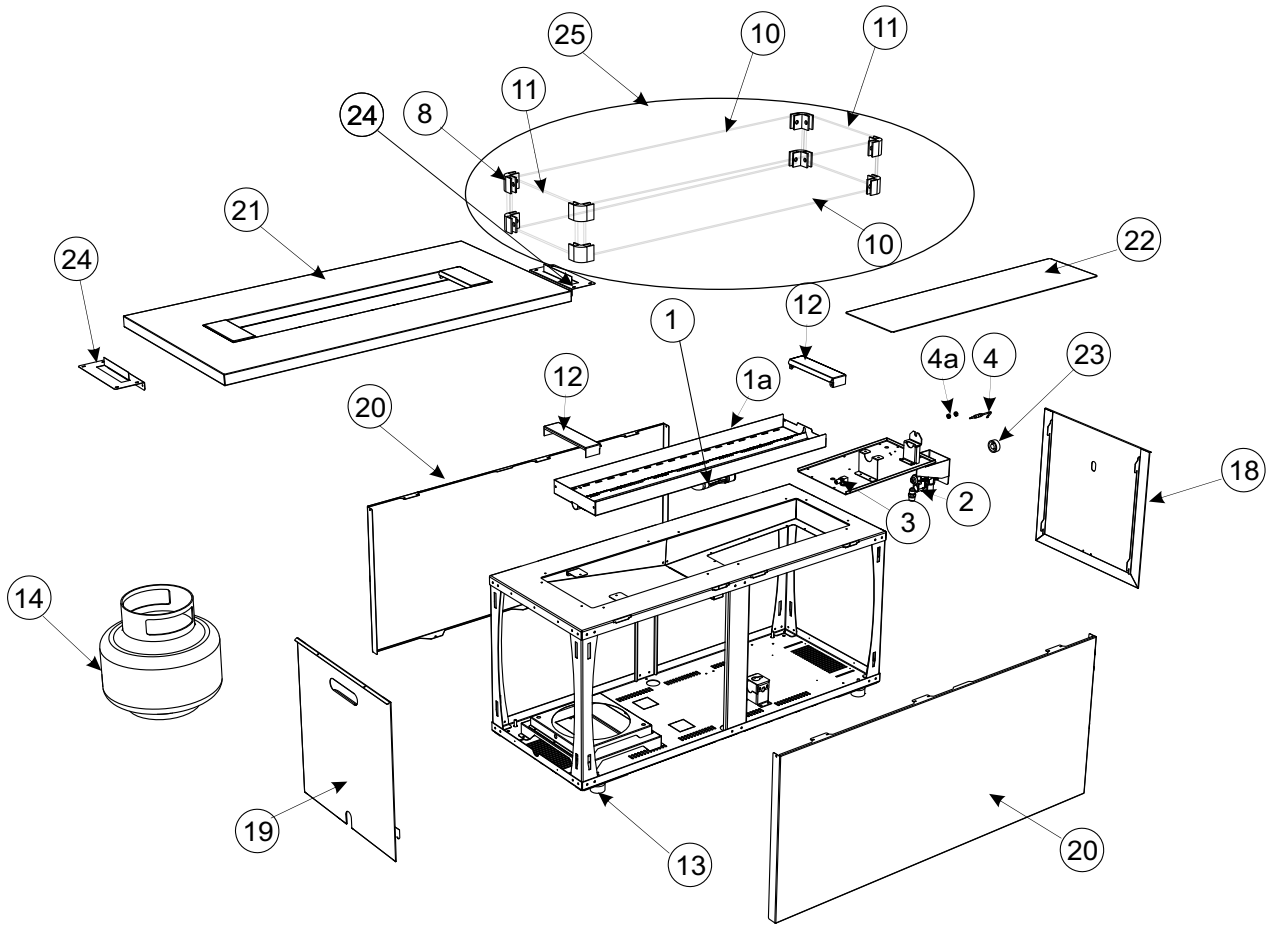
PARTS

Part #	Description	Part #	Description
1	378-526 Burner Assembly LP/NG	8	948-053 Glass connectors (ea)
1a	378-010 Burner Tray	10	940-374/P Tempered Glass (LG)
2	911-151 Copreci Valve - LP/NG	11	940-532/P Tempered Glass (SM)
3	904-989 Orifice #23 - NG	*	904-952 Nylon screw (each)
	904-655 Orifice #45 - LP	12	378-519 End Caps (each)
4	911-150 Thermocouple	13	948-054 Rubber Feet (each)
4a	911-153 Thermocouple Nuts	14	Propane Tank - supplied by others
*	911-135 Gas Regulator - NG Hardline	18	378-009 TCP End panel (Gas Knob End)
*	911-136 Gas Regulator - LP Hardline	19	378-013 TCP End Panel
*	911-089 Propane Regulator Hose/Tank	20	378-002 TCP Side Panels
		22	376-085-TCP Leaf Cover Sunset Bronze
		22	376-028 Leaf Cover Stainless Steel
		23	911-152 Gas Knob
		24	377-006 Mounting Bracket Table Top (each)
		*	948-223 Regency Logo Plate
		*	Not Shown
		920-281	Manual

Optional Accessories

Part #	Description
21	377-926 Table Top Sunset Bronze
21	377-927 Table Top Stainless Steel
25	378-932 Glass Windshield
*	378-968 Hardline Conversion Kit - NG
*	286-972 Hardline Conversion Kit - LP
*	326-930 Ceramic Log Set
*	376-936 Casters (Set of 4)
*	377-938 Seasonal Weather Cover
*	946-775 Fireglass Crystals - Black
*	946-776 Fireglass Crystals - Copper
*	946-777 Fireglass Crystals - Cobalt Starfire
*	946-739 Firebeads - Black
*	946-742 Firebeads Caramel Luster
*	946-741 Firebeads - Glacier Ice
*	946-710 Volcanic Stones (Slate/Grey)
*	946-711 Volcanic Stones (Ivory/Tan)

COFFEE TABLE UNIT



Limited Warranty

FPI Fireplace Products International Ltd. (for Canadian customers) and Fireplace Products U.S., Inc. (for U.S. customers) (collectively referred to herein as “FPI”) extends this Limited Warranty to the original purchaser of this appliance provided the product remains in the original place of installation. The items covered by this limited warranty and the period of such coverage is set forth in the table below.

Some conditions apply (see below).

The policy is not transferable, amendable or negotiable under any circumstances.

Outdoor Gas Products	Component Coverage		Labor Coverage
	2 years	1 year	1 year
Burner tube assembly Valve assembly Pilot assembly Flame sensor/Spark electrode	✓		✓
Ignition Control Boards	✓		✓
Wiring/Switches/Battery Pack/Batteries	✓		✓
Pilot Tube/Burner and Pilot Orifices	✓		✓
All hardware including wheels and rubber feet	✓		✓
Weather covers	✓		✓
Thermocouple		✓	✓
Electrical components		✓	✓
Tempered Glass		✓	✓
All media		✓	✓
Stainless components/ Paint/Gaskets/ All finishes/Plated Corners			

Conditions:

Warranty protects against defect in manufacture or FPI factory assembled components only, unless herein specified otherwise.

Any part(s) found to be defective during the warranty period as outlined above will be repaired or replaced at FPI’s option through an accredited distributor, dealer or pre-approved and assigned agent provided that the defective part is returned to the distributor, dealer or agent for inspection if requested by FPI. Alternatively, FPI may at its own discretion fully discharge all of its obligations under the warranty by refunding the verified purchase price of the product to the original purchaser. The purchase price must be confirmed by the original Bill of Sale.

The authorized selling dealer, or an alternative authorized FPI dealer if pre-approved by FPI, is responsible for all in-field diagnosis and service work related to all warranty claims. FPI is not responsible for results or costs of workmanship of unauthorized FPI dealers or agents in the negligence of their service work.

At all times FPI reserves the right to inspect reported complaints on location in the field claimed to be defective prior to processing or authorizing of any claim. Failure to allow this upon request will void the warranty.

All warranty claims must be submitted by the dealer servicing the claim, including a copy of the Bill of Sale (proof of purchase by you). All claims must be complete and provide full details as requested by FPI to receive consideration for evaluation. Incomplete claims may be rejected.

Replacement units are limited to one per warranty term.

Unit must be installed according to all manufacturers' instructions as per the manual.

All Local and National required codes must be met.

The installer is responsible to ensure the unit is operating as designed at the time of installation.

The original purchaser is responsible for annual maintenance of the unit, as outlined in the owner's manual. As outlined below, the warranty may be voided due to problems caused by lack of maintenance.

Repair/replacement parts purchased by the consumer from FPI after the original coverage has expired on the unit will carry a 90 day warranty, valid with a receipt only. Any item shown to be defective will be repaired or replaced at our discretion. No labor coverage is included with these parts

Exclusions:

This Limited Warranty does not extend to paint, rust or corrosion of any kind due to a lack of maintenance or improper venting, combustion air provision, corrosive chemicals (i.e. chlorine, salt, air, etc.), door or glass gasketing, or any other additional factory fitted gasketing.

Malfunction, damage or performance based issues as a result of environmental conditions, location, chemical damages, downdrafts, installation error, installation by an unqualified installer, incorrect chimney components (including but not limited to cap size or type), operator error, abuse, misuse, use of improper fuels, lack of regular maintenance and upkeep, acts of God, weather related problems from hurricanes, tornados, earthquakes, floods, lightning strikes/bolts or acts of terrorism or war, which result in malfunction of the appliance are not covered under the terms of this Limited Warranty.

FPI has no obligation to enhance or modify any unit once manufactured (i.e. as products evolve, field modifications or upgrades will not be performed on existing appliances).

This warranty does not cover dealer travel costs for diagnostic or service work. All labor rates paid to authorized dealers are subsidized, pre-determined rates. Dealers may charge homeowner for travel and additional time beyond their subsidy.

Any unit showing signs of neglect or misuse will not be covered under the terms of this warranty policy and may void this warranty. This includes units with rusted or corroded fireboxes which have not been reported as rusted or corroded within three (3) months of installation/purchase.

Units which show evidence of being operated while damaged, or with problems known to the purchaser and causing further damages will void this warranty.

Units where the serial no. has been altered, deleted, removed or made illegible will void this warranty.

Minor movement, expansion and contraction of the steel is normal and is not covered under the terms of this warranty.

FPI is not liable for the removal or replacement of facings or finishing in order to repair or replace any appliance in the field.

Freight damages for products or parts are not covered under the terms of the warranty.

Products made or provided by other manufacturers and used in conjunction with the FPI appliance without prior authorization from FPI may void this warranty.

Limitations of Liability:

The original purchaser’s exclusive remedy under this warranty, and FPI’s sole obligation under this warranty, express or implied, in contract or in tort, shall be limited to replacement, repair, or refund, as outlined above. IN NO EVENT WILL FPI BE LIABLE UNDER THIS WARRANTY FOR ANY INCIDENTAL OR CONSEQUENTIAL COMMERCIAL DAMAGES OR DAMAGES TO PROPERTY. TO THE EXTENT PERMITTED BY APPLICABLE LAW, FPI MAKES NO EXPRESS WARRANTIES OTHER THAN THE WARRANTY SPECIFIED HEREIN. THE DURATION OF ANY IMPLIED WARRANTY IS LIMITED TO DURATION OF THE EXPRESSED WARRANTY SPECIFIED ABOVE. IF IMPLIED WARRANTIES CANNOT BE DISCLAIMED, THEN SUCH WARRANTIES ARE LIMITED IN DURATION TO THE DURATION OF THIS WARRANTY.

Some U.S. states do not allow limitations on how long an implied warranty lasts, or allow exclusion or limitation of incidental or consequential damages, so the above limitations or exclusions may not apply to you.

Customers located outside the U.S. should consult their local, provincial or national legal codes for additional terms which may be applicable to this warranty.

How to Obtain Warranty Service:

Customers should contact the authorized selling dealer to obtain warranty service. In the event the authorized selling dealer is unable to provide warranty service, please contact FPI by mail at the address listed below. Please include a brief description of the problem and your address, email and telephone contact information. A representative will contact you to make arrangements for an inspection and/or warranty service.

Canadian Warrantor:

FPI Fireplace Products International Ltd.
6988 Venture St.
Delta, British Columbia
Canada, V4G 1H4

U.S. Warrantor:

Fireplace Products U.S., Inc.
PO Box 2189 PMB 125
Blaine, WA
United States, 98231

Or contact the Regency Customer Care Centre at 1-800-442-7432 (phone)/604-946-4349 (fax)

Product Registration and Customer Support:

Thank you for choosing a Regency Fireplace. Regency strives to be a world leader in the design, manufacture, and marketing of hearth products. To provide the best support for your product, we request that you complete a product registration form at <http://www.regency-fire.com/Customer-Care/Warranty-Registration.aspx> within ninety (90) days of purchase.



Product Registration and Customer Support:

Thank you for choosing a Regency Fireplace. Regency strives to be a world leader in the design, manufacture, and marketing of hearth products. To provide the best support for your product, we request that you complete a product registration form found on our Web Site under Customer Care within ninety (90) days of purchase.

For purchases made in **CANADA or the UNITED STATES:**

<http://www.regency-fire.com/Customer-Care/Warranty-Registration.aspx>

For purchases made in **AUSTRALIA:**

<http://www.regency-fire.com.au/Customer-Care/Warranty-Registration.aspx>

You may also complete the warranty registration form below to register your Regency Fireplace Product and mail and/or fax it back to us, and we will register the warranty for you. It is important you provide us with all the information below in order for us to serve you better.

Warranty Registration Form (or Register online immediately at the above Web Site):

Warranty Details	
Serial Number (required):	
Purchase Date (required) (mm/dd/yyyy):	
Product Details	
Product Model (required):	
Dealer Details	
Dealer Name (required):	
Dealer Address:	
Dealer Phone #:	
Installer:	
Date Installed (mm/dd/yyyy):	
Your Contact Details (required)	
Name:	
Address:	
Phone:	
Email:	

For purchases made in **CANADA:**

FPI Fireplace Products International Ltd.
6988 Venture St.
Delta, British Columbia
Canada, V4G 1H4

Phone: 604-946-5155
Fax: 1-866-393-2806

For purchases made in the **UNITED STATES:**

Fireplace Products US, Inc.
PO Box 2189 PMB 125
Blaine, WA
United States, 98231

Phone: 604-946-5155
Fax: 1-866-393-2806

For purchases made in **AUSTRALIA:**

Fireplace Products Australia Pty Ltd
99 Colemans Road
Dandenong South, Vic. 3175
Australia

Phone: +61 3 9799 7277
Fax: +61 3 9799 7822

For fireplace care and tips and answers to most common questions please visit our Customer Care section on our Web Site. Please feel free to contact your selling dealer if you have any questions about your Regency product.



PTO30CFT

Installer: Please complete the following information

Dealer Name & Address: _____

Installer: _____

Phone #: _____

Date Installed: _____

Serial #: _____