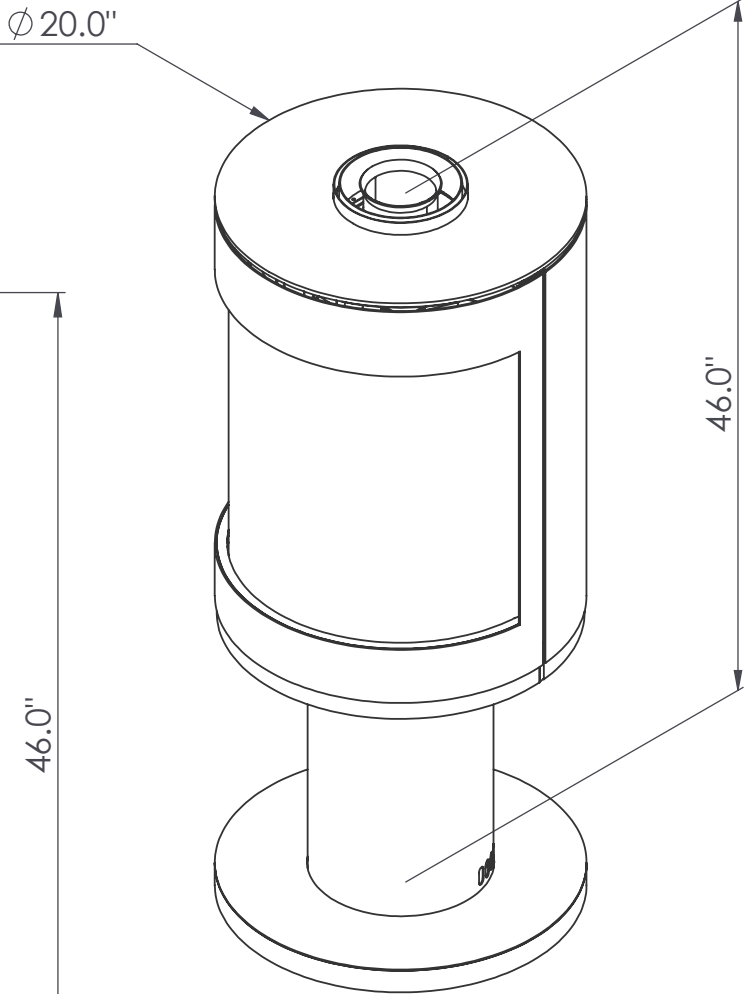
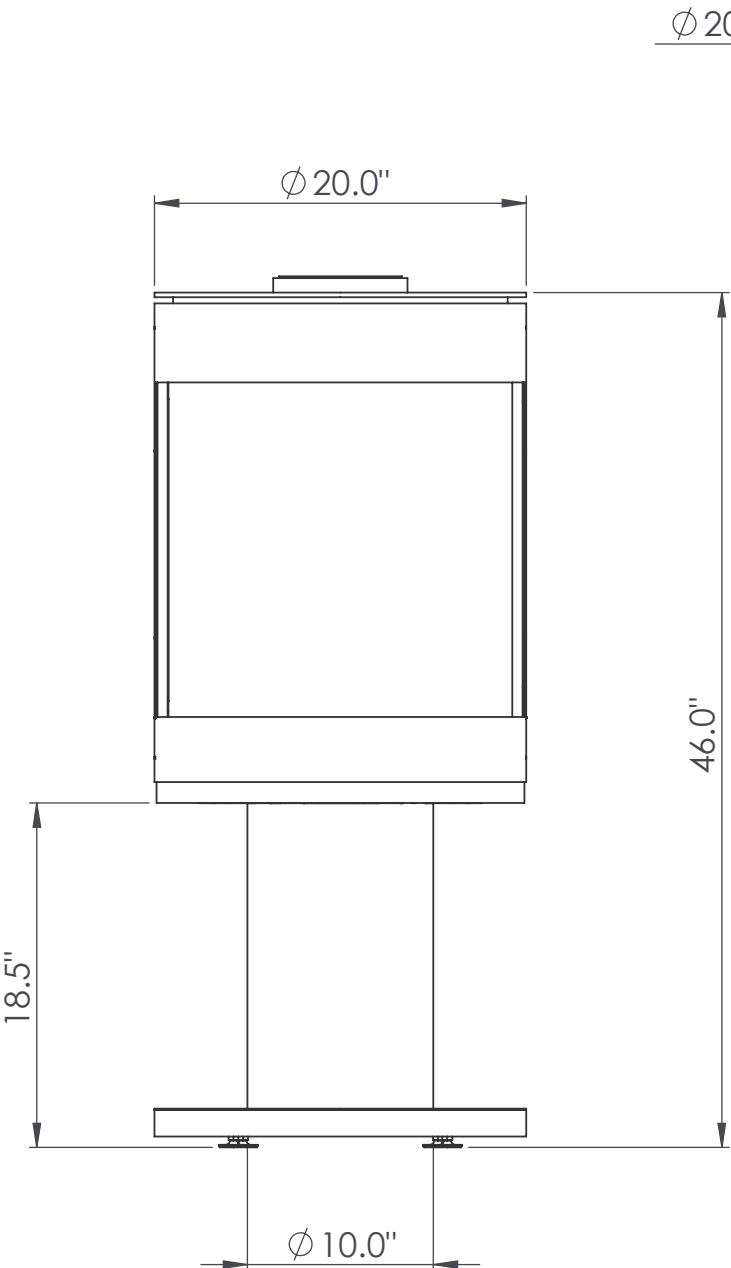


S50 Dimensions



Clearance to Combustibles

Minimum side clearance	12"
Minimum rear clearance	3"
Minimum ceiling height from stove top	16"
Minimum alcove width	48"
Center of vent to side wall	22"

Measurements are approximate please consult owners manual for details.