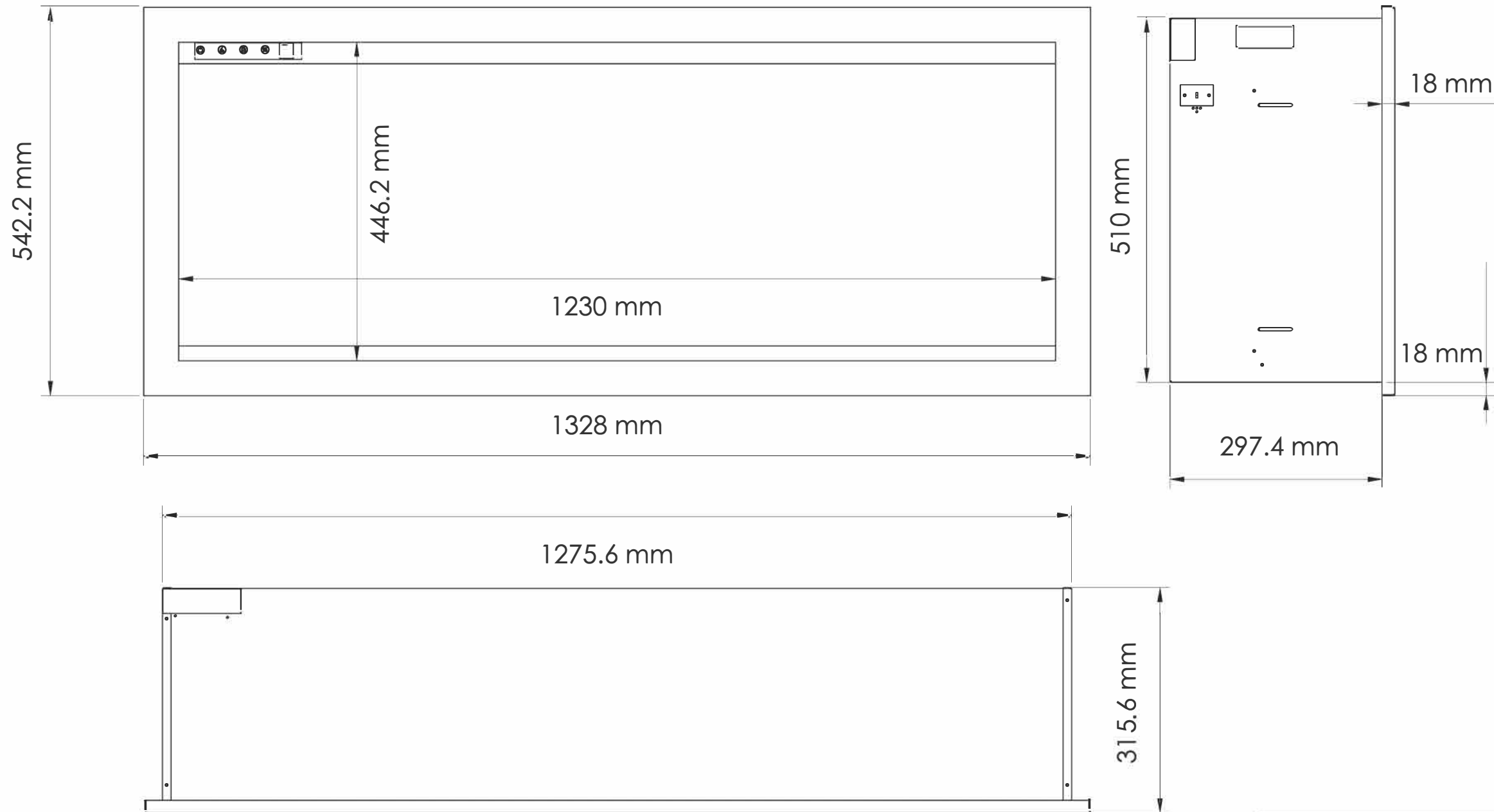


TECHNICAL SPECIFICATIONS		
VOLTS		120
AMPS		12.5
WATTS		1465
HEATER	HIGH	1465 watts
	LOW	750 watts
NO HEATER		42.7 watts
LAMPS	QUANTITY	max
	WATTS	LED
	TOTAL WATTS	28 watts
ROTOR MOTOR		1 at 2.9watts
HEIGHT, WIDTH, DEPTH		20 1/8 x 50 1/4 x 11 3/4
GLASS VIEWING OPENING		17 5/8 x 48 3/8
SURROUND SIZE		21 3/8 x 52 1/4
SHIPPING SIZE		23 3/4 x 56 1/2 x 16
SHIPPING WEIGHT		110.14 lbs
	UNIT	
	STEEL FRONT	Included
PLUG LOCATION		Left Side
CORD LENGTH		76"
APPROX. HEATING AREA		400 sq ft

09.18.21 - rev

Amantii
SYMMETRY XT BESPOKE

SERIES SYMMETRY	MODEL SYM-50-XT BESPOKE		REV 1
SCALE 1" = 1'-0"	DATE: 0725/21		SHEET 1 OF 1



TECHNICAL SPECIFICATIONS		
VOLTS	120	
AMPS	12.5	
WATTS	1465	
HEATER	HIGH	1465 watts
	LOW	750 watts
NO HEATER	42.7 watts max	
LAMPS	QUANTITY	LED
	WATTS	
	TOTAL WATTS	28 watts
ROTOR MOTOR	1 at 2.9 watts	
HEIGHT, WIDTH, DEPTH	51 x 127.6 x 29.7 cm	
GLASS VIEWING OPENING	44.6 x 123 cm	
SURROUND SIZE	54.2 x 132.8 cm	
SHIPPING SIZE	40.6 x 143.1 x 60 cm	
SHIPPING WEIGHT	49.95kg	
GLASS FRONT	UNIT	
		Included
PLUG LOCATION	Left Side	
CORD LENGTH	193 cm	
APPROX. HEATING AREA	37 sqm	

09.18.21 -rev

Amantii
SYMMETRY XT BESPOKE

SERIES SYMMETRY	MODEL SYM-50-XT BESPOKE		REV 1
SCALE 1:12	DATE: 07/25/2021		SHEET 1 OF 1